



pipe individually, Length 400 mm, accessory for signaling columns, with diameters 50 mm and 70 mm

Figure similar

product brand name	SIRIUS
product designation	Pipe
General technical data	
reference code according to EN 61346-2	U
Enclosure	
height	400 mm
width	25 mm
material	aluminum
color	silver
length of the mounting tube	400 mm
Approvals Certificates	
General Product Approval	Maritime application



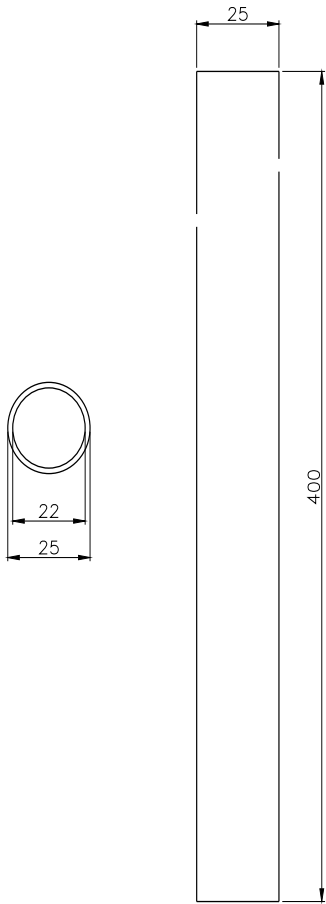
[Confirmation](#)



other	Environment
Confirmation	Confirmation
	Environmental Confirmations
	

Further information

- Information on the packaging
<https://support.industry.siemens.com/cs/ww/en/view/109813875>
- Information for data generation and storage
<https://support.industry.siemens.com/cs/ww/en/view/109995012>
- Information- and Downloadcenter (Catalogs, Brochures,...)
<https://www.siemens.com/ic10>
- Industry Mall (Online ordering system)
<https://mall.industry.siemens.com/mall/en/en/Catalog/product?mlfb=8WD4308-0EB>
- Cax online generator
<https://support.automation.siemens.com/WW/CAXorder/default.aspx?lang=en&mlfb=8WD4308-0EB>
- Service&Support (Manuals, Certificates, Characteristics, FAQs,...)
<https://support.industry.siemens.com/cs/ww/en/ps/8WD4308-0EB>
- Image database (product images, 2D dimension drawings, 3D models, device circuit diagrams, EPLAN macros, ...)
https://www.automation.siemens.com/bilddb/cax_de.aspx?mlfb=8WD4308-0EB&lang=en



last modified:

2/12/2026 