



pipe individually, Length 250 mm, accessory for signaling columns, with diameters 50 mm and 70 mm

Figure similar

product brand name	SIRIUS
product designation	Pipe
<b>General technical data</b>	
reference code according to EN 61346-2	U
<b>Enclosure</b>	
height	250 mm
width	25 mm
material	aluminum
color	silver
length of the mounting tube	250 mm
<b>Approvals Certificates</b>	
General Product Approval	Maritime application



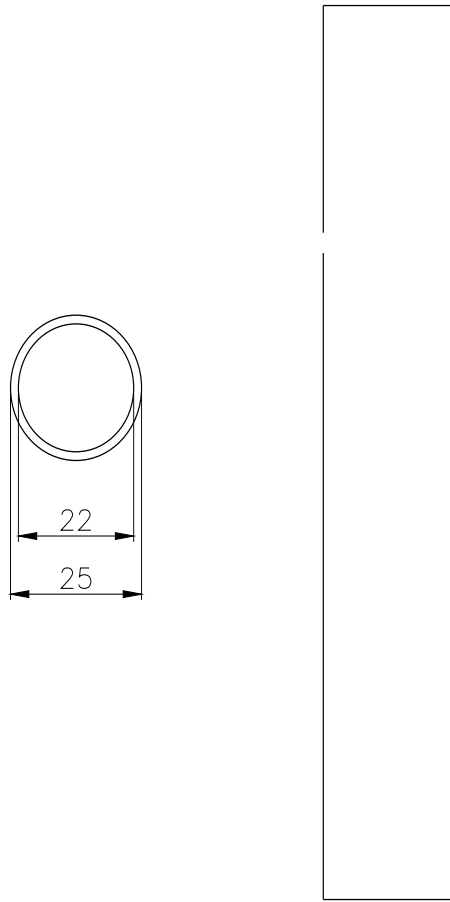
[Confirmation](#)



other	Environment
<a href="#">Confirmation</a>	<a href="#">Confirmation</a>
	<a href="#">Environmental Confirmations</a>
	

**Further information**

- Information on the packaging  
<https://support.industry.siemens.com/cs/ww/en/view/109813875>
- Information for data generation and storage  
<https://support.industry.siemens.com/cs/ww/en/view/109995012>
- Information- and Downloadcenter (Catalogs, Brochures,...)  
<https://www.siemens.com/ic10>
- Industry Mall (Online ordering system)  
<https://mall.industry.siemens.com/mall/en/en/Catalog/product?mlfb=8WD4308-0EA>
- Cax online generator  
<https://support.automation.siemens.com/WW/CAXorder/default.aspx?lang=en&mlfb=8WD4308-0EA>
- Service&Support (Manuals, Certificates, Characteristics, FAQs,...)  
<https://support.industry.siemens.com/cs/ww/en/ps/8WD4308-0EA>
- Image database (product images, 2D dimension drawings, 3D models, device circuit diagrams, EPLAN macros, ...)  
[https://www.automation.siemens.com/bilddb/cax\\_de.aspx?mlfb=8WD4308-0EA&lang=en](https://www.automation.siemens.com/bilddb/cax_de.aspx?mlfb=8WD4308-0EA&lang=en)



---

last modified:

4/1/2025 