

foot individually, plastic, for floor mounting, without pipe, accessory for signaling columns, with diameter 50 mm



product brand name	SIRIUS
product designation	Foot for floor mounting
General technical data	
reference code according to EN 61346-2	U
Enclosure	
height	37 mm
width	70 mm
material	PA
color	black
fastening method	floor mounting
Ambient conditions	
ambient temperature during operation	-20 ... +50 °C
Approvals Certificates	
General Product Approval	other



[Confirmation](#)



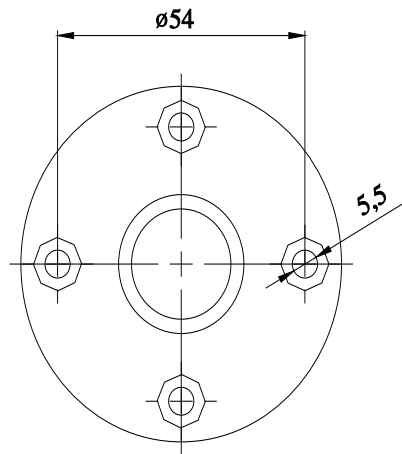
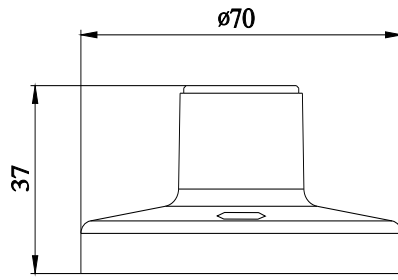
[Confirmation](#)

[Confirmation](#)

other	Environment
	Environmental Confirmations 

Further information

- Information on the packaging
<https://support.industry.siemens.com/cs/ww/en/view/109813875>
- Information for data generation and storage
<https://support.industry.siemens.com/cs/ww/en/view/109995012>
- Information- and Downloadcenter (Catalogs, Brochures,...)
<https://www.siemens.com/ic10>
- Industry Mall (Online ordering system)
<https://mall.industry.siemens.com/mall/en/en/Catalog/product?mlfb=8WD4208-0DE>
- Cax online generator
<https://support.automation.siemens.com/WW/CAXorder/default.aspx?lang=en&mlfb=8WD4208-0DE>
- Service&Support (Manuals, Certificates, Characteristics, FAQs,...)
<https://support.industry.siemens.com/cs/ww/en/ps/8WD4208-0DE>
- Image database (product images, 2D dimension drawings, 3D models, device circuit diagrams, EPLAN macros, ...)
https://www.automation.siemens.com/bilddb/cax_de.aspx?mlfb=8WD4208-0DE&lang=en



last modified:

4/1/2025 