



selector switch, red / yellow 48x48 mm Front plate mounting Central hole mounting 22.5mm for shaft 6x6 mm, accessory for Load disconnecter 3LD3

Model	
product brand name	SETRON
product designation	knob
degree of protection NEMA rating	other
suitability for use switch disconnecter	Yes
suitability for use circuit breaker	No
suitability for use EMERGENCY OFF switch	Yes
color	red / yellow
• of the actuating element	red / yellow
product feature can be locked in ON position	No
• Product component with axis	No
• product component restart inhibit function block	No
• product component padlock locking mechanism	No
• product component key lock	No
product feature can be locked into OFF position	Yes
number of bracket locks maximum	2
hasp thickness of the bracket locks	4 ... 6 mm
Net Weight	65.5 g

Approvals Certificates

Environment	General Product Approval
-------------	--------------------------

[Environmental Con-
firmations](#)

[Environmental Con-
firmations](#)



[Confirmation](#)



other

[Confirmation](#)



Further information

Information on the packaging
<https://support.industry.siemens.com/cs/ww/en/view/109813875>
 Information for data generation and storage
<https://support.industry.siemens.com/cs/ww/en/view/109995012>
 Information- and Downloadcenter (Catalogs, Brochures,...)

<https://www.siemens.com/lowvoltage/catalogs>

Industry Mall (Online ordering system)

<https://mall.industry.siemens.com/mall/en/en/Catalog/product?mlfb=3LD9343-7C>

Service&Support (Manuals, Certificates, Characteristics, FAQs,...)

<https://support.industry.siemens.com/cs/ww/en/ps/3LD9343-7C>

Image database (product images, 2D dimension drawings, 3D models, device circuit diagrams, ...)

https://www.automation.siemens.com/bilddb/cax_en.aspx?mlfb=3LD9343-7C

CAx-Online-Generator

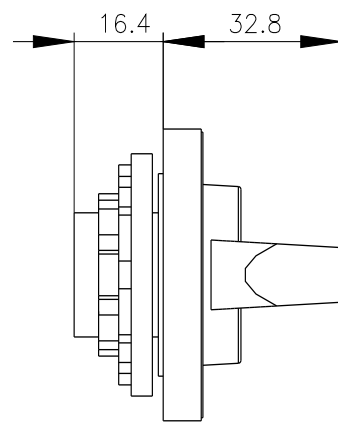
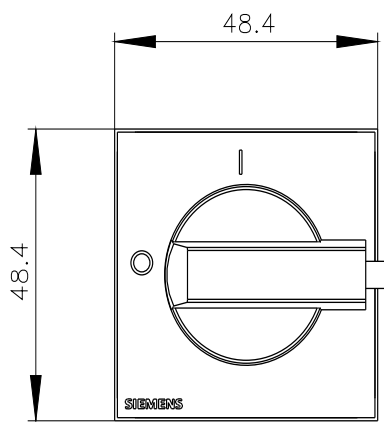
<https://www.siemens.com/cax>

Tender specifications

<https://www.siemens.com/specifications>

Characteristic curves

[https://curves.simaris.siemens.com/curves/<mmp_prod_noCOMP="HAUPT"></mmp_prod_no>](https://curves.simaris.siemens.com/curves/<mmp_prod_noCOMP=)



last modified:

3/7/2026 

