

terminal cover extended 3-pole; 1 unit accessory for: 3VA20/21/22



Model	
product brand name	SETRON
product designation	Terminal cover extended 3-pole 1 unit
design of the product	Connection method
accessories	Terminal cover

Mechanical Design	
Net Weight	150 g

Certificates	
General Product Approval	EMV

[Miscellaneous](#)



[Confirmation](#)



Maritime application	other	Environment			
----------------------	-------	-------------	--	--	--



[Miscellaneous](#)

[Confirmation](#)

[Environmental Con-
firmations](#)

[Environmental Con-
firmations](#)



Further information

Information on the packaging

<https://support.industry.siemens.com/cs/ww/en/view/109813875>

Information for data generation and storage

<https://support.industry.siemens.com/cs/ww/en/view/109995012>

Information- and Downloadcenter (Catalogs, Brochures,...)

<https://www.siemens.com/lowvoltage/catalogs>

Industry Mall (Online ordering system)

<https://mall.industry.siemens.com/mall/en/en/Catalog/product?mlfb=3VA9221-0WF30>

Service&Support (Manuals, Certificates, Characteristics, FAQs,...)

<https://support.industry.siemens.com/cs/ww/en/ps/3VA9221-0WF30>

Image database (product images, 2D dimension drawings, 3D models, device circuit diagrams, ...)

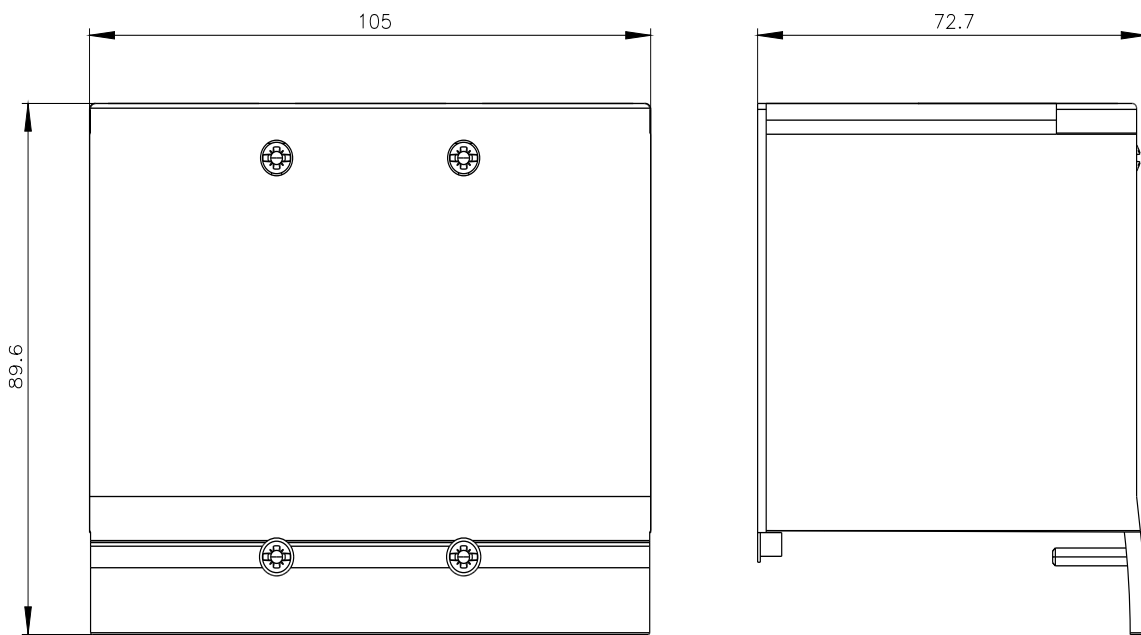
https://www.automation.siemens.com/bilddb/cax_en.aspx?mlfb=3VA9221-0WF30

CAX-Online-Generator

<https://www.siemens.com/cax>

Tender specifications

<https://www.siemens.com/specifications>



last modified:

4/6/2026 

