



control wire tap for box terminal 10 units accessory for: 3VA10/11

Model	
product brand name	SETRON
product designation	control wire tap
design of the product	Connection method
accessories	Control wire tap
General technical data	
designation / of the terminal	CW-tap for TS1.X
type of electrical connection / with control wire tap	Yes
Mechanical Design	
Net Weight	12 g
Connections according IEC	
connectable conductor cross-section	
• for copper cable / stranded / minimum	0.75 mm <sup>2</sup>
• for copper cable / stranded / maximum	2.5 mm <sup>2</sup>
stripped length	5-8 mm
tightening torque / when using copper cables	
• solid	0.75 - 2.5 mm <sup>2</sup> : 2 Nm
• finely stranded	0.75 - 2.5 mm <sup>2</sup> : 2 Nm
Connections according UL	
permissible temperature / of connectable conductor / according to UL 486A-486B	75 °C
stripped length	0.2-0.3 in
Certificates	
General Product Approval	EMV

[Miscellaneous](#)



[Confirmation](#)



Test Certificates	Maritime application	other	Environment
-------------------	----------------------	-------	-------------

[Type Test Certificates/Test Report](#)



LRS

[Miscellaneous](#)

[Confirmation](#)

[Environmental Confirmations](#)

[Environmental Confirmations](#)

**Further information**

Information on the packaging

<https://support.industry.siemens.com/cs/ww/en/view/109813875>

Information for data generation and storage

<https://support.industry.siemens.com/cs/ww/en/view/109995012>

Information- and Downloadcenter (Catalogs, Brochures,...)

<https://www.siemens.com/lowvoltage/catalogs>

Industry Mall (Online ordering system)

<https://mall.industry.siemens.com/mall/en/en/Catalog/product?mlfb=3VA9110-0WB00>

Service&Support (Manuals, Certificates, Characteristics, FAQs,...)

<https://support.industry.siemens.com/cs/ww/en/ps/3VA9110-0WB00>

Image database (product images, 2D dimension drawings, 3D models, device circuit diagrams, ...)

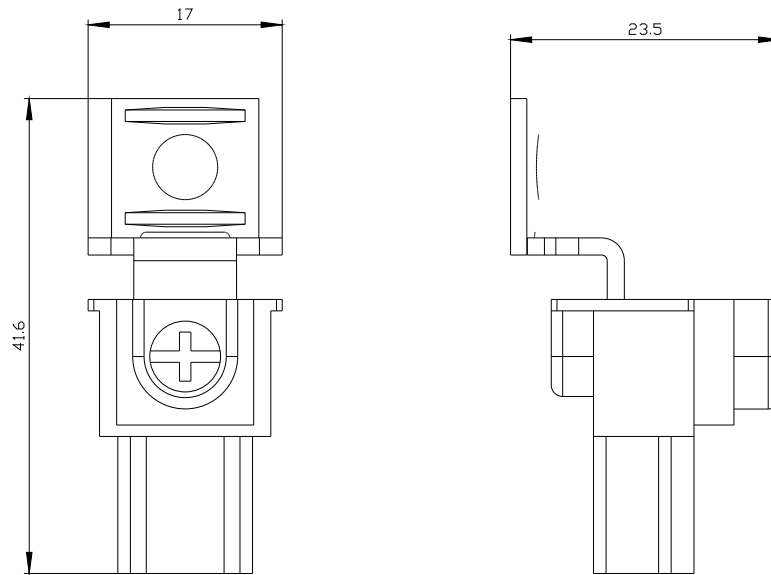
[https://www.automation.siemens.com/bilddb/cax\\_en.aspx?mlfb=3VA9110-0WB00](https://www.automation.siemens.com/bilddb/cax_en.aspx?mlfb=3VA9110-0WB00)

CAX-Online-Generator

<https://www.siemens.com/cax>

Tender specifications

<https://www.siemens.com/specifications>



last modified:

4/6/2026 

