



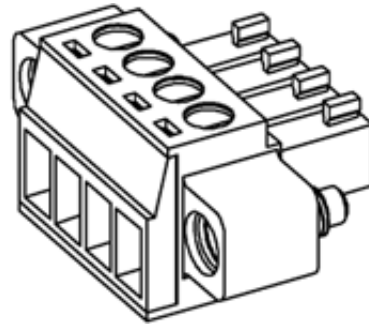
Part Number : [395045009](#)

Product Description : 3.50mm Pitch Eurostyle Horizontal Plug, with Retention Screws, Green Housing, 9 Circuits

Series Number : 39504

Status : Active

Product Category : Terminal Blocks and Barrier Strip



Documents & Resources

Drawings

[395045009_sd.pdf](#)

3D Models and Design Files

[395045009_stp.zip](#)

Specifications

[PS-39500-001-001.pdf](#)

Product Environment Compliance

Compliance

GADSL/IMDS	Not Relevant
China RoHS	Not Relevant
EU ELV	Not Relevant
Low-Halogen Status	Low-Halogen per IEC 61249-2-21
REACH SVHC	Contains Lead per D(2024)6225-DC (07 Nov 2024)
EU RoHS	Compliant with Exemption 6(c) per EU 2015/863

Multiple Part Product Compliance Statements

- Eu RoHS
- REACH SVHC
- Low-Halogen

Multiple Part Industry Compliance Documents

- IPC 1752A Class C
- IPC 1752A Class D

- Molex Product Compliance Declaration
- IEC-62474
- chemSHERPA (xml)

EU RoHS Certificate of Compliance

Part Details

General

Status	Active
Category	Terminal Blocks and Barrier Strip
Series	39504
Description	3.50mm Pitch Eurostyle Horizontal Plug, with Retention Screws, Green Housing, 9 Circuits
Application	Wire-to-Board
Component Type	Plug
Product Name	Eurostyle Pluggable
Type	PCB Terminal Blocks and Connectors
UPC	822350442947

Agency

UL	E48521
----	--------

Electrical

Current - Maximum per Contact	8.0A
Voltage - Maximum	300V

Physical

Circuits (Loaded)	9
Circuits (maximum)	9
Color - Resin	Green
Entry Angle	Vertical
Lock to Mating Part	Yes
Net Weight	17.000/g
Number of Rows	1
Orientation	N/A

Panel Mount	No
PCB Retention	N/A
Pitch - Mating Interface	3.50mm
Pitch - Termination Interface	3.50mm
Polarized to Mating Part	Yes
Stackable	No
Temperature Range - Operating	-40° to +105°C
Wire Size (AWG)	16, 18, 20, 22, 24, 26, 28, 30
Wire Size mm ²	0.05-1.31

Mates With / Use With

Mates with Part(s)

Description	Part Number
3.50mm Pitch Eurostyle Vertical PCB Headers	<u>39505</u>
3.50mm Pitch Eurostyle Horizontal PCB Headers	<u>39506</u>
Mates With	Most 3.50mm Pitch Industry Standard PCB Headers