



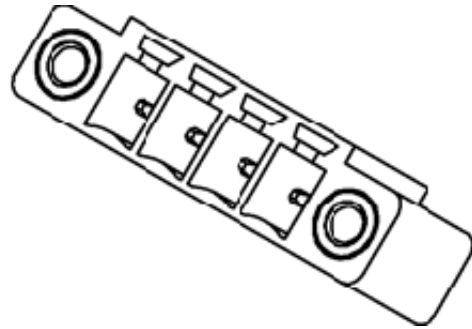
**Part Number :** [395051008](#)

**Product Description :** 3.50mm Pitch Eurostyle Vertical PCB Header, with Threaded Retention Inserts, 8 Circuits

**Series Number :** 39505

**Status :** Active

**Product Category :** Terminal Blocks and Barrier Strip



---

## Documents & Resources

### Drawings

[395051008\\_sd.pdf](#)

### 3D Models and Design Files

[395051008\\_stp.zip](#)


### Specifications

[PS-39500-001-001.pdf](#)

---

## Product Environment Compliance

### Compliance

|                    |   |
|--------------------|---|
| GADSL/IMDS         | Not Relevant  |
| China RoHS         |  |
| EU ELV             | Not Relevant  |
| Low-Halogen Status | Low-Halogen per IEC 61249-2-21  |
| REACH SVHC         | Not Contained per ED/01/2018 (15 January 2018)  |
| EU RoHS            | Not Reviewed per EU 2015/863  |

### Multiple Part Product Compliance Statements

- Eu RoHS
- REACH SVHC
- Low-Halogen

### Multiple Part Industry Compliance Documents

- IPC 1752A Class C
- IPC 1752A Class D
- Molex Product Compliance Declaration

- IEC-62474

- chemSHERPA (xml)

EU RoHS Certificate of Compliance

---

## Part Details

### General

|                |   |
|----------------|---|
| Status         | Active  |
| Category       | Terminal Blocks and Barrier Strip   |
| Series         | 39505   |
| Description    | 3.50mm Pitch Eurostyle Vertical PCB Header, with Threaded Retention Inserts, 8 Circuits |
| Application    | Wire-to-Board   |
| Component Type | PCB Header  |
| Product Name   | Eurostyle Pluggable   |
| Type           | PCB Terminal Blocks and Connectors  |
| UPC            | 822350445474  |

### Agency

|    |        |
|----|--------|
| UL | E48521 |
|----|--------|

### Electrical

|                               |      |
|-------------------------------|------|
| Current - Maximum per Contact | 8.0A |
| Voltage - Maximum             | 300V |

### Physical

|                     |          |
|---------------------|----------|
| Circuits (Loaded)   | 8        |
| Circuits (maximum)  | 8        |
| Color - Resin       | Black    |
| Entry Angle         | N/A      |
| Lock to Mating Part | Yes      |
| Number of Rows      | 1        |
| Orientation         | Vertical |
| Panel Mount         | No       |
| PC Tail Length      | 3.50mm   |

|                               |                |
|-------------------------------|----------------|
| PCB Thickness - Recommended   | 2.50mm         |
| Pitch - Mating Interface      | 3.50mm         |
| Pitch - Termination Interface | 3.50mm         |
| Polarized to Mating Part      | Yes            |
| Shrouded                      | Fully          |
| Stackable                     | No             |
| Temperature Range - Operating | -40° to +105°C |
| Wire Size (AWG)               | N/A            |

---

## Mates With / Use With

### Mates with Part(s)

| Description                             | Part Number                               |
|---|---|
| 3.50mm Pitch Eurostyle Horizontal Plugs | <u>39504</u>                              |
| 3.50mm Pitch Eurostyle Vertical Plugs   | <u>39507</u>                              |
| Mates With                              | Most 3.50mm Pitch Industry Standard Plugs |