

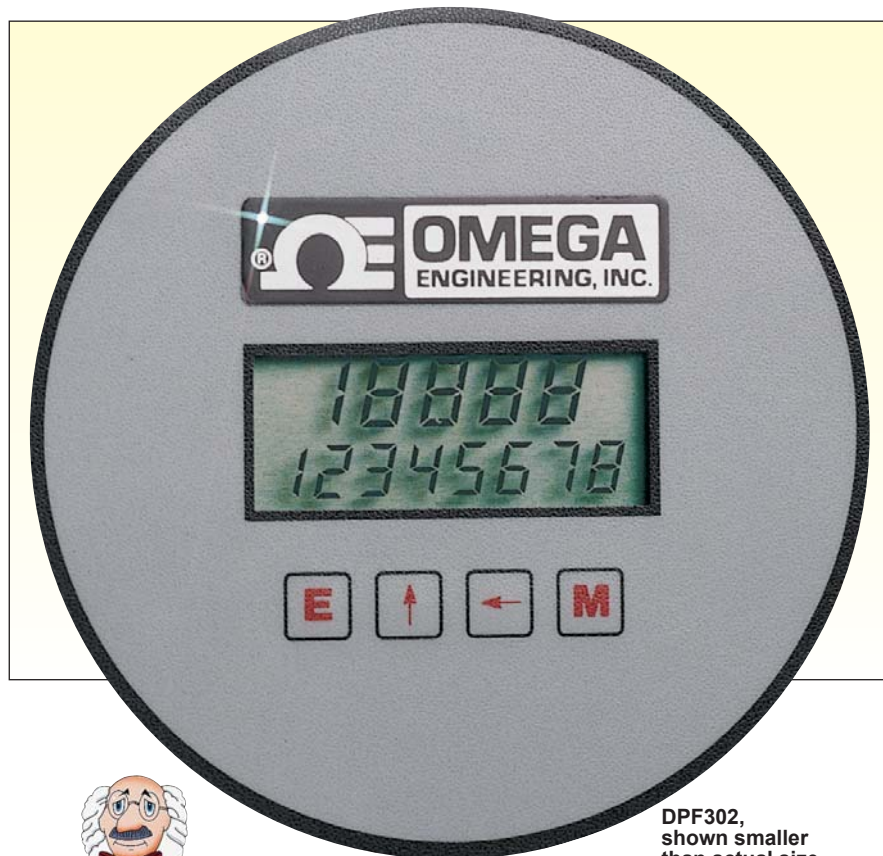
ECONOMICAL 4 to 20 mA LOOP-POWERED INDICATOR

For Rate or Rate and Total

DPF301
Starts at



- ✓ Available with Dual Rate/Total, Display
- ✓ Linear or Square Root Extraction of Input
- ✓ 8-Digit Totaliser Display
- ✓ Calibration Fully Programmable Through Keypad



DPF302,
shown smaller
than actual size.

The DPF301 Series comprises 4 to 20 mA loop-powered panel-mount indicators that display process variables in engineering units (GPM, LPM, psig, %RH, etc.), with an adjustable decimal point for rate and total display. Because these indicators take power directly from the current loop, the user can perform programming on the front keypad; there are no jumpers to configure or potentiometers to scale. An internal lithium battery ensures that all programming is retained in memory, even when the loop power is disconnected. The DPF301 can be programmed for either a linear input or square root extraction for use with differential pressure flowmeters.

The DPF301 general purpose indicator features one 4½ digit rate display, while the DPF302 flow indicator has a dual, 2-line, 4½ digit rate display and 8-digit totaliser. The totaliser can be reset from either the front keypad or remotely via a contact closure.

The DPF300 Series indicators are available in a choice of panel-mount, IP66 (NEMA 4X), or explosion-resistant enclosures.



MOST POPULAR MODELS HIGHLIGHTED!

To Order (Specify Model Number)		
Model No.	Description	
DPF301	General purpose panel-mounted 4 to 20 mA loop-powered ratemeter/indicator	
DPF302	Panel-mounted 4 to 20 mA loop-powered ratemeter and totaliser for flow	
EE-2682	Reference Book: Mathematics for Engineers and Technologies	

Comes with complete operator's manual.

For IP66 (NEMA 4X) polycarbonate enclosure, add suffix “-NEMA” to model number and add to price.

For explosion-resistant housing, add suffix “-EXP” to model number and add to price.

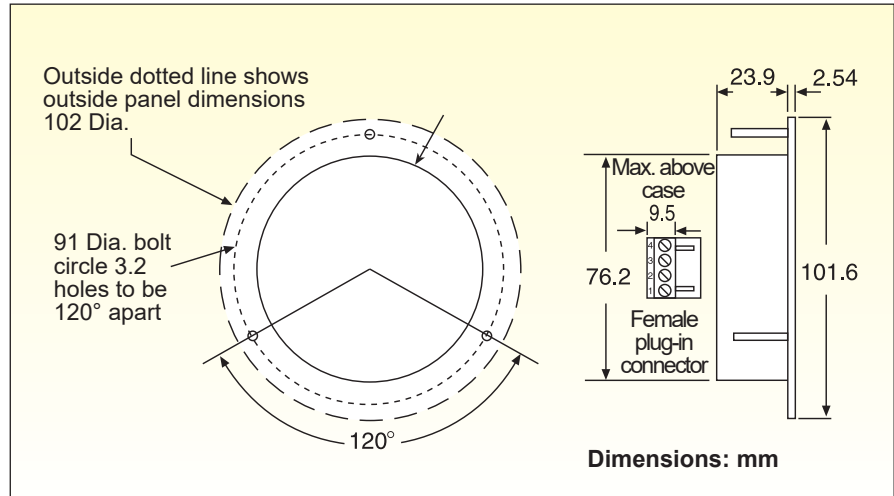
Ordering Examples: DPF301-EXP, loop-powered ratemeter/indicator with optional explosion-resistant housing, DPF302-NEMA, panel-mounted 4 to 20 mA loop-powered ratemeter/totaliser, OCV-3, OMEGACARESM extends standard 2-year warranty to a total of 5 years,

OMEGACARESM extended warranty program is available for models shown on this page. Ask your sales representative for full details when placing an order. OMEGACARESM covers parts, labour and equivalent loaners.

DPF301 General Purpose Ratemeter/Indicator



Available in a choice of panel-mount, IP66 (NEMA 4X), or explosion-resistant enclosures



SPECIFICATIONS

Scalable Input Range:

3.8 to 21 mA

Internal Battery (Memory Only):

3 V 250 mAh lithium included
(2-year standby life)

Rate Display (DPF301 and DPF302):

4½ digits max (19999), 8.89 mm high

Totaliser Display (DPF302 Only):

8 Digits (99999999), 5.08 mm high

Rate Descriptors:

/sec, /min, /hr or "blank"

Unit Descriptors:

Gal, Lit, FT3, M3, "blank"

Display Indications: Low battery and under/over range

Input: 4 to 20 mA DC, overcurrent protection to 60 mA, reverse polarity protected

Loop Voltage Drop: 6 V max

Housing

Standard: Round panel mount with IP66 (NEMA 4X) sealed keypad membrane

Optional: Glass-filled polycarbonate IP66 (NEMA 4X) enclosure, or explosion-resistant housing for NEMA 7, IP66 (NEMA 4), Class I, Groups B, C and D; Class II, Groups E, F and G

Ambient Temperature:

-20 to 70°C

Extended Temp Option:

-30 to 70°C

Accuracy (Rated @ 20°C):

0.1% FS resolution, ±1 count

Temperature Drift: 50 ppm/°C typical, 200 ppm/°C worst case

Low Cutoff: A rate below 1% of selected scale (10% of square root scale) will assume the "set lo" value

Update Rate: For rate or total, once every 2 seconds

Weight:

Basic Unit: 227 g

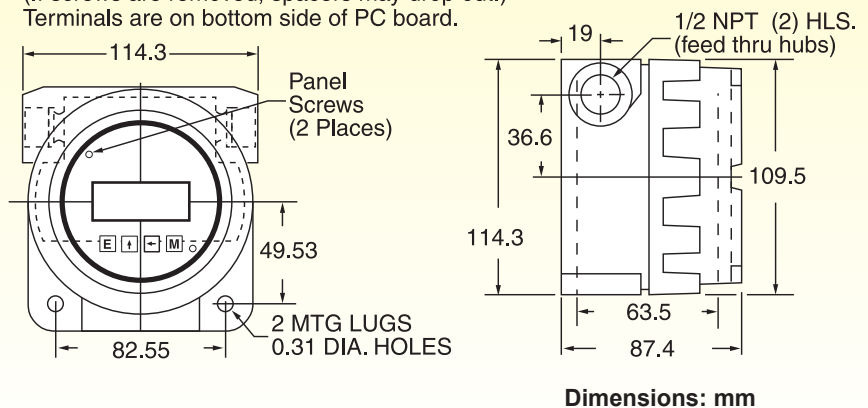
With NEMA Enclosure: 454 g

With Explosion-Resistant Housing:

1.6 kg

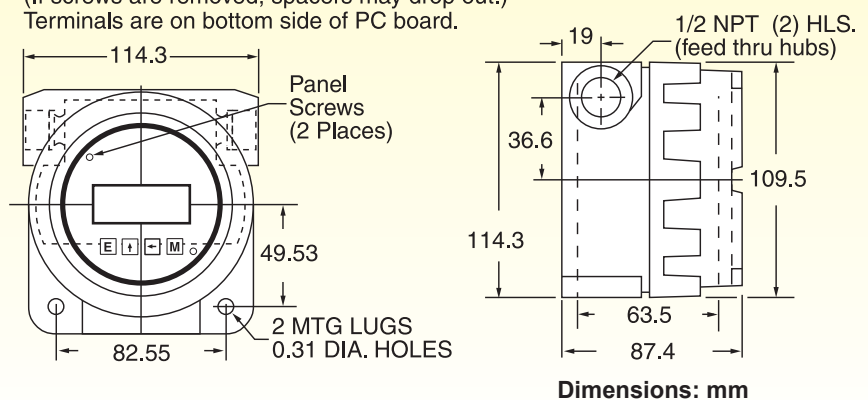
IP66 (NEMA 4X) Polycarbonate Enclosure

To access terminals, unscrew cover and loosen 2 panel screws.
(If screws are removed, spacers may drop out.)
Terminals are on bottom side of PC board.



Explosion-Resistant Housing

To access terminals, unscrew cover and loosen 2 panel screws.
(If screws are removed, spacers may drop out.)
Terminals are on bottom side of PC board.





UNITED STATES

www.omega.com

1-800-TC-OMEGA

Stamford, CT.

CANADA

www.omega.ca

Laval(Quebec)

1-800-TC-OMEGA

GERMANY

www.omega.de

Deckenpfronn, Germany

0800-8266342

UNITED KINGDOM

www.omega.co.uk

Manchester, England

0800-488-488

FRANCE

www.omega.fr

088-466-342

CZECH REPUBLIC

www.omegaeng.cz

Karviná, Czech Republic

596-311-899

BENELUX

www.omega.nl

0800-099-33-44



More than 100,000 Products Available!

• Temperature

Calibrators, Connectors, General Test and Measurement Instruments, Handheld Instruments for Temperature Measurement, Ice Point References, Indicating Labels, Crayons, Cements and Lacquers, Infrared Temperature Measurement Instruments, Recorders, Relative Humidity Measurement Instruments, PT100 Probes, PT100 Elements, Temperature & Process Meters, Timers and Counters, Temperature and Process Controllers and Power Switching Devices, Thermistor Elements, Probes and Assemblies, Thermocouples, Thermowells and Head and Well Assemblies, Transmitters, Thermocouple Wire, RTD Probes

• Flow and Level

Air Velocity Indicators, Doppler Flowmeters, Level Measurement, Magnetic Flowmeters, Mass Flowmeters, Pitot Tubes, Pumps, Rotameters, Turbine and Paddle Wheel Flowmeters, Ultrasonic Flowmeters, Valves, Variable Area Flowmeters, Vortex Shedding Flowmeters

• pH and Conductivity

Conductivity Instrumentation, Dissolved Oxygen Instrumentation, Environmental Instrumentation, pH Electrodes and Instruments, Water and Soil Analysis Instrumentation

• Data Acquisition

Auto-Dialers and Alarm Monitoring Systems, Communication Products and Converters, Data Acquisition and Analysis Software, Data Loggers Plug-in Cards, Signal Conditioners, USB, RS232, RS485 and Parallel Port Data Acquisition Systems, Wireless Transmitters and Receivers

• Pressure, Strain and Force

Displacement Transducers, Dynamic Measurement Force Sensors, Instrumentation for Pressure and Strain Measurements, Load Cells, Pressure Gauges, Pressure Reference Section, Pressure Switches, Pressure Transducers, Proximity Transducers, Regulators, Pressure Transmitters, Strain Gauges, Torque Transducers, Valves

• Heaters

Band Heaters, Cartridge Heaters, Circulation Heaters, Comfort Heaters, Controllers, Meters and Switching Devices, Flexible Heaters, General Test and Measurement Instruments, Heater Hook-up Wire, Heating Cable Systems, Immersion Heaters, Process Air and Duct, Heaters, Radiant Heaters, Strip Heaters, Tubular Heaters