

BGM113 Wireless Gecko *Bluetooth*® Module Data Sheet



The Wireless Gecko BGM113 is a Bluetooth® Module targeted for Bluetooth low energy applications where small size, reliable RF, low-power consumption, and easy application development are key requirements. At +3 dBm TX power, BGM113 is ideal for applications requiring short and medium range Bluetooth connectivity.

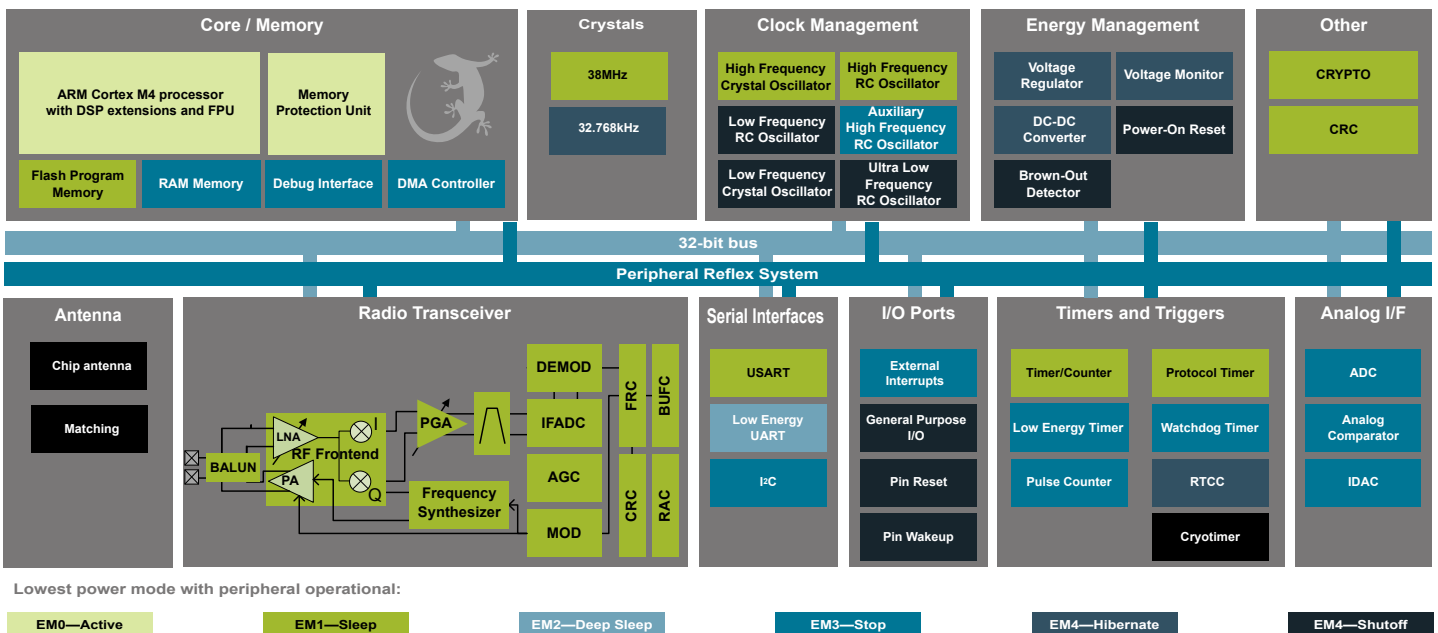
The BGM113 integrates all of the necessary elements required for a Bluetooth application: Bluetooth radio, a software stack, and GATT-based profiles, and it can also host end user applications, which means no external microcontroller is required in size, price or power constrained devices. The BGM113 Bluetooth Module also has highly flexible hardware interfaces to connect to different peripherals or sensors.

BGM113 can be used in a wide variety of applications:

- IoT Sensors and End Devices
- Commercial and Retail
- Health and Wellness
- Industrial, Home and Building Automation
- Smart Phone, Tablet and PC Accessories

KEY FEATURES

- Bluetooth 4.2 compliant
- Integrated antenna
- TX power: up to +3 dBm
- RX sensitivity: down to -92 dBm
- Range: up to 50 meters
- 32-bit ARM® Cortex®-M4 core at 38.4 MHz
- Flash memory: 256 kB
- RAM: 32 kB
- Autonomous hardware crypto accelerator and random number generator
- Integrated DC-DC Converter
- Onboard Bluetooth stack



1. Feature List

The BGM113 highlighted features are listed below.

- **Low Power Wireless System-on-Chip.**
 - High Performance 32-bit 38.4 MHz ARM Cortex[®]-M4 with DSP instruction and floating-point unit for efficient signal processing
 - 256 kB flash program memory
 - 32 kB RAM data memory
 - 2.4 GHz radio operation
 - TX power up to +3 dBm
- **Low Energy Consumption**
 - 8.7 mA RX current at 2.4 GHz
 - 8.2 mA TX current @ 0 dBm output power at 2.4 GHz
 - 63 μ A/MHz in Active Mode (EM0)
 - 2.5 μ A EM2 DeepSleep current (full RAM retention and RTCC running from LFXO)
 - 2.1 μ A EM3 Stop current (State/RAM retention)
- **High Receiver Performance**
 - -92 dBm sensitivity @ 1 Mbit/s GFSK (2.4 GHz)
- **Supported Protocols**
 - Bluetooth[®] Low Energy
- **Support for Internet Security**
 - General Purpose CRC
 - Random Number Generator
 - Hardware Cryptographic Acceleration for AES 128/256, SHA-1, SHA-2 (SHA-224 and SHA-256) and ECC
- **Wide Selection of MCU peripherals**
 - 12-bit 1 Msps SAR Analog to Digital Converter (ADC)
 - 2 \times Analog Comparator (ACMP)
 - Digital to Analog Current Converter (IDAC)
 - 14 pins connected to analog channels (APORT) shared between Analog Comparators, ADC, and IDAC
 - 14 General Purpose I/O pins with output state retention and asynchronous interrupts
 - 8 Channel DMA Controller
 - 12 Channel Peripheral Reflex System (PRS)
 - 2 \times 16-bit Timer/Counter
 - 3 + 4 Compare/Capture/PWM channels
 - 32-bit Real Time Counter and Calendar
 - 16-bit Low Energy Timer for waveform generation
 - 32-bit Ultra Low Energy Timer/Counter for periodic wake-up from any Energy Mode
 - 16-bit Pulse Counter with asynchronous operation
 - Watchdog Timer with dedicated RC oscillator @ 50 nA
 - 2 \times Universal Synchronous/Asynchronous Receiver/Transmitter (UART/SPI/SmartCard (ISO 7816)/IrDA/I²S)
 - Low Energy UART (LEUART[™])
 - I²C interface with SMBus support and address recognition in EM3 Stop
- **Wide Operating Range**
 - 1.85 V to 3.8 V single power supply
 - 2.4 V to 3.8 V when using DC-DC
 - Integrated DC-DC
 - -40 $^{\circ}$ C to +85 $^{\circ}$ C
- **Dimensions**
 - 9.15 x 15.75 x 1.9 mm

2. Ordering Information

Ordering Code	Protocol Stack	Frequency Band	Max TX Power (dBm)	Encryption	Flash (KB)	RAM (KB)	GPIO	Package
BGM113A256V2	Bluetooth Smart	2.4 GHz	3	Full	256	32	14	100 pcs cut reel
BGM113A256V2R	Bluetooth Smart	2.4 GHz	3	Full	256	32	14	1000 pcs tape and reel
BGM113A256V21 ²	Bluetooth Smart	2.4 GHz	3	Full	256	32	14	100 pcs cut reel
BGM113A256V21R ²	Bluetooth Smart	2.4 GHz	3	Full	256	32	14	1000 pcs tape and reel
SLWRB4301A ¹								

Note:

1. BGM113 Bluetooth module radio board. Requires also SLWSTK6101C (or SLWSTK6101A or SLWSTK6101B).
2. The "V21" OPNs have the Bluetooth software 2.0.2 pre-installed and exposing BGAPI serial protocol (NCP) mode over UART interface as shown in the Power, Ground, Debug and Host UART reference schematic.
3. Throughout this document, the modules might be referred to by their ordering codes in the table above, by their model name of BGM113A or by the marketing/friendly name of BGM113.

Table of Contents

1. Feature List	2
2. Ordering Information	3
3. System Overview	7
3.1 Introduction	7
3.2 Radio	7
3.2.1 Antenna Interface	7
3.2.2 Packet and State Trace	8
3.2.3 Random Number Generator	8
3.3 Power	9
3.3.1 Energy Management Unit (EMU)	9
3.3.2 DC-DC Converter	9
3.4 General Purpose Input/Output (GPIO)	9
3.5 Clocking	10
3.5.1 Clock Management Unit (CMU)	10
3.5.2 Internal Oscillators	10
3.6 Counters/Timers and PWM	10
3.6.1 Timer/Counter (TIMER)	10
3.6.2 Real Time Counter and Calendar (RTCC)	10
3.6.3 Low Energy Timer (LETIMER)	10
3.6.4 Ultra Low Power Wake-up Timer (CRYOTIMER)	10
3.6.5 Pulse Counter (PCNT)	11
3.6.6 Watchdog Timer (WDOG)	11
3.7 Communications and Other Digital Peripherals	11
3.7.1 Universal Synchronous/Asynchronous Receiver/Transmitter (USART)	11
3.7.2 Low Energy Universal Asynchronous Receiver/Transmitter (LEUART)	11
3.7.3 Inter-Integrated Circuit Interface (I ² C)	11
3.7.4 Peripheral Reflex System (PRS)	11
3.8 Security Features	11
3.8.1 GPCRC (General Purpose Cyclic Redundancy Check)	11
3.8.2 Crypto Accelerator (CRYPTO)	12
3.9 Analog	12
3.9.1 Analog Port (APORT)	12
3.9.2 Analog Comparator (ACMP)	12
3.9.3 Analog to Digital Converter (ADC)	12
3.9.4 Digital to Analog Current Converter (IDAC)	12
3.10 Reset Management Unit (RMU)	12
3.11 Core and Memory	12
3.11.1 Processor Core	12
3.11.2 Memory System Controller (MSC)	13
3.11.3 Linked Direct Memory Access Controller (LDMA)	13
3.12 Memory Map	14

3.13 Configuration Summary15
4. Electrical Specifications16
4.1 Electrical Characteristics16
4.1.1 Absolute Maximum Ratings16
4.1.2 Operating Conditions17
4.1.3 DC-DC Converter18
4.1.4 Current Consumption20
4.1.5 Wake up times24
4.1.6 Brown Out Detector25
4.1.7 Frequency Synthesizer Characteristics25
4.1.8 2.4 GHz RF Transceiver Characteristics26
4.1.9 Oscillators28
4.1.10 Flash Memory Characteristics30
4.1.11 GPIO31
4.1.12 VMON32
4.1.13 ADC33
4.1.14 IDAC36
4.1.15 Analog Comparator (ACMP)38
4.1.16 I2C40
4.1.17 USART SPI43
5. Typical Connection Diagrams45
5.1 Typical BGM113 Connections45
5.2 SPI Peripheral Connection45
5.3 I ² C Peripheral Connection46
6. Layout Guidelines47
6.1 Recommended Placement on the Application PCB47
6.2 Effect of Plastic and Metal Materials48
6.3 Effect of Human Body48
6.4 2D Radiation Pattern Plots49
7. Pin Definitions51
7.1 BGM113 Definition51
7.1.1 BGM113 GPIO Overview57
7.2 Alternate Functionality Pinout58
7.3 Analog Port (APORT).65
8. BGM113 Package Specifications73
8.1 BGM113 Package Outline73
8.2 BGM113 Land Pattern74
8.3 BGM113 Package Marking75
9. Tape and Reel Specifications76
9.1 Tape and Reel Packaging76

9.2 Reel and Tape Specifications76
9.3 Orientation and Tape Feed77
9.4 Moisture Sensitivity Level77
10. Soldering Recommendations	78
10.1 Soldering Recommendations.78
11. Certifications	79
11.1 Bluetooth79
11.2 CE and UKCA - EU and UK79
11.3 FCC79
11.4 IC81
11.5 Japan83
11.6 KC South Korea83
11.7 Taiwan NCC84
12. Revision History.	85

3. System Overview

3.1 Introduction

The BGM113 product family combines an energy-friendly MCU with a highly integrated radio transceiver. The devices are well suited for any battery operated application, as well as other system requiring high performance and low-energy consumption. This section gives a short introduction to the full radio and MCU system. A detailed functional description can be found in the *EFR32BG1 Wireless Gecko Bluetooth® Low Energy SoC Family Data Sheet* (see general sections and QFN48 2.4 GHz SoC related sections).

A detailed block diagram of the EFR32BG SoC is shown in the figure below which is used in the BGM113 Bluetooth Low Energy module.

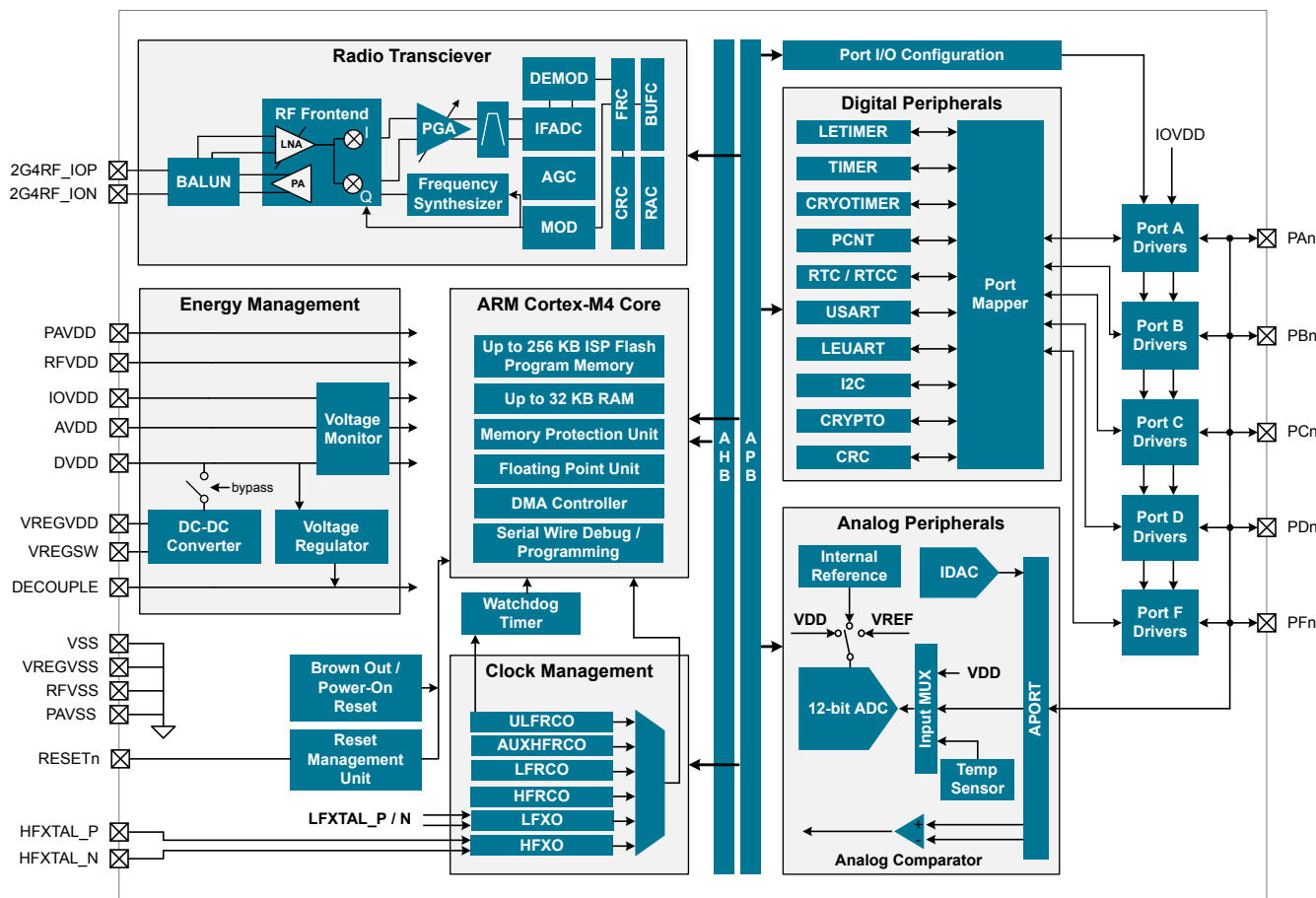


Figure 3.1. Detailed EFR32BG1 Block Diagram

3.2 Radio

The BGM113 features a radio transceiver supporting Bluetooth® low energy protocol.

3.2.1 Antenna Interface

The BGM113 module includes an integrated chip-antenna. The table below includes performance specifications for the integrated chip-antenna.

Table 3.1. Antenna Efficiency and Peak Gain

Parameter	With optimal layout	Note
Efficiency	-3 to -4 dB	Efficiency and peak gain depend on the application PCB layout and mechanical design and the used antenna.
Peak gain	0.5 dBi	

3.2.2 Packet and State Trace

The BGM113 Frame Controller has a packet and state trace unit that provides valuable information during the development phase. It features:

- Non-intrusive trace of transmit data, receive data and state information
- Data observability on a single-pin UART data output, or on a two-pin SPI data output
- Configurable data output bitrate / baudrate
- Multiplexed transmitted data, received data and state / meta information in a single serial data stream

3.2.3 Random Number Generator

The Frame Controller (FRC) implements a random number generator that uses entropy gathered from noise in the RF receive chain. The data is suitable for use in cryptographic applications.

Output from the random number generator can be used either directly or as a seed or entropy source for software-based random number generator algorithms such as Fortuna.

3.3 Power

The BGM113 has an Energy Management Unit (EMU) and efficient integrated regulators to generate internal supply voltages. Only a single external supply voltage is required, from which all internal voltages are created. An integrated dc-dc buck regulator is utilized to further reduce the current consumption.

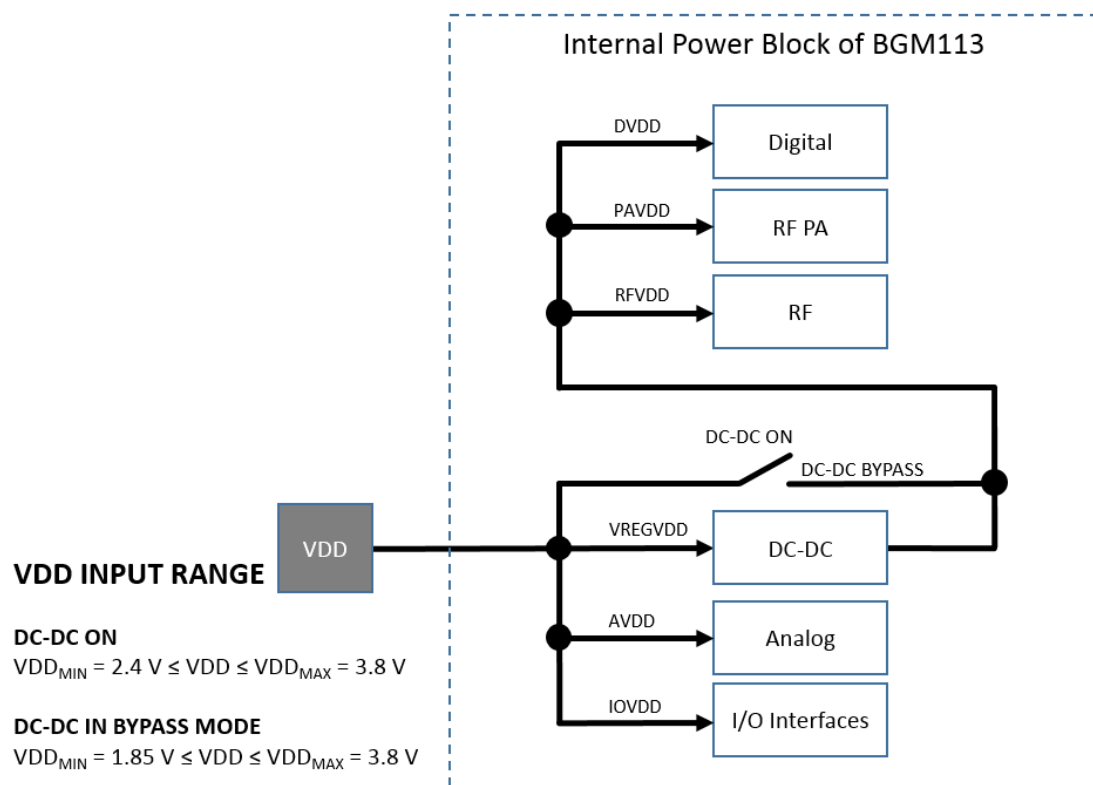


Figure 3.2. Power Supply Configuration

3.3.1 Energy Management Unit (EMU)

The Energy Management Unit manages transitions of energy modes in the device. Each energy mode defines which peripherals and features are available and the amount of current the device consumes. The EMU can also be used to turn off the power to unused RAM blocks, and it contains control registers for the dc-dc regulator and the Voltage Monitor (VMON). The VMON is used to monitor multiple supply voltages. It has multiple channels which can be programmed individually by the user to determine if a sensed supply has fallen below a chosen threshold.

3.3.2 DC-DC Converter

The DC-DC buck converter covers a wide range of load currents and provides up to 90% efficiency in energy modes EM0, EM1, EM2 and EM3. Patented RF noise mitigation allows operation of the DC-DC converter without degrading sensitivity of radio components. Protection features include programmable current limiting, short-circuit protection, and dead-time protection. The DC-DC converter may also enter bypass mode when the input voltage is too low for efficient operation. In bypass mode, the DC-DC input supply is internally connected directly to its output through a low resistance switch. Bypass mode also supports in-rush current limiting to prevent input supply voltage droops due to excessive output current transients.

3.4 General Purpose Input/Output (GPIO)

BGM113 has up to 14 General Purpose Input/Output pins. Each GPIO pin can be individually configured as either an output or input. More advanced configurations including open-drain, open-source, and glitch-filtering can be configured for each individual GPIO pin. The GPIO pins can be overridden by peripheral connections, like SPI communication. Each peripheral connection can be routed to several GPIO pins on the device. The input value of a GPIO pin can be routed through the Peripheral Reflex System to other peripherals. The GPIO subsystem supports asynchronous external pin interrupts.

3.5 Clocking

3.5.1 Clock Management Unit (CMU)

The Clock Management Unit controls oscillators and clocks in the BGM113. Individual enabling and disabling of clocks to all peripheral modules is performed by the CMU. The CMU also controls enabling and configuration of the oscillators. A high degree of flexibility allows software to optimize energy consumption in any specific application by minimizing power dissipation in unused peripherals and oscillators.

3.5.2 Internal Oscillators

The BGM113 fully integrates two crystal oscillators and four RC oscillators, listed below.

- A 38.4MHz high frequency crystal oscillator (HF XO) provides a precise timing reference for the MCU and radio.
- A 32.768 kHz crystal oscillator (LF XO) provides an accurate timing reference for low energy modes.
- An integrated high frequency RC oscillator (HFRCO) is available for the MCU system, when crystal accuracy is not required. The HFRCO employs fast startup at minimal energy consumption combined with a wide frequency range.
- An integrated auxiliary high frequency RC oscillator (AUXHFRCO) is available for timing the general-purpose ADC and the Serial Wire debug port with a wide frequency range.
- An integrated low frequency 32.768 kHz RC oscillator (LFRCO) can be used as a timing reference in low energy modes, when crystal accuracy is not required.
- An integrated ultra-low frequency 1 kHz RC oscillator (ULFRCO) is available to provide a timing reference at the lowest energy consumption in low energy modes.

3.6 Counters/Timers and PWM

3.6.1 Timer/Counter (TIMER)

TIMER peripherals keep track of timing, count events, generate PWM outputs and trigger timed actions in other peripherals through the PRS system. The core of each TIMER is a 16-bit counter with up to 4 compare/capture channels. Each channel is configurable in one of three modes. In capture mode, the counter state is stored in a buffer at a selected input event. In compare mode, the channel output reflects the comparison of the counter to a programmed threshold value. In PWM mode, the TIMER supports generation of pulse-width modulation (PWM) outputs of arbitrary waveforms defined by the sequence of values written to the compare registers, with optional dead-time insertion available in timer unit TIMER_0 only.

3.6.2 Real Time Counter and Calendar (RTCC)

The Real Time Counter and Calendar (RTCC) is a 32-bit counter providing timekeeping in all energy modes. The RTCC includes a Binary Coded Decimal (BCD) calendar mode for easy time and date keeping. The RTCC can be clocked by any of the on-board, low-frequency oscillators, and it is capable of providing system wake-up at user defined instances. When receiving frames, the RTCC value can be used for timestamping. The RTCC includes 128 bytes of general purpose data retention, allowing easy and convenient data storage in all energy modes.

3.6.3 Low Energy Timer (LETIMER)

The unique LETIMER is a 16-bit timer that is available in energy mode EM0 Active, EM1 Sleep, EM2 Deep Sleep, and EM3 Stop. This allows it to be used for timing and output generation when most of the device is powered down, allowing simple tasks to be performed while the power consumption of the system is kept at an absolute minimum. The LETIMER can be used to output a variety of waveforms with minimal software intervention. The LETIMER is connected to the Real Time Counter and Calendar (RTCC), and can be configured to start counting on compare matches from the RTCC.

3.6.4 Ultra Low Power Wake-up Timer (CRYOTIMER)

The CRYOTIMER is a 32-bit counter that is capable of running in all energy modes. It can be clocked by either the 32.768 kHz crystal oscillator (LF XO), the 32.768 kHz RC oscillator (LFRCO), or the 1 kHz RC oscillator (ULFRCO). It can provide periodic Wakeup events and PRS signals which can be used to wake up peripherals from any energy mode. The CRYOTIMER provides a wide range of interrupt periods, facilitating flexible ultra-low energy operation.

3.6.5 Pulse Counter (PCNT)

The Pulse Counter (PCNT) peripheral can be used for counting pulses on a single input or to decode quadrature encoded inputs. The clock for PCNT is selectable from either an external source on pin PCTNn_S0IN or from an internal timing reference, selectable from among any of the internal oscillators, except the AUXHFRCO. The module may operate in energy mode EM0 Active, EM1 Sleep, EM2 Deep Sleep, and EM3 Stop.

3.6.6 Watchdog Timer (WDOG)

The watchdog timer can act both as an independent watchdog or as a watchdog synchronous with the CPU clock. It has windowed monitoring capabilities, and can generate a reset or different interrupts depending on the failure mode of the system. The watchdog can also monitor autonomous systems driven by PRS.

3.7 Communications and Other Digital Peripherals

3.7.1 Universal Synchronous/Asynchronous Receiver/Transmitter (USART)

The Universal Synchronous/Asynchronous Receiver/Transmitter is a flexible serial I/O module. It supports full duplex asynchronous UART communication with hardware flow control as well as RS-485, SPI, MicroWire and 3-wire. It can also interface with devices supporting:

- ISO7816 SmartCards
- IrDA
- I²S

3.7.2 Low Energy Universal Asynchronous Receiver/Transmitter (LEUART)

The unique LEUART™ provides two-way UART communication on a strict power budget. Only a 32.768 kHz clock is needed to allow UART communication up to 9600 baud. The LEUART includes all necessary hardware to make asynchronous serial communication possible with a minimum of software intervention and energy consumption.

3.7.3 Inter-Integrated Circuit Interface (I²C)

The I²C module provides an interface between the MCU and a serial I²C bus. It is capable of acting as both a master and a slave and supports multi-master buses. Standard-mode, fast-mode and fast-mode plus speeds are supported, allowing transmission rates from 10 kbit/s up to 1 Mbit/s. Slave arbitration and timeouts are also available, allowing implementation of an SMBus-compliant system. The interface provided to software by the I²C module allows precise timing control of the transmission process and highly automated transfers. Automatic recognition of slave addresses is provided in active and low energy modes.

3.7.4 Peripheral Reflex System (PRS)

The Peripheral Reflex System provides a communication network between different peripheral modules without software involvement. Peripheral modules producing Reflex signals are called producers. The PRS routes Reflex signals from producers to consumer peripherals which in turn perform actions in response. Edge triggers and other functionality can be applied by the PRS. The PRS allows peripheral to act autonomously without waking the MCU core, saving power.

3.8 Security Features

3.8.1 GPCRC (General Purpose Cyclic Redundancy Check)

The GPCRC module implements a Cyclic Redundancy Check (CRC) function. It supports both 32-bit and 16-bit polynomials. The supported 32-bit polynomial is 0x04C11DB7 (IEEE 802.3), while the 16-bit polynomial can be programmed to any value, depending on the needs of the application.

3.8.2 Crypto Accelerator (CRYPTO)

The Crypto Accelerator is a fast and energy-efficient autonomous hardware encryption and decryption accelerator. It supports AES encryption and decryption with 128- or 256-bit keys and ECC over both GF(P) and GF(2^m), SHA-1 and SHA-2 (SHA-224 and SHA-256).

Supported modes of operation for AES include: ECB, CTR, CBC, PCBC, CFB, OFB, CBC-MAC, GMAC and CCM.

Supported ECC NIST recommended curves include P-192, P-224, P-256, K-163, K-233, B-163 and B-233.

The CRYPTO is tightly linked to the Radio Buffer Controller (BUFC) enabling fast and efficient autonomous cipher operations on data buffer content. It allows fast processing of GCM (AES), ECC and SHA with little CPU intervention. CRYPTO also provides trigger signals for DMA read and write operations.

3.9 Analog

3.9.1 Analog Port (APORT)

The Analog Port (APORT) is an analog interconnect matrix allowing access to analog modules ADC, ACMP, and IDAC on a flexible selection of pins. Each APORT bus consists of analog switches connected to a common wire. Since many clients can operate differentially, buses are grouped by X/Y pairs.

3.9.2 Analog Comparator (ACMP)

The Analog Comparator is used to compare the voltage of two analog inputs, with a digital output indicating which input voltage is higher. Inputs are selected from among internal references and external pins. The tradeoff between response time and current consumption is configurable by software. Two 6-bit reference dividers allow for a wide range of internally-programmable reference sources. The ACMP can also be used to monitor the supply voltage. An interrupt can be generated when the supply falls below or rises above the programmable threshold.

3.9.3 Analog to Digital Converter (ADC)

The ADC is a Successive Approximation Register (SAR) architecture, with a resolution of up to 12 bits at up to 1 MSamples/s. The output sample resolution is configurable and additional resolution is possible using integrated hardware for averaging over multiple samples. The ADC includes integrated voltage references and an integrated temperature sensor. Inputs are selectable from a wide range of sources, including pins configurable as either single-ended or differential.

3.9.4 Digital to Analog Current Converter (IDAC)

The Digital to Analog Current Converter can source or sink a configurable constant current. This current can be driven on an output pin or routed to the selected ADC input pin for capacitive sensing. The current is programmable between 0.05 μ A and 64 μ A with several ranges with various step sizes.

3.10 Reset Management Unit (RMU)

The RMU is responsible for handling reset of the BGM113. A wide range of reset sources are available, including several power supply monitors, pin reset, software controlled reset, core lockup reset and watchdog reset.

3.11 Core and Memory

3.11.1 Processor Core

The ARM Cortex-M4F processor includes a 32-bit RISC processor integrating the following features and tasks in the system:

- ARM Cortex-M4F RISC processor achieving 1.25 Dhrystone MIPS/MHz
- Memory Protection Unit (MPU) supporting up to 8 memory segments
- 256 KB flash program memory
- 32 KB RAM data memory
- Configuration and event handling of all modules
- 2-pin Serial-Wire debug interface

3.11.2 Memory System Controller (MSC)

The Memory System Controller (MSC) is the program memory unit of the microcontroller. The flash memory is readable and writable from both the Cortex-M and DMA. The flash memory is divided into two blocks; the main block and the information block. Program code is normally written to the main block, whereas the information block is available for special user data and flash lock bits. There is also a read-only page in the information block containing system and device calibration data. Read and write operations are supported in energy modes EM0 Active and EM1 Sleep.

3.11.3 Linked Direct Memory Access Controller (LDMA)

The Linked Direct Memory Access (LDMA) controller features 8 channels capable of performing memory operations independently of software. This reduces both energy consumption and software workload. The LDMA allows operations to be linked together and staged, enabling sophisticated operations to be implemented.

3.12 Memory Map

The BGM113 memory map is shown in the figures below.

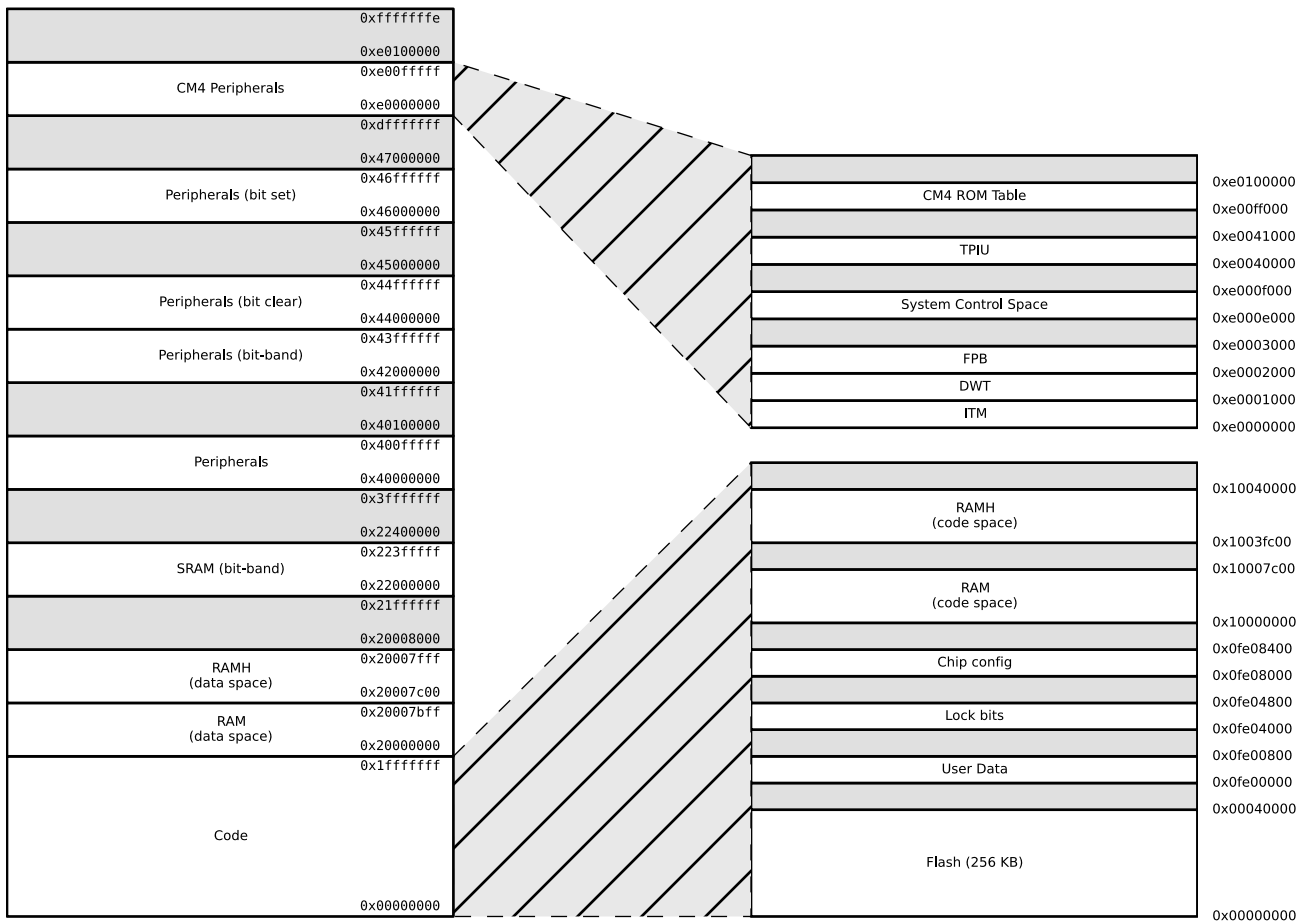


Figure 3.3. BGM113 Memory Map — Core Peripherals and Code Space

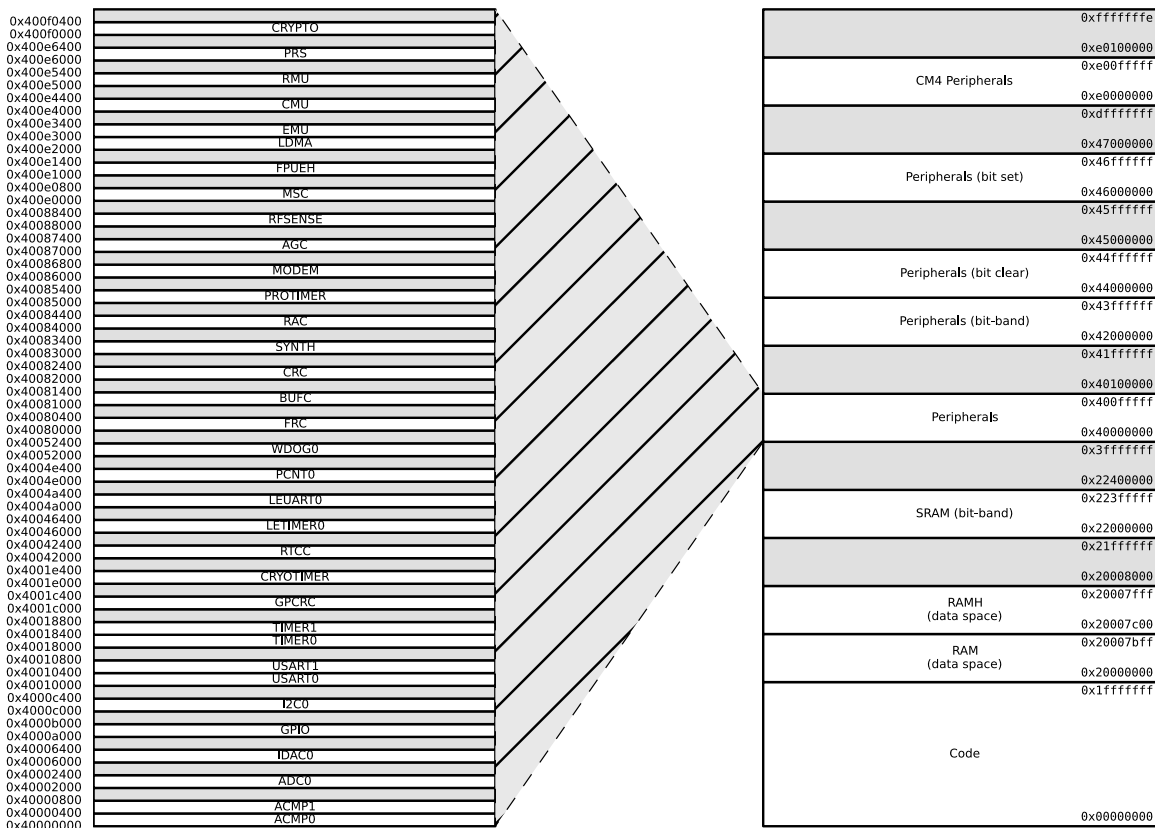


Figure 3.4. BGM113 Memory Map — Peripherals

3.13 Configuration Summary

The features of the BGM113 are a subset of the feature set described in the device reference manual. The table below describes device specific implementation of the features. Remaining modules support full configuration.

Table 3.2. Configuration Summary

Module	Configuration	Pin Connections
USART0	IrDA SmartCard	US0_TX, US0_RX, US0_CLK, US0_CS
USART1	IrDA I ² S SmartCard	US1_TX, US1_RX, US1_CLK, US1_CS
TIMER0	with DTI	TIM0_CC[2:0], TIM0_CDTI[2:0]
TIMER1		TIM1_CC[3:0]

4. Electrical Specifications

4.1 Electrical Characteristics

All electrical parameters in all tables are specified under the following conditions, unless stated otherwise:

- Typical values are based on $T_{AMB}=25\text{ }^{\circ}\text{C}$ and $V_{DD}=3.3\text{ V}$, by production test and/or technology characterization.
- Radio performance numbers are measured in conducted mode, based on Silicon Laboratories reference designs using output power-specific external RF impedance-matching networks for interfacing to a $50\ \Omega$ antenna.
- Minimum and maximum values represent the worst conditions across supply voltage, process variation, and operating temperature, unless stated otherwise.

Refer to [Table 4.2 General Operating Conditions on page 17](#) for more details about operational supply and temperature limits.

4.1.1 Absolute Maximum Ratings

Stresses above those listed below may cause permanent damage to the device. This is a stress rating only and functional operation of the devices at those or any other conditions above those indicated in the operation listings of this specification is not implied. Exposure to maximum rating conditions for extended periods may affect device reliability. For more information on the available quality and reliability data, see the Quality and Reliability Monitor Report at <http://www.silabs.com/support/quality/pages/default.aspx>.

Table 4.1. Absolute Maximum Ratings

Parameter	Symbol	Test Condition	Min	Typ	Max	Unit
Storage temperature range	T_{STG}		-40	—	+85	$^{\circ}\text{C}$
External main supply voltage	V_{DDMAX}		0	—	3.8	V
External main supply voltage ramp rate	$V_{DDRAMPMAX}$		—	—	1	V / μs
External main supply voltage with DC-DC in bypass mode			1.85		3.8	V
Voltage on any 5V tolerant GPIO pin ¹	V_{DIGPIN}		-0.3	—	Min of 5.25 and IOVDD +2	V
Voltage on non-5V tolerant GPIO pins			-0.3	—	IOVDD+0.3	V
Max RF level at input	$P_{RFMAX2G4}$		—	—	10	dBm
Total current into VDD power lines (source)	I_{VDDMAX}		—	—	200	mA
Total current into VSS ground lines (sink)	I_{VSSMAX}		—	—	200	mA
Current per I/O pin (sink)	I_{IOMAX}		—	—	50	mA
Current per I/O pin (source)			—	—	50	mA
Current for all I/O pins (sink)	$I_{IOALLMAX}$		—	—	200	mA
Current for all I/O pins (source)			—	—	200	mA
Voltage difference between AVDD and VREGVDD	ΔV_{DD}		—	—	0.3	V

Note:

1. When a GPIO pin is routed to the analog module through the APORT, the maximum voltage = IOVDD.

4.1.2 Operating Conditions

The following subsections define the operating conditions for the module.

4.1.2.1 General Operating Conditions

Table 4.2. General Operating Conditions

Parameter	Symbol	Test Condition	Min	Typ	Max	Unit
Operating temperature range	T _{OP}	Ambient temperature range	-40	25	85	°C
VDD Operating supply voltage ¹	V _{VDD}	DCDC in regulation	2.4 ³	3.3	3.8	V
		DCDC in bypass, 50mA load	1.85	3.3	3.8	V
VDD Current	I _{VDD}	DCDC in bypass	—	—	200	mA
HFCLK frequency	f _{CORE}	0 wait-states (MODE = WS0) ²	—	—	26	MHz
		1 wait-states (MODE = WS1) ²	—	38.4	40	MHz

Note:

1. The minimum voltage required in bypass mode is calculated using R_{BYP} from the DC-DC specification table. Requirements for other loads can be calculated as $V_{VDD_min} + I_{LOAD} * R_{BYP_max}$
2. In MSC_READCTRL register
3. The minimum voltage of 2.4 V for DCDC is specified at 100 mA.

4.1.3 DC-DC Converter

Test conditions: $V_{DCDC_I}=3.3$ V, $V_{DCDC_O}=1.8$ V, $I_{DCDC_LOAD}=50$ mA, Heavy Drive configuration, $F_{DCDC_LN}=7$ MHz, unless otherwise indicated.

Table 4.3. DC-DC Converter

Parameter	Symbol	Test Condition	Min	Typ	Max	Unit
Input voltage range	V_{DCDC_I}	Bypass mode, $I_{DCDC_LOAD} = 50$ mA	1.85	—	$V_{VREGVDD_MAX}$	V
		Low noise (LN) mode, 1.8 V output, $I_{DCDC_LOAD} = 100$ mA, or Low power (LP) mode, 1.8 V output, $I_{DCDC_LOAD} = 10$ mA	2.4	—	$V_{VREGVDD_MAX}$	V
		Low noise (LN) mode, 1.8 V output, $I_{DCDC_LOAD} = 200$ mA	2.6	—	$V_{VREGVDD_MAX}$	V
Output voltage programmable range ¹	V_{DCDC_O}		1.8	—	$V_{VREGVDD}$	V
Regulation DC Accuracy	ACC_{DC}	Low noise (LN) mode, 1.8 V target output	1.7	—	1.9	V
Regulation Window ²	WIN_{REG}	Low power (LP) mode, $LPCMPBIAS^3 = 0$, 1.8 V target output, $I_{DCDC_LOAD} \leq 75$ μ A	1.63	—	2.2	V
		Low power (LP) mode, $LPCMPBIAS^3 = 3$, 1.8 V target output, $I_{DCDC_LOAD} \leq 10$ mA	1.63	—	2.1	V
Steady-state output ripple	V_R	Radio disabled.	—	3	—	mVpp
Output voltage under/overshoot	V_{OV}	CCM Mode ($LNFORCECCM^3 = 1$), Load changes between 0 mA and 100 mA	—	—	150	mV
		DCM Mode ($LNFORCECCM^3 = 0$), Load changes between 0 mA and 10 mA	—	—	150	mV
		Overshoot during LP to LN CCM/DCM mode transitions compared to DC level in LN mode	—	200	—	mV
		Undershoot during BYP/LP to LN CCM ($LNFORCECCM^3 = 1$) mode transitions compared to DC level in LN mode	—	50	—	mV
		Undershoot during BYP/LP to LN DCM ($LNFORCECCM^3 = 0$) mode transitions compared to DC level in LN mode	—	125	—	mV
DC line regulation	V_{REG}	Input changes between $V_{VREGVDD_MAX}$ and 2.4 V	—	0.1	—	%
DC load regulation	I_{REG}	Load changes between 0 mA and 100 mA in CCM mode	—	0.1	—	%

Parameter	Symbol	Test Condition	Min	Typ	Max	Unit
Note:						
1. Due to internal dropout, the DC-DC output will never be able to reach its input voltage, $V_{VREGVDD}$						
2. LP mode controller is a hysteretic controller that maintains the output voltage within the specified limits						
3. In EMU_DCDCMISCCTRL register						
4. Drive levels are defined by configuration of the PFETCNT and NFETCNT registers. Light Drive: PFETCNT=NFETCNT=3; Medium Drive: PFETCNT=NFETCNT=7; Heavy Drive: PFETCNT=NFETCNT=15.						

4.1.4 Current Consumption

4.1.4.1 Current Consumption 3.3 V (DC-DC in Bypass Mode)

Unless otherwise indicated, typical conditions are: VDD = 3.3 V. T_{OP} = 25 °C. EMU_PWRCFG_PWRCG=NODCDC. EMU_DCDCCTRL_DCDCMODE=BYPASS. Minimum and maximum values in this table represent the worst conditions across supply voltage and process variation at T_{OP} = 25 °C.

Table 4.4. Current Consumption 3.3V without DC/DC

Parameter	Symbol	Test Condition	Min	Typ	Max	Unit
Current consumption in EM0 Active mode with all peripherals disabled	I _{ACTIVE}	38.4 MHz crystal, CPU running while loop from flash ¹	—	130	—	µA/MHz
		38 MHz HFRCO, CPU running Prime from flash	—	88	—	µA/MHz
		38 MHz HFRCO, CPU running while loop from flash	—	100	105	µA/MHz
		38 MHz HFRCO, CPU running CoreMark from flash	—	112	—	µA/MHz
		26 MHz HFRCO, CPU running while loop from flash	—	102	106	µA/MHz
		1 MHz HFRCO, CPU running while loop from flash	—	222	350	µA/MHz
Current consumption in EM1 Sleep mode with all peripherals disabled	I _{EM1}	38.4 MHz crystal ¹	—	65	—	µA/MHz
		38 MHz HFRCO	—	35	38	µA/MHz
		26 MHz HFRCO	—	37	41	µA/MHz
		1 MHz HFRCO	—	157	275	µA/MHz
Current consumption in EM2 Deep Sleep mode.	I _{EM2}	Full RAM retention and RTCC running from LFXO	—	3.3	—	µA
		4 kB RAM retention and RTCC running from LFRCO	—	3	6.3	µA
Current consumption in EM3 Stop mode	I _{EM3}	Full RAM retention and CRYO-TIMER running from ULFRCO	—	2.8	6	µA
Current consumption in EM4H Hibernate mode	I _{EM4}	128 byte RAM retention, RTCC running from LFXO	—	1.1	—	µA
		128 byte RAM retention, CRYO-TIMER running from ULFRCO	—	0.65	—	µA
		128 byte RAM retention, no RTCC	—	0.65	1.3	µA
Current consumption in EM4S Shutoff mode	I _{EM4S}	no RAM retention, no RTCC	—	0.04	0.11	µA
Note:						
1. CMU_HFXOCTRL_LOWPOWER=0						

4.1.4.2 Current Consumption 3.3 V using DC-DC Converter

Unless otherwise indicated, typical conditions are: VDD = 3.3V. T_{OP} = 25 °C. Minimum and maximum values in this table represent the worst conditions across supply voltage and process variation at T_{OP} = 25 °C.

Table 4.5. Current Consumption 3.3V with DC-DC

Parameter	Symbol	Test Condition	Min	Typ	Max	Unit
Current consumption in EM0 Active mode with all peripherals disabled, DCDC in Low Noise DCM mode ¹ .	I _{ACTIVE}	38.4 MHz crystal, CPU running while loop from flash ²	—	88	—	μA/MHz
		38 MHz HFRCO, CPU running Prime from flash	—	63	—	μA/MHz
		38 MHz HFRCO, CPU running while loop from flash	—	71	—	μA/MHz
		38 MHz HFRCO, CPU running CoreMark from flash	—	78	—	μA/MHz
		26 MHz HFRCO, CPU running while loop from flash	—	76	—	μA/MHz
Current consumption in EM0 Active mode with all peripherals disabled, DCDC in Low Noise CCM mode ³ .	I _{ACTIVE}	38.4 MHz crystal, CPU running while loop from flash ²	—	98	—	μA/MHz
		38 MHz HFRCO, CPU running Prime from flash	—	75	—	μA/MHz
		38 MHz HFRCO, CPU running while loop from flash	—	81	—	μA/MHz
		38 MHz HFRCO, CPU running CoreMark from flash	—	88	—	μA/MHz
		26 MHz HFRCO, CPU running while loop from flash	—	94	—	μA/MHz
Current consumption in EM1 Sleep mode with all peripherals disabled, DCDC in Low Noise DCM mode ¹ .	I _{EM1}	38.4 MHz crystal ²	—	49	—	μA/MHz
		38 MHz HFRCO	—	32	—	μA/MHz
		26 MHz HFRCO	—	38	—	μA/MHz
Current consumption in EM1 Sleep mode with all peripherals disabled, DCDC in Low Noise CCM mode ³ .	I _{EM1}	38.4 MHz crystal ²	—	61	—	μA/MHz
		38 MHz HFRCO	—	45	—	μA/MHz
		26 MHz HFRCO	—	58	—	μA/MHz
Current consumption in EM2 Deep Sleep mode. DCDC in Low Power mode ⁴ .	I _{EM2}	Full RAM retention and RTCC running from LFXO	—	2.5	—	μA
		4 kB RAM retention and RTCC running from LFRCO	—	2.2	—	μA
Current consumption in EM3 Stop mode	I _{EM3}	Full RAM retention and CRYO-TIMER running from ULFRCO	—	2.1	—	μA
Current consumption in EM4H Hibernate mode	I _{EM4}	128 byte RAM retention, RTCC running from LFXO	—	0.86	—	μA
		128 byte RAM retention, CRYO-TIMER running from ULFRCO	—	0.58	—	μA
		128 byte RAM retention, no RTCC	—	0.58	—	μA

Parameter	Symbol	Test Condition	Min	Typ	Max	Unit
Current consumption in EM4S Shutoff mode	I_{EM4S}	no RAM retention, no RTCC	—	0.04	—	μA

Note:

1. DCDC Low Noise DCM Mode = Light Drive (PFETCNT=NFETCNT=3), F=3.0 MHz (RCOBAND=0), ANASW=DVDD
2. CMU_HFXOCTRL_LOWPOWER=0
3. DCDC Low Noise CCM Mode = Light Drive (PFETCNT=NFETCNT=3), F=6.4 MHz (RCOBAND=4), ANASW=DVDD
4. DCDC Low Power Mode = Medium Drive (PFETCNT=NFETCNT=7), LPOSCDIV=1, LPBIAS=3, LPCILIMSEL=1, ANASW=DVDD

4.1.4.3 Current Consumption 1.85 V (DC-DC in Bypass Mode)

Unless otherwise indicated, typical conditions are: VDD = 1.85 V. T_{OP} = 25 °C. DC-DC in bypass mode. Minimum and maximum values in this table represent the worst conditions across supply voltage and process variation at T_{OP} = 25 °C.

Table 4.6. Current Consumption 1.85V without DC/DC

Parameter	Symbol	Test Condition	Min	Typ	Max	Unit
Current consumption in EM0 Active mode with all peripherals disabled	I _{ACTIVE}	38.4 MHz crystal, CPU running while loop from flash ¹	—	131	—	μA/MHz
		38 MHz HFRCO, CPU running Prime from flash	—	88	—	μA/MHz
		38 MHz HFRCO, CPU running while loop from flash	—	100	—	μA/MHz
		38 MHz HFRCO, CPU running CoreMark from flash	—	112	—	μA/MHz
		26 MHz HFRCO, CPU running while loop from flash	—	102	—	μA/MHz
		1 MHz HFRCO, CPU running while loop from flash	—	220	—	μA/MHz
Current consumption in EM1 Sleep mode with all peripherals disabled	I _{EM1}	38.4 MHz crystal ¹	—	65	—	μA/MHz
		38 MHz HFRCO	—	35	—	μA/MHz
		26 MHz HFRCO	—	37	—	μA/MHz
		1 MHz HFRCO	—	154	—	μA/MHz
Current consumption in EM2 Deep Sleep mode	I _{EM2}	Full RAM retention and RTCC running from LFXO	—	3.2	—	μA
		4 kB RAM retention and RTCC running from LFRCO	—	2.8	—	μA
Current consumption in EM3 Stop mode	I _{EM3}	Full RAM retention and CRYO-TIMER running from ULFRCO	—	2.7	—	μA
Current consumption in EM4H Hibernate mode	I _{EM4}	128 byte RAM retention, RTCC running from LFXO	—	1	—	μA
		128 byte RAM retention, CRYO-TIMER running from ULFRCO	—	0.62	—	μA
		128 byte RAM retention, no RTCC	—	0.62	—	μA
Current consumption in EM4S Shutoff mode	I _{EM4S}	No RAM retention, no RTCC	—	0.02	—	μA

Note:

1. CMU_HFXOCTRL_LOWPOWER=0

4.1.4.4 Current Consumption Using Radio

Unless otherwise indicated, typical conditions are: VDD = 3.3 V. T_{OP} = 25 °C. DC-DC on. Minimum and maximum values in this table represent the worst conditions across supply voltage and process variation at T_{OP} = 25 °C.

Table 4.7. Current Consumption Using Radio 3.3 V with DC-DC

Parameter	Symbol	Test Condition	Min	Typ	Max	Unit
Current consumption in receive mode, active packet reception (MCU in EM1 @ 38.4 MHz, peripheral clocks disabled)	I _{RX}	1 Mbit/s, 2GFSK, F = 2.4 GHz, Radio clock prescaled by 4	—	8.7	—	mA
Current consumption in transmit mode (MCU in EM1 @ 38.4 MHz, peripheral clocks disabled)	I _{TX}	F = 2.4 GHz, CW, 0 dBm output power, Radio clock prescaled by 3	—	8.2	—	mA
		F = 2.4 GHz, CW, 3 dBm output power	—	16.5	—	mA

4.1.5 Wake up times

Table 4.8. Wake up times

Parameter	Symbol	Test Condition	Min	Typ	Max	Unit
Wake up from EM2 Deep Sleep	t _{EM2_WU}	Code execution from flash	—	10.7	—	µs
		Code execution from RAM	—	3	—	µs
Wakeup time from EM1 Sleep	t _{EM1_WU}	Executing from flash	—	3	—	AHB Clocks
		Executing from RAM	—	3	—	AHB Clocks
Wake up from EM3 Stop	t _{EM3_WU}	Executing from flash	—	10.7	—	µs
		Executing from RAM	—	3	—	µs
Wake up from EM4H Hibernate ¹	t _{EM4H_WU}	Executing from flash	—	60	—	µs
Wake up from EM4S Shut-off ¹	t _{EM4S_WU}		—	290	—	µs

Note:

1. Time from wakeup request until first instruction is executed. Wakeup results in device reset.

4.1.6 Brown Out Detector

For the table below, see [Figure 3.2 Power Supply Configuration on page 9](#) on page 5 to see the relation between the modules external VDD pin and internal voltage supplies. The module itself has only one external power supply input (VDD).

Table 4.9. Brown Out Detector

Parameter	Symbol	Test Condition	Min	Typ	Max	Unit
AVDD BOD threshold	$V_{AVDDBOD}$	AVDD rising	—	—	1.85	V
		AVDD falling	1.62	—	—	V
AVDD BOD hysteresis	$V_{AVDDBOD_HYST}$		—	21	—	mV
AVDD response time	$t_{AVDDBOD_DELAY}$	Supply drops at 0.1V/ μ s rate	—	2.4	—	μ s
EM4 BOD threshold	$V_{EM4DBOD}$	AVDD rising	—	—	1.7	V
		AVDD falling	1.45	—	—	V
EM4 BOD hysteresis	V_{EM4BOD_HYST}		—	46	—	mV
EM4 response time	t_{EM4BOD_DELAY}	Supply drops at 0.1V/ μ s rate	—	300	—	μ s

4.1.7 Frequency Synthesizer Characteristics

Table 4.10. Frequency Synthesizer Characteristics

Parameter	Symbol	Test Condition	Min	Typ	Max	Unit
RF Synthesizer Frequency range	F_{RANGE_2400}	2.4 GHz frequency range	2400	—	2483.5	MHz
LO tuning frequency resolution with 38.4 MHz crystal	F_{RES_2400}	2400 - 2483.5 MHz	—	—	73	Hz
Maximum frequency deviation with 38.4 MHz crystal	ΔF_{MAX_2400}		—	—	1677	kHz

4.1.8 2.4 GHz RF Transceiver Characteristics

4.1.8.1 RF Transmitter General Characteristics for the 2.4 GHz Band

Unless otherwise indicated, typical conditions are: $T_{OP} = 25\text{ }^{\circ}\text{C}$, $V_{DD} = 3.3\text{ V}$, DC-DC on. Crystal frequency = 38.4 MHz. RF center frequency 2.45 GHz. Conducted measurement from the antenna feedpoint.

Table 4.11. RF Transmitter General Characteristics for 2.4 GHz Band

Parameter	Symbol	Test Condition	Min	Typ	Max	Unit
Maximum TX power	$POUT_{MAX}$		—	+3	—	dBm
Minimum active TX Power	$POUT_{MIN}$	CW		-26	—	dBm
Output power step size	$POUT_{STEP}$	-5 dBm < Output power < 0 dBm	—	1	—	dB
		0 dBm < output power < $POUT_{MAX}$	—	0.5	—	dB
Output power variation vs supply at $POUT_{MAX}$	$POUT_{VAR_V}$	1.85 V < $V_{VREGVDD}$ < 3.3 V, PAVDD connected directly to external supply, for output power = 3 dBm.	—	3.8	—	dB
		1.85 V < $V_{VREGVDD}$ < 3.3 V using DC-DC converter	—	2.2	—	dB
Output power variation vs temperature at $POUT_{MAX}$	$POUT_{VAR_T}$	From -40 to +85 °C, PAVDD connected to DC-DC output	—	1.5	—	dB
Output power variation vs RF frequency at $POUT_{MAX}$	$POUT_{VAR_F}$	Over RF tuning frequency range	—	0.4	—	dB
RF tuning frequency range	F_{RANGE}		2400	—	2483.5	MHz

4.1.8.2 RF Receiver General Characteristics for the 2.4 GHz Band

Unless otherwise indicated, typical conditions are: $T_{OP} = 25\text{ }^{\circ}\text{C}$, $V_{DD} = 3.3\text{ V}$, DC-DC on. Crystal frequency = 38.4 MHz. RF center frequency 2.440 GHz. Conducted measurement from the antenna feedpoint.

Table 4.12. RF Receiver General Characteristics for 2.4 GHz Band

Parameter	Symbol	Test Condition	Min	Typ	Max	Unit
RF tuning frequency range	F_{RANGE}		2400	—	2483.5	MHz
Receive mode maximum spurious emission	$SPUR_{RX}$	30 MHz to 1 GHz	—	-57	—	dBm
		1 GHz to 12 GHz	—	-47	—	dBm
Max spurious emissions during active receive mode, per FCC Part 15.109(a)	$SPUR_{RX_FCC}$	216 MHz to 960 MHz, Conducted Measurement	—	-55.2	—	dBm
		Above 960 MHz, Conducted Measurement	—	-47.2	—	dBm

4.1.8.3 RF Receiver Characteristics for Bluetooth Low Energy in the 2.4 GHz Band

Unless otherwise indicated, typical conditions are: $T_{OP} = 25\text{ }^{\circ}\text{C}$, $V_{DD} = 3.3\text{ V}$. Crystal frequency = 38.4 MHz. RF center frequency 2.440 GHz. DC-DC on. Conducted measurement from the antenna feedpoint.

Table 4.13. RF Receiver Characteristics for Bluetooth Low Energy in the 2.4 GHz Band

Parameter	Symbol	Test Condition	Min	Typ	Max	Unit
Max usable receiver input level, 0.1% BER	SAT	Signal is reference signal ¹ . Packet length is 20 bytes.	—	10	—	dBm
30.8% Packet Error Rate ²	SENS	With non-ideal signals as specified in RF-PHY.TS.4.2.2, section 4.6.1	—	-92	—	dBm
Signal to co-channel interferer, 0.1% BER	C/I_{CC}	Desired signal 3 dB above reference sensitivity	—	8.3	—	dB
Blocking, 0.1% BER, Desired is reference signal at -67 dBm. Interferer is CW in OOB range.	BLOCK _{OOB}	Interferer frequency $30\text{ MHz} \leq f \leq 2000\text{ MHz}$	—	-27	—	dBm
		Interferer frequency $2003\text{ MHz} \leq f \leq 2399\text{ MHz}$	—	-32	—	dBm
		Interferer frequency $2484\text{ MHz} \leq f \leq 2997\text{ MHz}$	—	-32	—	dBm
		Interferer frequency $3\text{ GHz} \leq f \leq 12.75\text{ GHz}$	—	-27	—	dBm
Intermodulation performance	IM	Per Core_4.1, Vol 6, Part A, Section 4.4 with $n = 3$	—	-25.8	—	dBm
Upper limit of input power range over which RSSI resolution is maintained	RSSI _{MAX}		4	—	—	dBm
Lower limit of input power range over which RSSI resolution is maintained	RSSI _{MIN}		—	—	-101	dBm
RSSI resolution	RSSI _{RES}	Over RSSI _{MIN} to RSSI _{MAX}	—	—	0.5	dB

Note:

1. Reference signal is defined 2GFSK at -67 dBm, Modulation index = 0.5, BT = 0.5, Bit rate = 1 Mbps, desired data = PRBS9; interferer data = PRBS15; frequency accuracy better than 1 ppm
2. Receive sensitivity on Bluetooth Low Energy channel 26 is -86 dBm

4.1.9 Oscillators

4.1.9.1 LFXO

Table 4.14. LFXO

Parameter	Symbol	Test Condition	Min	Typ	Max	Unit
Crystal frequency	f_{LFXO}		—	32.768	—	kHz
Overall frequency tolerance in all conditions ¹			-100		100	ppm
Note: 1. XTAL nominal frequency tolerance = ± 20 ppm						

4.1.9.2 HFXO

Table 4.15. HFXO

Parameter	Symbol	Test Condition	Min	Typ	Max	Unit
Crystal frequency	f_{HFXO}		-	38.4	-	MHz
Crystal frequency tolerance			-40		40	ppm

4.1.9.3 LFRCO

Table 4.16. LFRCO

Parameter	Symbol	Test Condition	Min	Typ	Max	Unit
Oscillation frequency	f_{LFRCO}	ENVREF = 1 in CMU_LFRCOCTRL	30.474	32.768	34.243	kHz
		ENVREF = 0 in CMU_LFRCOCTRL	30.474	32.768	33.915	kHz
Startup time	t_{LFRCO}		—	500	—	μ s
Current consumption ¹	I_{LFRCO}	ENVREF = 1 in CMU_LFRCOCTRL	—	342	—	nA
		ENVREF = 0 in CMU_LFRCOCTRL	—	494	—	nA
Note: 1. Block is supplied by AVDD if ANASW = 0, or DVDD if ANASW=1 in EMU_PWRCTRL register						

4.1.9.4 HFRCO and AUXHFRCO

Table 4.17. HFRCO and AUXHFRCO

Parameter	Symbol	Test Condition	Min	Typ	Max	Unit
Frequency Accuracy	f_{HFRCO}	Any frequency band, across supply voltage and temperature	-2.5	—	2.5	%
Start-up time	t_{HFRCO}	$f_{\text{HFRCO}} \geq 19$ MHz	—	300	—	ns
		$4 < f_{\text{HFRCO}} < 19$ MHz	—	1	—	μs
		$f_{\text{HFRCO}} \leq 4$ MHz	—	2.5	—	μs
Current consumption on all supplies	I_{HFRCO}	$f_{\text{HFRCO}} = 38$ MHz	—	204	228	μA
		$f_{\text{HFRCO}} = 32$ MHz	—	171	190	μA
		$f_{\text{HFRCO}} = 26$ MHz	—	147	164	μA
		$f_{\text{HFRCO}} = 19$ MHz	—	126	138	μA
		$f_{\text{HFRCO}} = 16$ MHz	—	110	120	μA
		$f_{\text{HFRCO}} = 13$ MHz	—	100	110	μA
		$f_{\text{HFRCO}} = 7$ MHz	—	81	91	μA
		$f_{\text{HFRCO}} = 4$ MHz	—	33	35	μA
		$f_{\text{HFRCO}} = 2$ MHz	—	31	35	μA
		$f_{\text{HFRCO}} = 1$ MHz	—	30	35	μA
Step size	SS_{HFRCO}	Coarse (% of period)	—	0.8	—	%
		Fine (% of period)	—	0.1	—	%
Period Jitter	PJ_{HFRCO}		—	0.2	—	% RMS

4.1.9.5 ULFRCO

Table 4.18. ULFRCO

Parameter	Symbol	Test Condition	Min	Typ	Max	Unit
Oscillation frequency	f_{ULFRCO}		0.95	1	1.07	kHz

4.1.10 Flash Memory Characteristics

Table 4.19. Flash Memory Characteristics¹

Parameter	Symbol	Test Condition	Min	Typ	Max	Unit
Flash erase cycles before failure	EC _{FLASH}		10000	—	—	cycles
Flash data retention	RET _{FLASH}		10	—	—	years
Word (32-bit) programming time	t _{W_PROG}		20	26	40	μs
Page erase time	t _{PERASE}		20	27	40	ms
Mass erase time	t _{MERASE}		20	27	40	ms
Device erase time ²	t _{DERASE}		—	60	74	ms
Page erase current ³	I _{ERASE}		—	—	3	mA
Mass or Device erase current ³			—	—	5	mA
Write current ³	I _{WRITE}		—	—	3	mA

Note:

- Flash data retention information is published in the Quarterly Quality and Reliability Report.
- Device erase is issued over the AAP interface and erases all flash, SRAM, the Lock Bit (LB) page, and the User data page Lock Word (ULW)
- Measured at 25°C

4.1.11 GPIO

For the table below, see [Figure 3.2 Power Supply Configuration on page 9](#) on page 5 to see the relation between the modules external VDD pin and internal voltage supplies. The module itself has only one external power supply input (VDD).

Table 4.20. GPIO

Parameter	Symbol	Test Condition	Min	Typ	Max	Unit
Input low voltage	V _{IOIL}	GPIO pins	—	—	IOVDD*0.3	V
		RESETn	—	—	AVDD*0.3	V
Input high voltage	V _{IOIH}	GPIO pins	IOVDD*0.7	—	—	V
		RESETn	AVDD*0.7	—	—	V
Output high voltage relative to IOVDD	V _{IOOH}	Sourcing 3 mA, IOVDD ≥ 3 V, DRIVESTRENGTH ¹ = WEAK	IOVDD*0.8	—	—	V
		Sourcing 1.2 mA, IOVDD ≥ 1.62 V, DRIVESTRENGTH ¹ = WEAK	IOVDD*0.6	—	—	V
		Sourcing 20 mA, IOVDD ≥ 3 V, DRIVESTRENGTH ¹ = STRONG	IOVDD*0.8	—	—	V
		Sourcing 8 mA, IOVDD ≥ 1.62 V, DRIVESTRENGTH ¹ = STRONG	IOVDD*0.6	—	—	V
Output low voltage relative to IOVDD	V _{IOOL}	Sinking 3 mA, IOVDD ≥ 3 V, DRIVESTRENGTH ¹ = WEAK	—	—	IOVDD*0.2	V
		Sinking 1.2 mA, IOVDD ≥ 1.62 V, DRIVESTRENGTH ¹ = WEAK	—	—	IOVDD*0.4	V
		Sinking 20 mA, IOVDD ≥ 3 V, DRIVESTRENGTH ¹ = STRONG	—	—	IOVDD*0.2	V
		Sinking 8 mA, IOVDD ≥ 1.62 V, DRIVESTRENGTH ¹ = STRONG	—	—	IOVDD*0.4	V
Input leakage current	I _{IOLEAK}	All GPIO except LFXO pins, GPIO ≤ IOVDD	—	0.1	30	nA
		LFXO Pins, GPIO ≤ IOVDD	—	0.1	50	nA
Input leakage current on 5VTOL pads above IOVDD	I _{5VTOLLEAK}	IOVDD < GPIO ≤ IOVDD + 2 V	—	3.3	15	μA
I/O pin pull-up resistor	R _{PU}		30	43	65	kΩ
I/O pin pull-down resistor	R _{PD}		30	43	65	kΩ
Pulse width of pulses removed by the glitch suppression filter	t _{IOGLITCH}		20	25	35	ns

Parameter	Symbol	Test Condition	Min	Typ	Max	Unit
Output fall time, From 70% to 30% of V_{IO}	t_{IOF}	$C_L = 50$ pF, DRIVESTRENGTH ¹ = STRONG, SLEWRATE ¹ = 0x6	—	1.8	—	ns
		$C_L = 50$ pF, DRIVESTRENGTH ¹ = WEAK, SLEWRATE ¹ = 0x6	—	4.5	—	ns
Output rise time, From 30% to 70% of V_{IO}	t_{IOOR}	$C_L = 50$ pF, DRIVESTRENGTH ¹ = STRONG, SLEWRATE = 0x6 ¹	—	2.2	—	ns
		$C_L = 50$ pF, DRIVESTRENGTH ¹ = WEAK, SLEWRATE ¹ = 0x6	—	7.4	—	ns
RESETn low time to ensure pin reset	T_{RESET}		100	—	—	ns
Note: 1. In GPIO_Pn_CTRL register						

4.1.12 VMON

Table 4.21. VMON

Parameter	Symbol	Test Condition	Min	Typ	Max	Unit
VMON Supply Current	I_{VMON}	In EM0 or EM1, 1 supply monitored	—	5.8	8.26	μ A
		In EM0 or EM1, 4 supplies monitored	—	11.8	16.8	μ A
		In EM2, EM3 or EM4, 1 supply monitored	—	62	—	nA
		In EM2, EM3 or EM4, 4 supplies monitored	—	99	—	nA
VMON Loading of Monitored Supply	I_{SENSE}	In EM0 or EM1	—	2	—	μ A
		In EM2, EM3 or EM4	—	2	—	nA
Threshold range	V_{VMON_RANGE}		1.62	—	3.4	V
Threshold step size	N_{VMON_STESP}	Coarse	—	200	—	mV
		Fine	—	20	—	mV
Response time	t_{VMON_RES}	Supply drops at 1V/ μ s rate	—	460	—	ns
Hysteresis	V_{VMON_HYST}		—	26	—	mV

4.1.13 ADC

For the table below, see [Figure 3.2 Power Supply Configuration on page 9](#) on page 5 to see the relation between the modules external VDD pin and internal voltage supplies. The module itself has only one external power supply input (VDD).

Table 4.22. ADC

Parameter	Symbol	Test Condition	Min	Typ	Max	Unit
Resolution	$V_{RESOLUTION}$		6	—	12	Bits
Input voltage range	V_{ADCIN}	Single ended	0	—	$2 \cdot V_{REF}$	V
		Differential	$-V_{REF}$	—	V_{REF}	V
Input range of external reference voltage, single ended and differential	$V_{ADCREFIN_P}$		1	—	V_{AVDD}	V
Power supply rejection ¹	$PSRR_{ADC}$	At DC	—	80	—	dB
Analog input common mode rejection ratio	$CMRR_{ADC}$	At DC	—	80	—	dB
Current from all supplies, using internal reference buffer. Continuous operation. $WAR_MUPMODE^2 = KEEPADC_WARM$	$I_{ADC_CONTINUOUS_LP}$	1 Msps / 16 MHz ADCCLK, BIASPROG = 0, GPBIASACC = 1 ³	—	301	350	μA
		250 ksps / 4 MHz ADCCLK, BIASPROG = 6, GPBIASACC = 1 ³	—	149	—	μA
		62.5 ksps / 1 MHz ADCCLK, BIASPROG = 15, GPBIASACC = 1 ³	—	91	—	μA
Current from all supplies, using internal reference buffer. Duty-cycled operation. $WAR_MUPMODE^2 = NORMAL$	$I_{ADC_NORMAL_LP}$	35 ksps / 16 MHz ADCCLK, BIASPROG = 0, GPBIASACC = 1 ³	—	51	—	μA
		5 ksps / 16 MHz ADCCLK BIASPROG = 0, GPBIASACC = 1 ³	—	9	—	μA
Current from all supplies, using internal reference buffer. Duty-cycled operation. $AWARMUPMODE^2 = KEEPINSTANDBY$ or $KEEPINSLOWACC$	$I_{ADC_STANDBY_LP}$	125 ksps / 16 MHz ADCCLK, BIASPROG = 0, GPBIASACC = 1 ³	—	117	—	μA
		35 ksps / 16 MHz ADCCLK, BIASPROG = 0, GPBIASACC = 1 ³	—	79	—	μA

Parameter	Symbol	Test Condition	Min	Typ	Max	Unit
Current from all supplies, using internal reference buffer. Continuous operation. WARMUPMODE ² = KEEPADCWARM	I _{ADC_CONTINUOUS_HP}	1 Msps / 16 MHz ADCCLK, BIASPROG = 0, GPBIASACC = 0 ³	—	345	—	μA
		250 ksps / 4 MHz ADCCLK, BIASPROG = 6, GPBIASACC = 0 ³	—	191	—	μA
		62.5 ksps / 1 MHz ADCCLK, BIASPROG = 15, GPBIASACC = 0 ³	—	132	—	μA
Current from all supplies, using internal reference buffer. Duty-cycled operation. WARMUPMODE ² = NORMAL	I _{ADC_NORMAL_HP}	35 ksps / 16 MHz ADCCLK, BIASPROG = 0, GPBIASACC = 0 ³	—	102	—	μA
		5 ksps / 16 MHz ADCCLK BIASPROG = 0, GPBIASACC = 0 ³	—	17	—	μA
Current from all supplies, using internal reference buffer. Duty-cycled operation. AWARMUPMODE ² = KEEPINSTANDBY or KEEPINSLOWACC	I _{ADC_STANDBY_HP}	125 ksps / 16 MHz ADCCLK, BIASPROG = 0, GPBIASACC = 0 ³	—	162	—	μA
		35 ksps / 16 MHz ADCCLK, BIASPROG = 0, GPBIASACC = 0 ³	—	123	—	μA
Current from HUPERCLK	I _{ADC_CLK}	HUPERCLK = 16 MHz	—	140	—	μA
ADC Clock Frequency	f _{ADCCLK}		—	—	16	MHz
Throughput rate	f _{ADCRATE}		—	—	1	Mbps
Conversion time ⁴	t _{ADCCONV}	6 bit	—	7	—	cycles
		8 bit	—	9	—	cycles
		12 bit	—	13	—	cycles
Startup time of reference generator and ADC core	t _{ADCSTART}	WARMUPMODE ² = NORMAL	—	—	5	μs
		WARMUPMODE ² = KEEPINSTANDBY	—	—	2	μs
		WARMUPMODE ² = KEEPINSLOWACC	—	—	1	μs
SNDR at 1Mbps and f _{in} = 10kHz	SNDR _{ADC}	Internal reference, 2.5 V full-scale, differential (-1.25, 1.25)	58	67	—	dB
		vrefp_in = 1.25 V direct mode with 2.5 V full-scale, differential	—	68	—	dB
Spurious-Free Dynamic Range (SFDR)	SFDR _{ADC}	1 MSamples/s, 10 kHz full-scale sine wave	—	75	—	dB
Input referred ADC noise, rms	V _{REF_NOISE}	Including quantization noise and distortion	—	380	—	μV
Offset Error	V _{ADCOFFSETERR}		-3	0.25	3	LSB

Parameter	Symbol	Test Condition	Min	Typ	Max	Unit
Gain error in ADC	V _{ADC_GAIN}	Using internal reference	—	-0.2	5	%
		Using external reference	—	-1	—	%
Differential non-linearity (DNL)	DNL _{ADC}	12 bit resolution	-1	—	2	LSB
Integral non-linearity (INL), End point method	INL _{ADC}	12 bit resolution	-6	—	6	LSB
Temperature Sensor Slope	V _{TS_SLOPE}		—	-1.84	—	mV/°C

Note:

1. PSRR is referenced to AVDD when ANASW=0 and to DVDD when ANASW=1 in EMU_PWRCTRL
2. In ADCn_CNTL register
3. In ADCn_BIASPROG register
4. Derived from ADCCLK

4.1.14 IDAC

For the table below, see [Figure 3.2 Power Supply Configuration on page 9](#) on page 5 to see the relation between the modules external VDD pin and internal voltage supplies. The module itself has only one external power supply input (VDD).

Table 4.23. IDAC

Parameter	Symbol	Test Condition	Min	Typ	Max	Unit
Number of Ranges	N_{IDAC_RANGES}		—	4	—	-
Output Current	I_{IDAC_OUT}	RANGSEL ¹ = RANGE0	0.05	—	1.6	μA
		RANGSEL ¹ = RANGE1	1.6	—	4.7	μA
		RANGSEL ¹ = RANGE2	0.5	—	16	μA
		RANGSEL ¹ = RANGE3	2	—	64	μA
Linear steps within each range	N_{IDAC_STEPS}		—	32	—	
Step size	SS_{IDAC}	RANGSEL ¹ = RANGE0	—	50	—	nA
		RANGSEL ¹ = RANGE1	—	100	—	nA
		RANGSEL ¹ = RANGE2	—	500	—	nA
		RANGSEL ¹ = RANGE3	—	2	—	μA
Total Accuracy, STEPSEL ¹ = 0x10	ACC_{IDAC}	EM0 or EM1, AVDD=3.3 V, T = 25 °C	-2	—	2	%
		EM0 or EM1	-18	—	22	%
		EM2 or EM3, Source mode, RANGSEL ¹ = RANGE0, AVDD=3.3 V, T = 25 °C	—	-2	—	%
		EM2 or EM3, Source mode, RANGSEL ¹ = RANGE1, AVDD=3.3 V, T = 25 °C	—	-1.7	—	%
		EM2 or EM3, Source mode, RANGSEL ¹ = RANGE2, AVDD=3.3 V, T = 25 °C	—	-0.8	—	%
		EM2 or EM3, Source mode, RANGSEL ¹ = RANGE3, AVDD=3.3 V, T = 25 °C	—	-0.5	—	%
		EM2 or EM3, Sink mode, RANGSEL ¹ = RANGE0, AVDD=3.3 V, T = 25 °C	—	-0.7	—	%
		EM2 or EM3, Sink mode, RANGSEL ¹ = RANGE1, AVDD=3.3 V, T = 25 °C	—	-0.6	—	%
		EM2 or EM3, Sink mode, RANGSEL ¹ = RANGE2, AVDD=3.3 V, T = 25 °C	—	-0.5	—	%
		EM2 or EM3, Sink mode, RANGSEL ¹ = RANGE3, AVDD=3.3 V, T = 25 °C	—	-0.5	—	%

Parameter	Symbol	Test Condition	Min	Typ	Max	Unit
Start up time	t_{IDAC_SU}	Output within 1% of steady state value	—	5	—	μs
Settling time, (output settled within 1% of steady state value)	t_{IDAC_SETTLE}	Range setting is changed	—	5	—	μs
		Step value is changed	—	1	—	μs
Current consumption in EM0 or EM1 ²	I_{IDAC}	Source mode, excluding output current	—	8.9	13	μA
		Sink mode, excluding output current	—	12	16	μA
Current consumption in EM2 or EM3 ²	I_{IDAC}	Source mode, excluding output current, duty cycle mode, T = 25 °C	—	1.04	—	μA
		Sink mode, excluding output current, duty cycle mode, T = 25 °C	—	1.08	—	μA
		Source mode, excluding output current, duty cycle mode, T ≥ 85 °C	—	8.9	—	μA
		Sink mode, excluding output current, duty cycle mode, T ≥ 85 °C	—	12	—	μA
Output voltage compliance in source mode, source current change relative to current sourced at 0 V	I_{COMP_SRC}	RANGESEL1=0, output voltage = $\min(V_{IOVDD}, V_{AVDD}^2 - 100 \text{ mV})$	—	0.04	—	%
		RANGESEL1=1, output voltage = $\min(V_{IOVDD}, V_{AVDD}^2 - 100 \text{ mV})$	—	0.02	—	%
		RANGESEL1=2, output voltage = $\min(V_{IOVDD}, V_{AVDD}^2 - 150 \text{ mV})$	—	0.02	—	%
		RANGESEL1=3, output voltage = $\min(V_{IOVDD}, V_{AVDD}^2 - 250 \text{ mV})$	—	0.02	—	%
Output voltage compliance in sink mode, sink current change relative to current sunk at IOVDD	I_{COMP_SINK}	RANGESEL1=0, output voltage = 100 mV	—	0.18	—	%
		RANGESEL1=1, output voltage = 100 mV	—	0.12	—	%
		RANGESEL1=2, output voltage = 150 mV	—	0.08	—	%
		RANGESEL1=3, output voltage = 250 mV	—	0.02	—	%

Note:

- In IDAC_CURPROG register
- The IDAC is supplied by either AVDD, DVDD, or IOVDD based on the setting of ANASW in the EMU_PWRCTRL register and PWRSEL in the IDAC_CTRL register. Setting PWRSEL to 1 selects IOVDD. With PWRSEL cleared to 0, ANASW selects between AVDD (0) and DVDD (1).

4.1.15 Analog Comparator (ACMP)

Table 4.24. ACMP

Parameter	Symbol	Test Condition	Min	Typ	Max	Unit
Input voltage range	V_{ACMPIN}	ACMPVDD = ACMPn_CTRL_PWRSEL ¹	0	—	$V_{ACMPVDD}$	V
Supply Voltage	$V_{ACMPVDD}$	BIASPROG ² ≤ 0x10 or FULL- BIAS ² = 0	1.85	—	$V_{VREGVDD_MAX}$	V
		0x10 < BIASPROG ² ≤ 0x20 and FULLBIAS ² = 1	2.1	—	$V_{VREGVDD_MAX}$	V
Active current not including voltage reference	I_{ACMP}	BIASPROG ² = 0x10, FULLBIAS ² = 0	—	306	—	nA
		BIASPROG ² = 0x20, FULLBIAS ² = 1	—	74	95	μA
Current consumption of internal voltage reference	$I_{ACMPREF}$	VLP selected as input using 2.5 V Reference / 4 (0.625 V)	—	50	—	nA
		VLP selected as input using VDD	—	20	—	nA
		VBDIV selected as input using 1.25 V reference / 1	—	4.1	—	μA
		VADIV selected as input using VDD/1	—	2.4	—	μA
Hysteresis ($V_{CM} = 1.25$ V, BIASPROG ² = 0x10, FULL- BIAS ² = 1)	$V_{ACMPHYST}$	HYSTSEL ³ = HYST0	-1.75	0	1.75	mV
		HYSTSEL ³ = HYST1	10	18	26	mV
		HYSTSEL ³ = HYST2	21	32	46	mV
		HYSTSEL ³ = HYST3	27	44	63	mV
		HYSTSEL ³ = HYST4	32	55	80	mV
		HYSTSEL ³ = HYST5	38	65	100	mV
		HYSTSEL ³ = HYST6	43	77	121	mV
		HYSTSEL ³ = HYST7	47	86	148	mV
		HYSTSEL ³ = HYST8	-4	0	4	mV
		HYSTSEL ³ = HYST9	-27	-18	-10	mV
		HYSTSEL ³ = HYST10	-47	-32	-18	mV
		HYSTSEL ³ = HYST11	-64	-43	-27	mV
		HYSTSEL ³ = HYST12	-78	-54	-32	mV
		HYSTSEL ³ = HYST13	-93	-64	-37	mV
		HYSTSEL ³ = HYST14	-113	-74	-42	mV
HYSTSEL ³ = HYST15	-135	-85	-47	mV		

Parameter	Symbol	Test Condition	Min	Typ	Max	Unit
Comparator delay ⁴	$t_{ACMPDELAY}$	BIASPROG ² = 0x10, FULLBIAS ² = 0	—	3.7	—	μs
		BIASPROG ² = 0x20, FULLBIAS ² = 1	—	35	—	ns
Offset voltage	$V_{ACMPOFFSET}$	BIASPROG ² = 0x10, FULLBIAS ² = 1	-35	—	35	mV
Reference Voltage	$V_{ACMPREF}$	Internal 1.25 V reference	1	1.25	1.47	V
		Internal 2.5 V reference	2	2.5	2.8	V
Capacitive Sense Internal Resistance	R_{CSRES}	CSRESSEL ⁵ = 0	—	inf	—	kΩ
		CSRESSEL ⁵ = 1	—	15	—	kΩ
		CSRESSEL ⁵ = 2	—	27	—	kΩ
		CSRESSEL ⁵ = 3	—	39	—	kΩ
		CSRESSEL ⁵ = 4	—	51	—	kΩ
		CSRESSEL ⁵ = 5	—	102	—	kΩ
		CSRESSEL ⁵ = 6	—	164	—	kΩ
		CSRESSEL ⁵ = 7	—	239	—	kΩ

Note:

1. ACMPVDD is a supply chosen by the setting in ACMPn_CTRL_PWRSEL and may be IOVDD, AVDD or DVDD
2. In ACMPn_CTRL register
3. In ACMPn_HYSTERESIS register
4. ±100 mV differential drive
5. In ACMPn_INPUTSEL register

The total ACMP current is the sum of the contributions from the ACMP and its internal voltage reference as given as:

$$I_{ACMPTOTAL} = I_{ACMP} + I_{ACMPREF}$$

$I_{ACMPREF}$ is zero if an external voltage reference is used.

4.1.16 I2C

I2C Standard-mode (Sm)

Table 4.25. I2C Standard-mode (Sm)¹

Parameter	Symbol	Test Condition	Min	Typ	Max	Unit
SCL clock frequency ²	f _{SCL}		0	—	100	kHz
SCL clock low time	t _{LOW}		4.7	—	—	μs
SCL clock high time	t _{HIGH}		4	—	—	μs
SDA set-up time	t _{SU,DAT}		250	—	—	ns
SDA hold time ³	t _{HD,DAT}		100	—	3450	ns
Repeated START condition set-up time	t _{SU,STA}		4.7	—	—	μs
(Repeated) START condition hold time	t _{HD,STA}		4	—	—	μs
STOP condition set-up time	t _{SU,STO}		4	—	—	μs
Bus free time between a STOP and START condition	t _{BUF}		4.7	—	—	μs

Note:

1. For CLHR set to 0 in the I2Cn_CTRL register
2. For the minimum HPPERCLK frequency required in Standard-mode, refer to the I2C chapter in the reference manual
3. The maximum SDA hold time (t_{HD,DAT}) needs to be met only when the device does not stretch the low time of SCL (t_{LOW})

I2C Fast-mode (Fm)

Table 4.26. I2C Fast-mode (Fm)¹

Parameter	Symbol	Test Condition	Min	Typ	Max	Unit
SCL clock frequency ²	f _{SCL}		0	—	400	kHz
SCL clock low time	t _{LOW}		1.3	—	—	μs
SCL clock high time	t _{HIGH}		0.6	—	—	μs
SDA set-up time	t _{SU,DAT}		100	—	—	ns
SDA hold time ³	t _{HD,DAT}		100	—	900	ns
Repeated START condition set-up time	t _{SU,STA}		0.6	—	—	μs
(Repeated) START condition hold time	t _{HD,STA}		0.6	—	—	μs
STOP condition set-up time	t _{SU,STO}		0.6	—	—	μs
Bus free time between a STOP and START condition	t _{BUF}		1.3	—	—	μs

Note:

1. For CLHR set to 1 in the I2Cn_CTRL register
2. For the minimum HPPERCLK frequency required in Fast-mode, refer to the I2C chapter in the reference manual
3. The maximum SDA hold time (t_{HD,DAT}) needs to be met only when the device does not stretch the low time of SCL (t_{LOW})

I2C Fast-mode Plus (Fm+)**Table 4.27. I2C Fast-mode Plus (Fm+)¹**

Parameter	Symbol	Test Condition	Min	Typ	Max	Unit
SCL clock frequency ²	f _{SCL}		0	—	1000	kHz
SCL clock low time	t _{LOW}		0.5	—	—	μs
SCL clock high time	t _{HIGH}		0.26	—	—	μs
SDA set-up time	t _{SU,DAT}		50	—	—	ns
SDA hold time	t _{HD,DAT}		100	—	—	ns
Repeated START condition set-up time	t _{SU,STA}		0.26	—	—	μs
(Repeated) START condition hold time	t _{HD,STA}		0.26	—	—	μs
STOP condition set-up time	t _{SU,STO}		0.26	—	—	μs
Bus free time between a STOP and START condition	t _{BUF}		0.5	—	—	μs

Note:

1. For CLHR set to 0 or 1 in the I2Cn_CTRL register
2. For the minimum HPPERCLK frequency required in Fast-mode Plus, refer to the I2C chapter in the reference manual

4.1.17 USART SPI

SPI Master Timing

Table 4.28. SPI Master Timing

Parameter	Symbol	Test Condition	Min	Typ	Max	Unit
SCLK period ^{1 2}	t_{SCLK}		2 * $t_{HFPERCLK}$	—	—	ns
CS to MOSI ^{1 2}	t_{CS_MO}		0	—	8	ns
SCLK to MOSI ^{1 2}	t_{SCLK_MO}		3	—	20	ns
MISO setup time ^{1 2}	t_{SU_MI}	IOVDD = 1.62 V	56	—	—	ns
		IOVDD = 3.0 V	37	—	—	ns
MISO hold time ^{1 2}	t_{H_MI}		6	—	—	ns

Note:

1. Applies for both CLKPHA = 0 and CLKPHA = 1 (figure only shows CLKPHA = 0)
2. Measurement done with 8 pF output loading at 10% and 90% of V_{DD} (figure shows 50% of V_{DD})

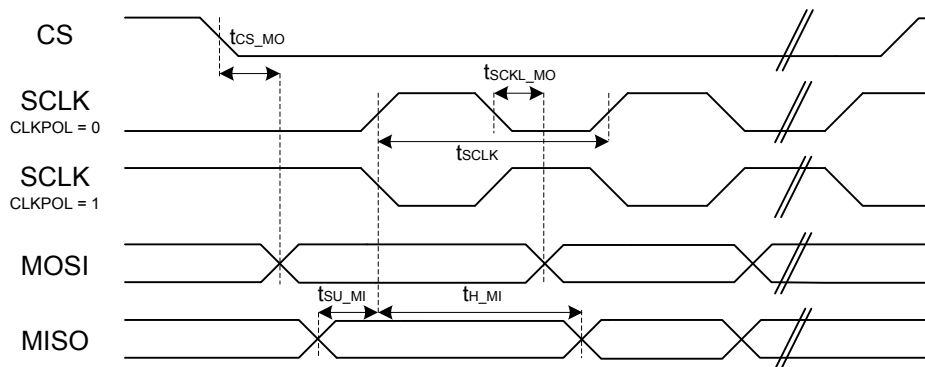


Figure 4.1. SPI Master Timing Diagram (SMSDELAY = 0)

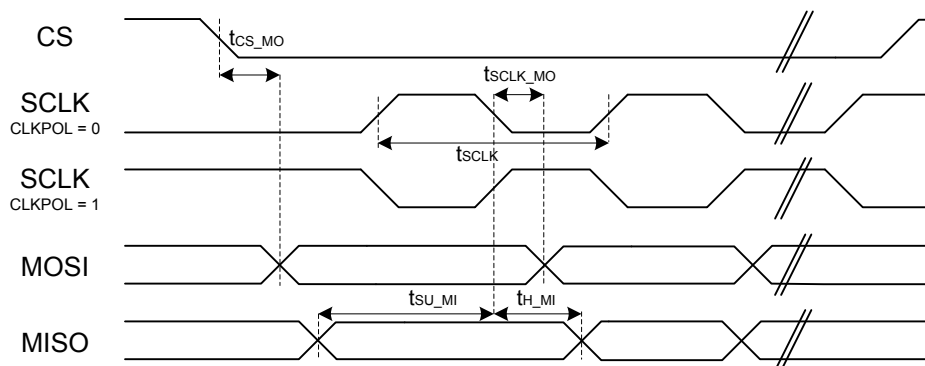


Figure 4.2. SPI Master Timing Diagram (SMSDELAY = 1)

SPI Slave Timing

Table 4.29. SPI Slave Timing

Parameter	Symbol	Test Condition	Min	Typ	Max	Unit
SCKL period ^{1 2}	t_{SCLK_sl}		2 * $t_{HFPERCLK}$	—	—	ns
SCLK high period ^{1 2}	t_{SCLK_hi}		3 * $t_{HFPERCLK}$	—	—	ns
SCLK low period ^{1 2}	t_{SCLK_lo}		3 * $t_{HFPERCLK}$	—	—	ns
CS active to MISO ^{1 2}	$t_{CS_ACT_MI}$		4	—	50	ns
CS disable to MISO ^{1 2}	$t_{CS_DIS_MI}$		4	—	50	ns
MOSI setup time ^{1 2}	t_{SU_MO}		4	—	—	ns
MOSI hold time ^{1 2}	t_{H_MO}		3 + 2 * $t_{HFPERCLK}$	—	—	ns
SCLK to MISO ^{1 2}	t_{SCLK_MI}		16 + $t_{HFPERCLK}$	—	66 + 2 * $t_{HFPERCLK}$	ns

Note:

1. Applies for both CLKPHA = 0 and CLKPHA = 1 (figure only shows CLKPHA = 0)
2. Measurement done with 8 pF output loading at 10% and 90% of V_{DD} (figure shows 50% of V_{DD})

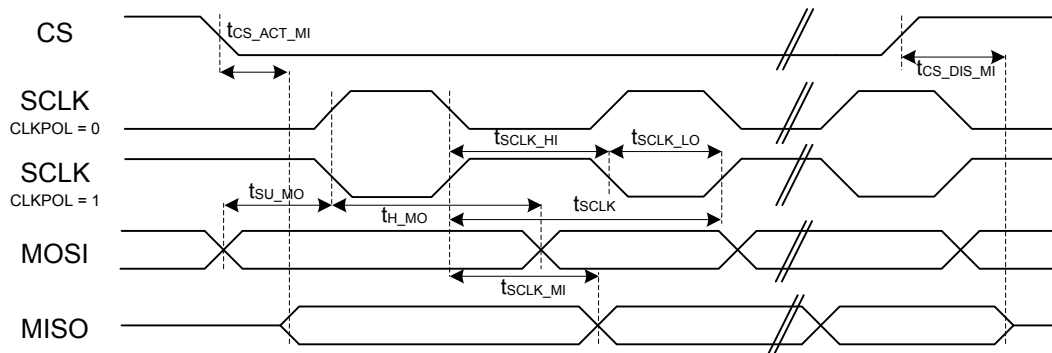


Figure 4.3. SPI Slave Timing Diagram

5. Typical Connection Diagrams

5.1 Typical BGM113 Connections

The figure below shows a typical reference schematic and how to connect:

- Power supplies and ground pins
- Debug port
- Reset line
- Optional UART connection to an external host for Network Co-Processor (NCP) usage

Note: It's recommended to connect the reset line to the host CPU when NCP mode is used.

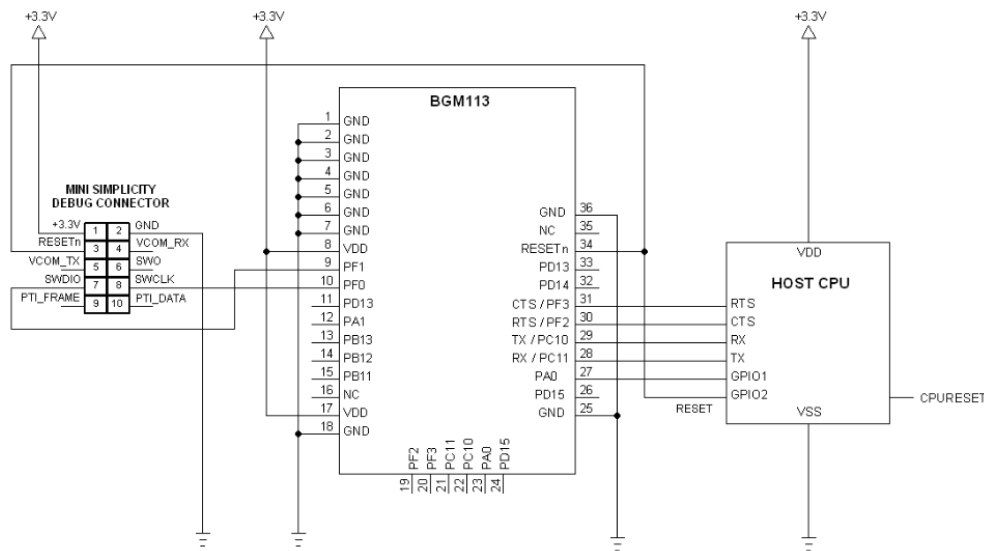


Figure 5.1. Typical Connections for BGM113

5.2 SPI Peripheral Connection

The figure below shows how to connect a SPI peripheral device.

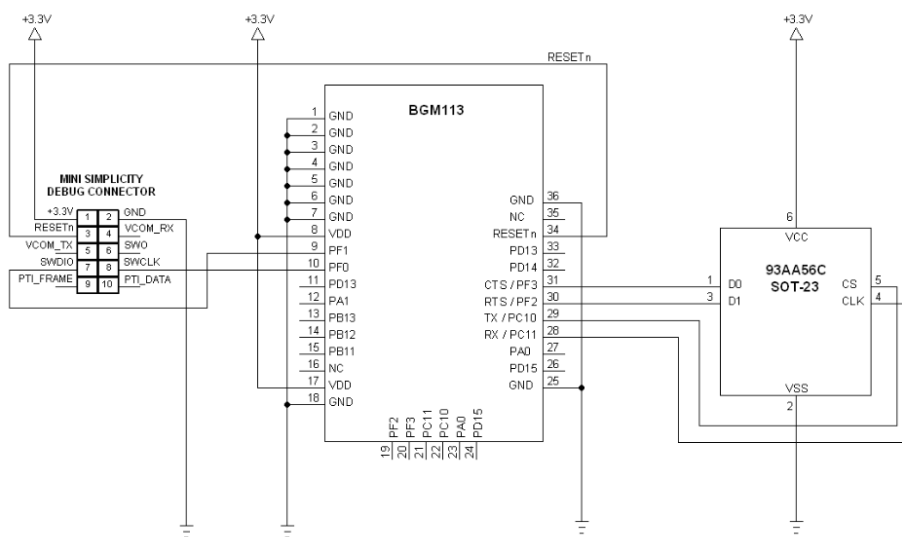


Figure 5.2. SPI Peripheral Connections

5.3 I²C Peripheral Connection

The figure below shows how to connect an I²C peripheral.

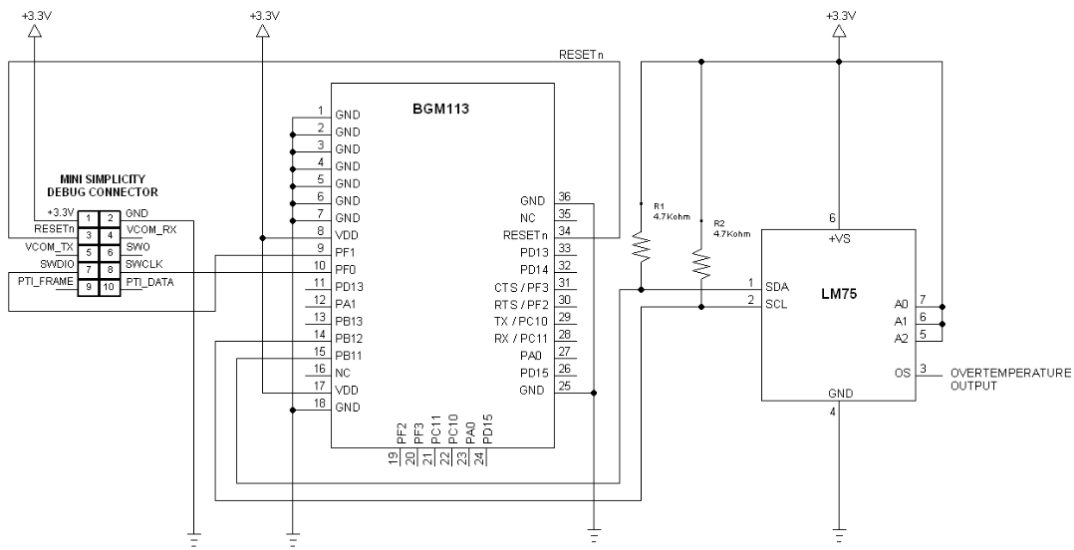


Figure 5.3. BGM113 Module Connected with I²C Device

6. Layout Guidelines

For optimal performance of the BGM113, please follow the PCB layout guidelines and ground plane recommendations indicated in this section.

6.1 Recommended Placement on the Application PCB

For optimal performance of the BGM113 Module, please follow these guidelines:

- Place the module at the edge of the PCB, as shown in the figure below.
- Do not place any metal (traces, components, battery, etc.) within the clearance area of the antenna (shown in the figure below).
- Connect all ground pads directly to a solid ground plane.
- Place the ground vias as close to the ground pads as possible.



Figure 6.1. Recommended Application PCB Layout for the BGM113 Module

The layouts in the next figure will result in severely degraded RF-performance.

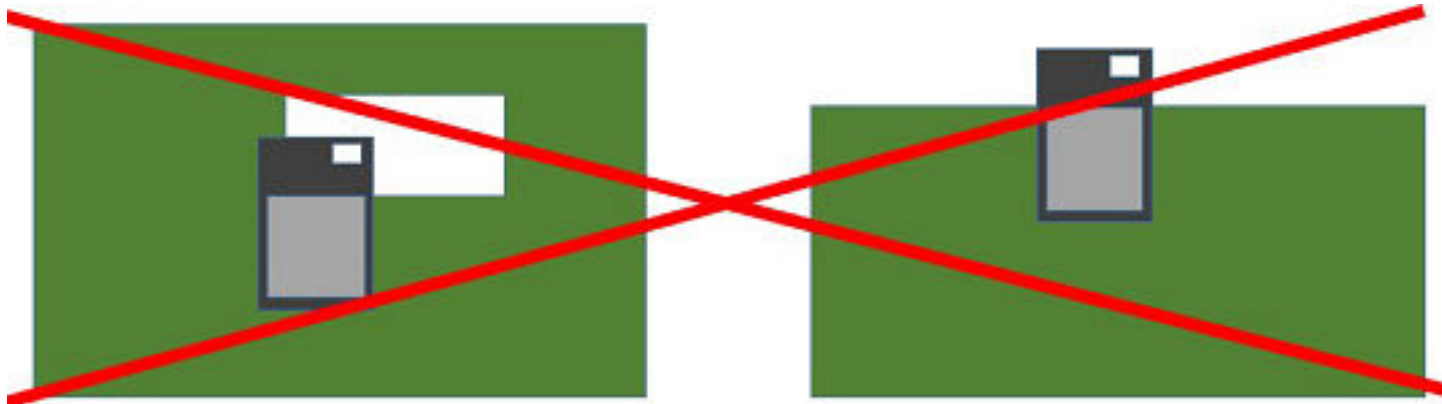


Figure 6.2. Non-optimal Application PCB Layouts for the BGM113 Module

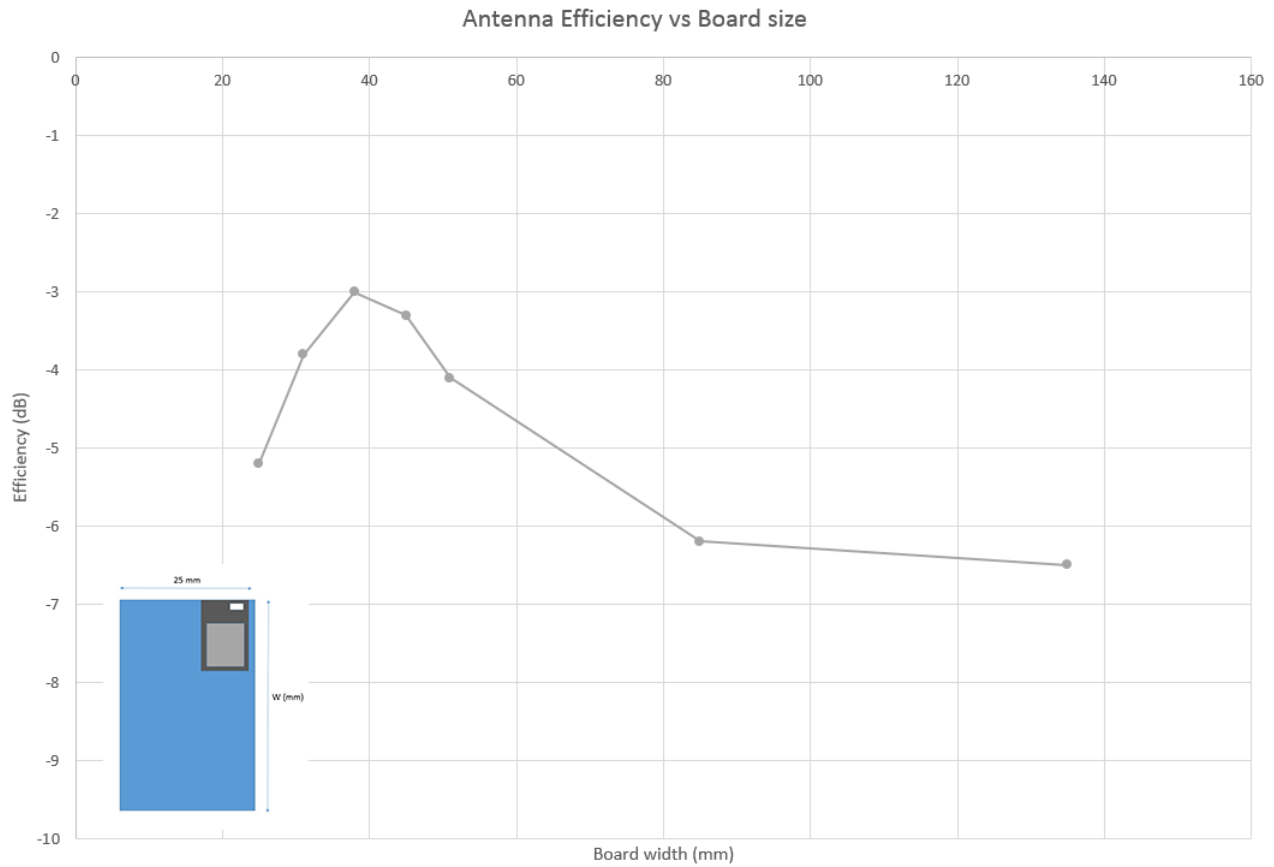


Figure 6.3. Effect of Ground Plane on Antenna Efficiency for the BGM113

6.2 Effect of Plastic and Metal Materials

Do not place plastic or any other dielectric material in close proximity to the antenna.

Any metallic objects in close proximity to the antenna will prevent the antenna from radiating freely. The minimum recommended distance of metallic and/or conductive objects is 10 mm in any direction from the antenna except in the directions of the application PCB ground planes.

6.3 Effect of Human Body

Placing the module in touch or very close to the human body will negatively impact antenna efficiency and reduce range.

6.4 2D Radiation Pattern Plots

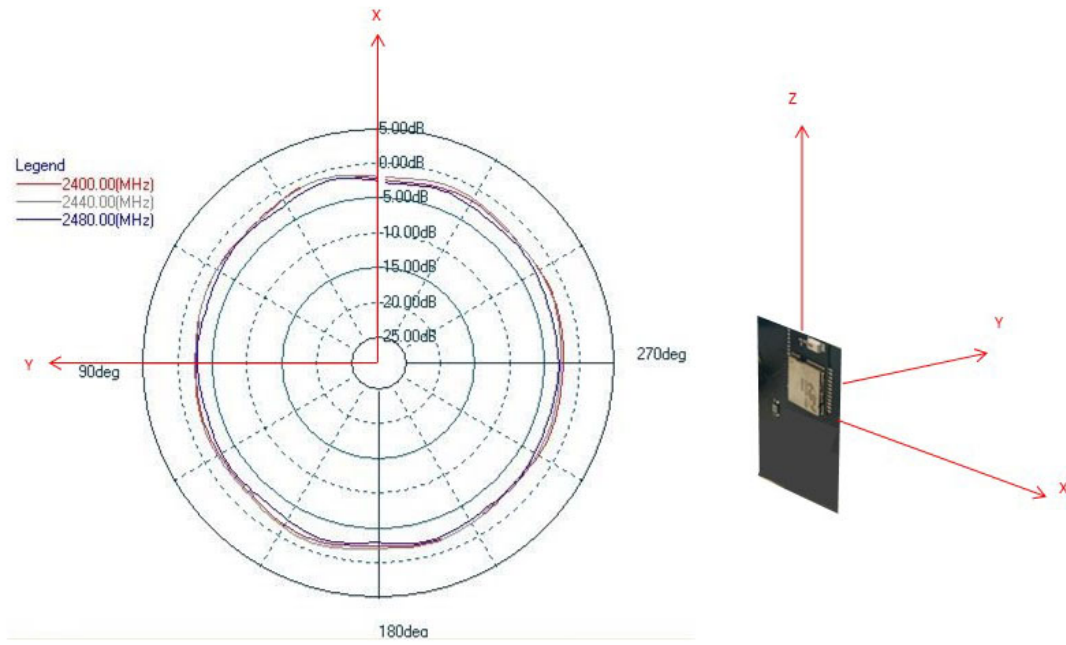


Figure 6.4. Typical 2D Radiation Pattern – Front View

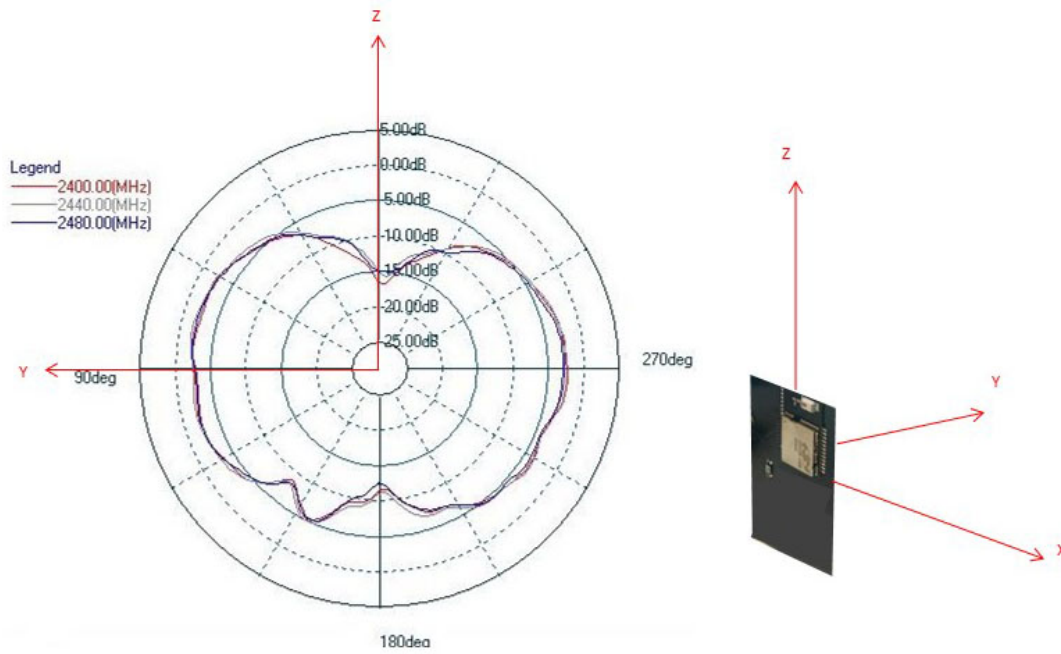


Figure 6.5. Typical 2D Radiation Pattern – Side View

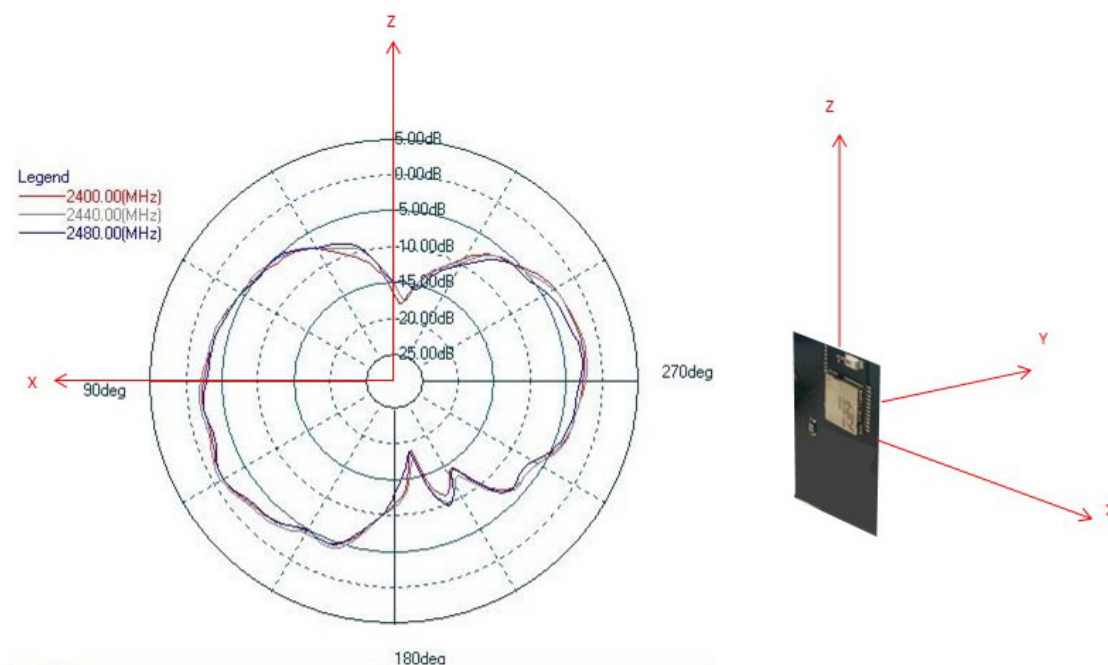


Figure 6.6. Typical 2D Radiation Pattern – Top View

7. Pin Definitions

7.1 BGM113 Definition

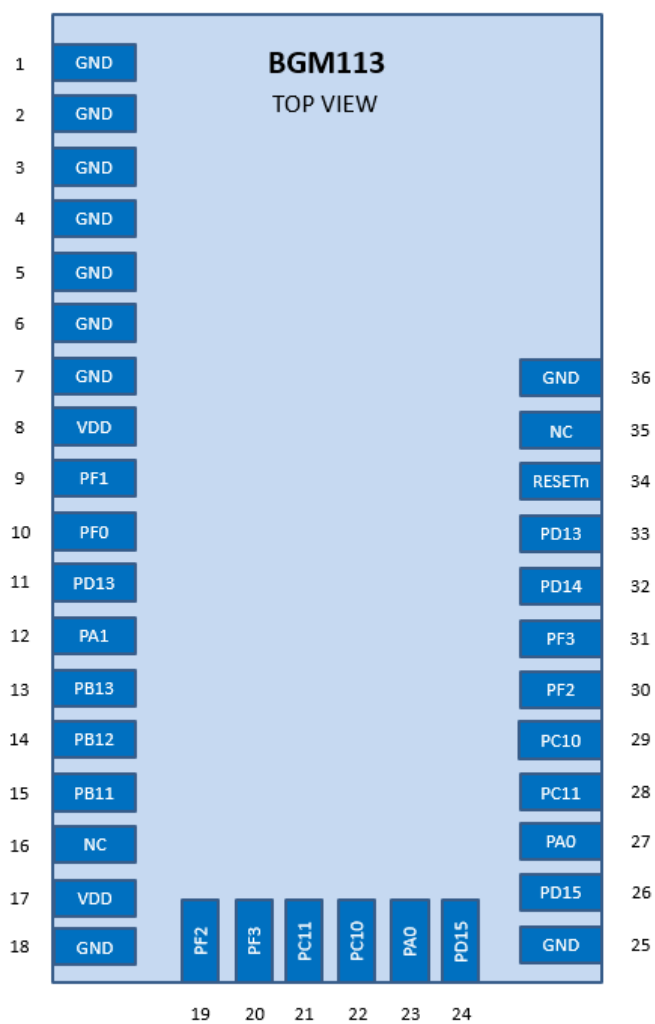


Figure 7.1. BGM113 Pinout

Table 7.1. Device Pinout

Pin# and Name		Pin Alternate Functionality / Description				
Pin #	Pin Name	Analog	Timers	Communication	Radio	Other
1-7, 18, 25, 36	GND	Ground				
10	PF0	BUSAX [ADC0: APORT1XCH16 ACMP0: APORT1XCH16 ACMP1: APORT1XCH16] BUSBY [ADC0: APORT2YCH16 ACMP0: APORT2YCH16 ACMP1: APORT2YCH16]	TIM0_CC0 #24 TIM0_CC1 #23 TIM0_CC2 #22 TIM0_CDTI0 #21 TIM0_CDTI1 #20 TIM0_CDTI2 #19 TIM1_CC0 #24 TIM1_CC1 #23 TIM1_CC2 #22 TIM1_CC3 #21 LE- TIM0_OUT0 #24 LETIM0_OUT1 #23 PCNT0_S0IN #24 PCNT0_S1IN #23	US0_TX #24 US0_RX #23 US0_CLK #22 US0_CS #21 US0_CTS #20 US0_RTS #19 US1_TX #24 US1_RX #23 US1_CLK #22 US1_CS #21 US1_CTS #20 US1_RTS #19 LEU0_TX #24 LEU0_RX #23 I2C0_SDA #24 I2C0_SCL #23	FRC_DCLK #24 FRC_DOUT #23 FRC_DFRAME #22 MODEM_DCLK #24 MODEM_DIN #23 MODEM_DOUT #22 MODEM_ANT0 #21 MODEM_ANT1 #20	PRS_CH0 #0 PRS_CH1 #7 PRS_CH2 #6 PRS_CH3 #5 ACMP0_O #24 ACMP1_O #24 DBG_SWCLKTCK #0
9	PF1	BUSAY [ADC0: APORT1YCH17 ACMP0: APORT1YCH17 ACMP1: APORT1YCH17] BUSBX [ADC0: APORT2XCH17 ACMP0: APORT2XCH17 ACMP1: APORT2XCH17]	TIM0_CC0 #25 TIM0_CC1 #24 TIM0_CC2 #23 TIM0_CDTI0 #22 TIM0_CDTI1 #21 TIM0_CDTI2 #20 TIM1_CC0 #25 TIM1_CC1 #24 TIM1_CC2 #23 TIM1_CC3 #22 LE- TIM0_OUT0 #25 LETIM0_OUT1 #24 PCNT0_S0IN #25 PCNT0_S1IN #24	US0_TX #25 US0_RX #24 US0_CLK #23 US0_CS #22 US0_CTS #21 US0_RTS #20 US1_TX #25 US1_RX #24 US1_CLK #23 US1_CS #22 US1_CTS #21 US1_RTS #20 LEU0_TX #25 LEU0_RX #24 I2C0_SDA #25 I2C0_SCL #24	FRC_DCLK #25 FRC_DOUT #24 FRC_DFRAME #23 MODEM_DCLK #25 MODEM_DIN #24 MODEM_DOUT #23 MODEM_ANT0 #22 MODEM_ANT1 #21	PRS_CH0 #1 PRS_CH1 #0 PRS_CH2 #7 PRS_CH3 #6 ACMP0_O #25 ACMP1_O #25 DBG_SWDIOTMS #0
19, 30	PF2	BUSAX [ADC0: APORT1XCH18 ACMP0: APORT1XCH18 ACMP1: APORT1XCH18] BUSBY [ADC0: APORT2YCH18 ACMP0: APORT2YCH18 ACMP1: APORT2YCH18]	TIM0_CC0 #26 TIM0_CC1 #25 TIM0_CC2 #24 TIM0_CDTI0 #23 TIM0_CDTI1 #22 TIM0_CDTI2 #21 TIM1_CC0 #26 TIM1_CC1 #25 TIM1_CC2 #24 TIM1_CC3 #23 LE- TIM0_OUT0 #26 LETIM0_OUT1 #25 PCNT0_S0IN #26 PCNT0_S1IN #25	US0_TX #26 US0_RX #25 US0_CLK #24 US0_CS #23 US0_CTS #22 US0_RTS #21 US1_TX #26 US1_RX #25 US1_CLK #24 US1_CS #23 US1_CTS #22 US1_RTS #21 LEU0_TX #26 LEU0_RX #25 I2C0_SDA #26 I2C0_SCL #25	FRC_DCLK #26 FRC_DOUT #25 FRC_DFRAME #24 MODEM_DCLK #26 MODEM_DIN #25 MODEM_DOUT #24 MODEM_ANT0 #23 MODEM_ANT1 #22	CMU_CLK0 #6 PRS_CH0 #2 PRS_CH1 #1 PRS_CH2 #0 PRS_CH3 #7 ACMP0_O #26 ACMP1_O #26 DBG_TDO #0 DBG_SWO #0 GPIO_EM4WU0

Pin# and Name		Pin Alternate Functionality / Description				
Pin #	Pin Name	Analog	Timers	Communication	Radio	Other
20, 31	PF3	BUSAY [ADC0: APORT1YCH19 ACMP0: APORT1YCH19 ACMP1: APORT1YCH19] BUSBX [ADC0: APORT2XCH19 ACMP0: APORT2XCH19 ACMP1: APORT2XCH19]	TIM0_CC0 #27 TIM0_CC1 #26 TIM0_CC2 #25 TIM0_CDTI0 #24 TIM0_CDTI1 #23 TIM0_CDTI2 #22 TIM1_CC0 #27 TIM1_CC1 #26 TIM1_CC2 #25 TIM1_CC3 #24 LE- TIM0_OUT0 #27 LETIM0_OUT1 #26 PCNT0_S0IN #27 PCNT0_S1IN #26	US0_TX #27 US0_RX #26 US0_CLK #25 US0_CS #24 US0_CTS #23 US0_RTS #22 US1_TX #27 US1_RX #26 US1_CLK #25 US1_CS #24 US1_CTS #23 US1_RTS #22 LEU0_TX #27 LEU0_RX #26 I2C0_SDA #27 I2C0_SCL #26	FRC_DCLK #27 FRC_DOUT #26 FRC_DFRAME #25 MODEM_DCLK #27 MODEM_DIN #26 MODEM_DOUT #25 MODEM_ANT0 #24 MODEM_ANT1 #23	CMU_CLK1 #6 PRS_CH0 #3 PRS_CH1 #2 PRS_CH2 #1 PRS_CH3 #0 ACMP0_O #27 ACMP1_O #27 DBG_TDI #0
8, 17	VDD	Radio power supply				
34	RESETn	Reset input, active low. To apply an external reset source to this pin, it is required to only drive this pin low during reset, and let the internal pull-up ensure that reset is released.				
11, 33	PD13	BUSCY [ADC0: APORT3YCH5 ACMP0: APORT3YCH5 ACMP1: APORT3YCH5 IDAC0: APORT1YCH5] BUSDX [ADC0: APORT4XCH5 ACMP0: APORT4XCH5 ACMP1: APORT4XCH5]	TIM0_CC0 #21 TIM0_CC1 #20 TIM0_CC2 #19 TIM0_CDTI0 #18 TIM0_CDTI1 #17 TIM0_CDTI2 #16 TIM1_CC0 #21 TIM1_CC1 #20 TIM1_CC2 #19 TIM1_CC3 #18 LE- TIM0_OUT0 #21 LETIM0_OUT1 #20 PCNT0_S0IN #21 PCNT0_S1IN #20	US0_TX #21 US0_RX #20 US0_CLK #19 US0_CS #18 US0_CTS #17 US0_RTS #16 US1_TX #21 US1_RX #20 US1_CLK #19 US1_CS #18 US1_CTS #17 US1_RTS #16 LEU0_TX #21 LEU0_RX #20 I2C0_SDA #21 I2C0_SCL #20	FRC_DCLK #21 FRC_DOUT #20 FRC_DFRAME #19 MODEM_DCLK #21 MODEM_DIN #20 MODEM_DOUT #19 MODEM_ANT0 #18 MODEM_ANT1 #17	PRS_CH3 #12 PRS_CH4 #4 PRS_CH5 #3 PRS_CH6 #15 ACMP0_O #21 ACMP1_O #21
32	PD14	BUSCX [ADC0: APORT3XCH6 ACMP0: APORT3XCH6 ACMP1: APORT3XCH6 IDAC0: APORT1XCH6] BUSDY [ADC0: APORT4YCH6 ACMP0: APORT4YCH6 ACMP1: APORT4YCH6]	TIM0_CC0 #22 TIM0_CC1 #21 TIM0_CC2 #20 TIM0_CDTI0 #19 TIM0_CDTI1 #18 TIM0_CDTI2 #17 TIM1_CC0 #22 TIM1_CC1 #21 TIM1_CC2 #20 TIM1_CC3 #19 LE- TIM0_OUT0 #22 LETIM0_OUT1 #21 PCNT0_S0IN #22 PCNT0_S1IN #21	US0_TX #22 US0_RX #21 US0_CLK #20 US0_CS #19 US0_CTS #18 US0_RTS #17 US1_TX #22 US1_RX #21 US1_CLK #20 US1_CS #19 US1_CTS #18 US1_RTS #17 LEU0_TX #22 LEU0_RX #21 I2C0_SDA #22 I2C0_SCL #21	FRC_DCLK #22 FRC_DOUT #21 FRC_DFRAME #20 MODEM_DCLK #22 MODEM_DIN #21 MODEM_DOUT #20 MODEM_ANT0 #19 MODEM_ANT1 #18	CMU_CLK0 #5 PRS_CH3 #13 PRS_CH4 #5 PRS_CH5 #4 PRS_CH6 #16 ACMP0_O #22 ACMP1_O #22 GPIO_EM4WU4

Pin# and Name		Pin Alternate Functionality / Description				
Pin #	Pin Name	Analog	Timers	Communication	Radio	Other
24, 26	PD15	BUSCY [ADC0: APORT3YCH7 ACMP0: APORT3YCH7 ACMP1: APORT3YCH7 IDAC0: APORT1YCH7] BUSDX [ADC0: APORT4XCH7 ACMP0: APORT4XCH7 ACMP1: APORT4XCH7]	TIM0_CC0 #23 TIM0_CC1 #22 TIM0_CC2 #21 TIM0_CDTI0 #20 TIM0_CDTI1 #19 TIM0_CDTI2 #18 TIM1_CC0 #23 TIM1_CC1 #22 TIM1_CC2 #21 TIM1_CC3 #20 LE- TIM0_OUT0 #23 LETIM0_OUT1 #22 PCNT0_S0IN #23 PCNT0_S1IN #22	US0_TX #23 US0_RX #22 US0_CLK #21 US0_CS #20 US0_CTS #19 US0_RTS #18 US1_TX #23 US1_RX #22 US1_CLK #21 US1_CS #20 US1_CTS #19 US1_RTS #18 LEU0_TX #23 LEU0_RX #22 I2C0_SDA #23 I2C0_SCL #22	FRC_DCLK #23 FRC_DOUT #22 FRC_DFRAME #21 MODEM_DCLK #23 MODEM_DIN #22 MODEM_DOUT #21 MODEM_ANT0 #20 MODEM_ANT1 #19	CMU_CLK1 #5 PRS_CH3 #14 PRS_CH4 #6 PRS_CH5 #5 PRS_CH6 #17 ACMP0_O #23 ACMP1_O #23 DBG_SWO #2
23, 27	PA0	ADC0_EXTN BUSCX [ADC0: APORT3XCH8 ACMP0: APORT3XCH8 ACMP1: APORT3XCH8 IDAC0: APORT1XCH8] BUSDY [ADC0: APORT4YCH8 ACMP0: APORT4YCH8 ACMP1: APORT4YCH8]	TIM0_CC0 #0 TIM0_CC1 #31 TIM0_CC2 #30 TIM0_CDTI0 #29 TIM0_CDTI1 #28 TIM0_CDTI2 #27 TIM1_CC0 #0 TIM1_CC1 #31 TIM1_CC2 #30 TIM1_CC3 #29 LE- TIM0_OUT0 #0 LE- TIM0_OUT1 #31 PCNT0_S0IN #0 PCNT0_S1IN #31	US0_TX #0 US0_RX #31 US0_CLK #30 US0_CS #29 US0_CTS #28 US0_RTS #27 US1_TX #0 US1_RX #31 US1_CLK #30 US1_CS #29 US1_CTS #28 US1_RTS #27 LEU0_TX #0 LEU0_RX #31 I2C0_SDA #0 I2C0_SCL #31	FRC_DCLK #0 FRC_DOUT #31 FRC_DFRAME #30 MODEM_DCLK #0 MODEM_DIN #31 MODEM_DOUT #30 MODEM_ANT0 #29 MODEM_ANT1 #28	CMU_CLK1 #0 PRS_CH6 #0 PRS_CH7 #10 PRS_CH8 #9 PRS_CH9 #8 ACMP0_O #0 ACMP1_O #0
12	PA1	ADC0_EXTP BUSCY [ADC0: APORT3YCH9 ACMP0: APORT3YCH9 ACMP1: APORT3YCH9 IDAC0: APORT1YCH9] BUSDX [ADC0: APORT4XCH9 ACMP0: APORT4XCH9 ACMP1: APORT4XCH9]	TIM0_CC0 #1 TIM0_CC1 #0 TIM0_CC2 #31 TIM0_CDTI0 #30 TIM0_CDTI1 #29 TIM0_CDTI2 #28 TIM1_CC0 #1 TIM1_CC1 #0 TIM1_CC2 #31 TIM1_CC3 #30 LE- TIM0_OUT0 #1 LE- TIM0_OUT1 #0 PCNT0_S0IN #1 PCNT0_S1IN #0	US0_TX #1 US0_RX #0 US0_CLK #31 US0_CS #30 US0_CTS #29 US0_RTS #28 US1_TX #1 US1_RX #0 US1_CLK #31 US1_CS #30 US1_CTS #29 US1_RTS #28 LEU0_TX #1 LEU0_RX #0 I2C0_SDA #1 I2C0_SCL #0	FRC_DCLK #1 FRC_DOUT #0 FRC_DFRAME #31 MODEM_DCLK #1 MODEM_DIN #0 MODEM_DOUT #31 MODEM_ANT0 #30 MODEM_ANT1 #29	CMU_CLK0 #0 PRS_CH6 #1 PRS_CH7 #0 PRS_CH8 #10 PRS_CH9 #9 ACMP0_O #1 ACMP1_O #1

Pin# and Name		Pin Alternate Functionality / Description				
Pin #	Pin Name	Analog	Timers	Communication	Radio	Other
15	PB11	BUSCY [ADC0: APORT3YCH27 ACMP0: APORT3YCH27 ACMP1: APORT3YCH27 IDAC0: APORT1YCH27] BUSDX [ADC0: APORT4XCH27 ACMP0: APORT4XCH27 ACMP1: APORT4XCH27]	TIM0_CC0 #6 TIM0_CC1 #5 TIM0_CC2 #4 TIM0_CDT10 #3 TIM0_CDT11 #2 TIM0_CDT12 #1 TIM1_CC0 #6 TIM1_CC1 #5 TIM1_CC2 #4 TIM1_CC3 #3 LE- TIM0_OUT0 #6 LE- TIM0_OUT1 #5 PCNT0_S0IN #6 PCNT0_S1IN #5	US0_TX #6 US0_RX #5 US0_CLK #4 US0_CS #3 US0_CTS #2 US0_RTS #1 US1_TX #6 US1_RX #5 US1_CLK #4 US1_CS #3 US1_CTS #2 US1_RTS #1 LEU0_TX #6 LEU0_RX #5 I2C0_SDA #6 I2C0_SCL #5	FRC_DCLK #6 FRC_DOUT #5 FRC_DFRAME #4 MODEM_DCLK #6 MODEM_DIN #5 MODEM_DOUT #4 MODEM_ANT0 #3 MODEM_ANT1 #2	PRS_CH6 #6 PRS_CH7 #5 PRS_CH8 #4 PRS_CH9 #3 ACMP0_O #6 ACMP1_O #6
14	PB12	BUSCX [ADC0: APORT3XCH28 ACMP0: APORT3XCH28 ACMP1: APORT3XCH28 IDAC0: APORT1XCH28] BUSDY [ADC0: APORT4YCH28 ACMP0: APORT4YCH28 ACMP1: APORT4YCH28]	TIM0_CC0 #7 TIM0_CC1 #6 TIM0_CC2 #5 TIM0_CDT10 #4 TIM0_CDT11 #3 TIM0_CDT12 #2 TIM1_CC0 #7 TIM1_CC1 #6 TIM1_CC2 #5 TIM1_CC3 #4 LE- TIM0_OUT0 #7 LE- TIM0_OUT1 #6 PCNT0_S0IN #7 PCNT0_S1IN #6	US0_TX #7 US0_RX #6 US0_CLK #5 US0_CS #4 US0_CTS #3 US0_RTS #2 US1_TX #7 US1_RX #6 US1_CLK #5 US1_CS #4 US1_CTS #3 US1_RTS #2 LEU0_TX #7 LEU0_RX #6 I2C0_SDA #7 I2C0_SCL #6	FRC_DCLK #7 FRC_DOUT #6 FRC_DFRAME #5 MODEM_DCLK #7 MODEM_DIN #6 MODEM_DOUT #5 MODEM_ANT0 #4 MODEM_ANT1 #3	PRS_CH6 #7 PRS_CH7 #6 PRS_CH8 #5 PRS_CH9 #4 ACMP0_O #7 ACMP1_O #7
13	PB13	BUSCY [ADC0: APORT3YCH29 ACMP0: APORT3YCH29 ACMP1: APORT3YCH29 IDAC0: APORT1YCH29] BUSDX [ADC0: APORT4XCH29 ACMP0: APORT4XCH29 ACMP1: APORT4XCH29]	TIM0_CC0 #8 TIM0_CC1 #7 TIM0_CC2 #6 TIM0_CDT10 #5 TIM0_CDT11 #4 TIM0_CDT12 #3 TIM1_CC0 #8 TIM1_CC1 #7 TIM1_CC2 #6 TIM1_CC3 #5 LE- TIM0_OUT0 #8 LE- TIM0_OUT1 #7 PCNT0_S0IN #8 PCNT0_S1IN #7	US0_TX #8 US0_RX #7 US0_CLK #6 US0_CS #5 US0_CTS #4 US0_RTS #3 US1_TX #8 US1_RX #7 US1_CLK #6 US1_CS #5 US1_CTS #4 US1_RTS #3 LEU0_TX #8 LEU0_RX #7 I2C0_SDA #8 I2C0_SCL #7	FRC_DCLK #8 FRC_DOUT #7 FRC_DFRAME #6 MODEM_DCLK #8 MODEM_DIN #7 MODEM_DOUT #6 MODEM_ANT0 #5 MODEM_ANT1 #4	PRS_CH6 #8 PRS_CH7 #7 PRS_CH8 #6 PRS_CH9 #5 ACMP0_O #8 ACMP1_O #8 DBG_SWO #1 GPIO_EM4WU9

Pin# and Name		Pin Alternate Functionality / Description				
Pin #	Pin Name	Analog	Timers	Communication	Radio	Other
22, 29	PC10	BUSAX [ADC0: APORT1XCH10 ACMP0: APORT1XCH10 ACMP1: APORT1XCH10] BUSBY [ADC0: APORT2YCH10 ACMP0: APORT2YCH10 ACMP1: APORT2YCH10]	TIM0_CC0 #15 TIM0_CC1 #14 TIM0_CC2 #13 TIM0_CDTI0 #12 TIM0_CDTI1 #11 TIM0_CDTI2 #10 TIM1_CC0 #15 TIM1_CC1 #14 TIM1_CC2 #13 TIM1_CC3 #12 LE- TIM0_OUT0 #15 LETIM0_OUT1 #14 PCNT0_S0IN #15 PCNT0_S1IN #14	US0_TX #15 US0_RX #14 US0_CLK #13 US0_CS #12 US0_CTS #11 US0_RTS #10 US1_TX #15 US1_RX #14 US1_CLK #13 US1_CS #12 US1_CTS #11 US1_RTS #10 LEU0_TX #15 LEU0_RX #14 I2C0_SDA #15 I2C0_SCL #14	FRC_DCLK #15 FRC_DOUT #14 FRC_DFRAME #13 MODEM_DCLK #15 MODEM_DIN #14 MODEM_DOUT #13 MODEM_ANT0 #12 MODEM_ANT1 #11	CMU_CLK1 #3 PRS_CH0 #12 PRS_CH9 #15 PRS_CH10 #4 PRS_CH11 #3 ACMP0_O #15 ACMP1_O #15 GPIO_EM4WU12
21, 28	PC11	BUSAY [ADC0: APORT1YCH11 ACMP0: APORT1YCH11 ACMP1: APORT1YCH11] BUSBX [ADC0: APORT2XCH11 ACMP0: APORT2XCH11 ACMP1: APORT2XCH11]	TIM0_CC0 #16 TIM0_CC1 #15 TIM0_CC2 #14 TIM0_CDTI0 #13 TIM0_CDTI1 #12 TIM0_CDTI2 #11 TIM1_CC0 #16 TIM1_CC1 #15 TIM1_CC2 #14 TIM1_CC3 #13 LE- TIM0_OUT0 #16 LETIM0_OUT1 #15 PCNT0_S0IN #16 PCNT0_S1IN #15	US0_TX #16 US0_RX #15 US0_CLK #14 US0_CS #13 US0_CTS #12 US0_RTS #11 US1_TX #16 US1_RX #15 US1_CLK #14 US1_CS #13 US1_CTS #12 US1_RTS #11 LEU0_TX #16 LEU0_RX #15 I2C0_SDA #16 I2C0_SCL #15	FRC_DCLK #16 FRC_DOUT #15 FRC_DFRAME #14 MODEM_DCLK #16 MODEM_DIN #15 MODEM_DOUT #14 MODEM_ANT0 #13 MODEM_ANT1 #12	CMU_CLK0 #3 PRS_CH0 #13 PRS_CH9 #16 PRS_CH10 #5 PRS_CH11 #4 ACMP0_O #16 ACMP1_O #16 DBG_SWO #3
16, 35	NC					

7.1.1 BGM113 GPIO Overview

The GPIO pins are organized as 16-bit ports indicated by letters A through F, and the individual pins on each port are indicated by a number from 15 down to 0.

Table 7.2. GPIO Pinout

Port	Pin 15	Pin 14	Pin 13	Pin 12	Pin 11	Pin 10	Pin 9	Pin 8	Pin 7	Pin 6	Pin 5	Pin 4	Pin 3	Pin 2	Pin 1	Pin 0
Port A	-	-	-	-	-	-	-	-	-	-	-	-	-	-	PA1	PA0
Port B	-	-	PB13 (5V)	PB12 (5V)	PB11 (5V)	-	-	-	-	-	-	-	-	-	-	-
Port C	-	-	-	-	PC11 (5V)	PC10 (5V)	-	-	-	-	-	-	-	-	-	-
Port D	PD15 (5V)	PD14 (5V)	PD13 (5V)	-	-	-	-	-	-	-	-	-	-	-	-	-
Port E	-	-	-	-	-	-	-	-	-	-	-	-	-	-	-	-
Port F	-	-	-	-	-	-	-	-	-	-	-	-	PF3 (5V)	PF2 (5V)	PF1 (5V)	PF0 (5V)

Note: GPIO with 5V tolerance are indicated by (5V).

Note: The pins PB13, PB11, PD15, PD14 and PD13 will not be 5V tolerant on all future devices. In order to preserve upgrade options with full hardware compatibility, do not use these pins on 5V domains.

7.2 Alternate Functionality Pinout

A wide selection of alternate functionality is available for multiplexing to various pins. The following table shows the name of the alternate functionality in the first column, followed by columns showing the possible LOCATION bitfield settings.

Note: Some functionality, such as analog interfaces, do not have alternate settings or a LOCATION bitfield. In these cases, the pinout is shown in the column corresponding to LOCATION 0.

Table 7.3. Alternate functionality overview

Alternate	LOCATION								
Functionality	0 - 3	4 - 7	8 - 11	12 - 15	16 - 19	20 - 23	24 - 27	28 - 31	Description
ACMP0_O	0: PA0 1: PA1	6: PB11 7: PB12	8: PB13	15: PC10	16: PC11	21: PD13 22: PD14 23: PD15	24: PF0 25: PF1 26: PF2 27: PF3		Analog comparator ACMP0, digital output.
ACMP1_O	0: PA0 1: PA1	6: PB11 7: PB12	8: PB13	15: PC10	16: PC11	21: PD13 22: PD14 23: PD15	24: PF0 25: PF1 26: PF2 27: PF3		Analog comparator ACMP1, digital output.
ADC0_EXTN	0: PA0								Analog to digital converter ADC0 external reference input negative pin
ADC0_EXTP	0: PA1								Analog to digital converter ADC0 external reference input positive pin
CMU_CLK0	0: PA1 3: PC11	5: PD14 6: PF2							Clock Management Unit, clock output number 0.
CMU_CLK1	0: PA0 3: PC10	5: PD15 6: PF3							Clock Management Unit, clock output number 1.
DBG_SWCLKTCK	0: PF0								Debug-interface Serial Wire clock input and JTAG Test Clock. Note that this function is enabled to the pin out of reset, and has a built-in pull down.
DBG_SWDIOTMS	0: PF1								Debug-interface Serial Wire data input / output and JTAG Test Mode Select. Note that this function is enabled to the pin out of reset, and has a built-in pull up.

Alternate	LOCATION								
Functionality	0 - 3	4 - 7	8 - 11	12 - 15	16 - 19	20 - 23	24 - 27	28 - 31	Description
DBG_SWO	0: PF2 1: PB13 2: PD15 3: PC11								Debug-interface Serial Wire viewer Output. Note that this function is not enabled after reset, and must be enabled by software to be used.
DBG_TDI	0: PF3								Debug-interface JTAG Test Data In. Note that this function is enabled to pin out of reset, and has a built-in pull up.
DBG_TDO	0: PF2								Debug-interface JTAG Test Data Out. Note that this function is enabled to pin out of reset.
FRC_DCLK	0: PA0 1: PA1	6: PB11 7: PB12	8: PB13	15: PC10	16: PC11	21: PD13 22: PD14 23: PD15	24: PF0 25: PF1 26: PF2 27: PF3		Frame Controller, Data Sniffer Clock.
FRC_DFRAME		4: PB11 5: PB12 6: PB13		13: PC10 14: PC11	19: PD13	20: PD14 21: PD15 22: PF0 23: PF1	24: PF2 25: PF3	30: PA0 31: PA1	Frame Controller, Data Sniffer Frame active
FRC_DOUT	0: PA1	5: PB11 6: PB12 7: PB13		14: PC10 15: PC11		20: PD13 21: PD14 22: PD15 23: PF0	24: PF1 25: PF2 26: PF3	31: PA0	Frame Controller, Data Sniffer Output.
GPIO_EM4WU0	0: PF2								Pin can be used to wake the system up from EM4
GPIO_EM4WU1									Pin can be used to wake the system up from EM4
GPIO_EM4WU4	0: PD14								Pin can be used to wake the system up from EM4
GPIO_EM4WU8									Pin can be used to wake the system up from EM4

Alternate	LOCATION								
Functionality	0 - 3	4 - 7	8 - 11	12 - 15	16 - 19	20 - 23	24 - 27	28 - 31	Description
GPIO_EM4WU9	0: PB13								Pin can be used to wake the system up from EM4
GPIO_EM4WU12	0: PC10								Pin can be used to wake the system up from EM4
I2C0_SCL	0: PA1	5: PB11 6: PB12 7: PB13		14: PC10 15: PC11		20: PD13 21: PD14 22: PD15 23: PF0	24: PF1 25: PF2 26: PF3	31: PA0	I2C0 Serial Clock Line input / output.
I2C0_SDA	0: PA0 1: PA1	6: PB11 7: PB12	8: PB13	15: PC10	16: PC11	21: PD13 22: PD14 23: PD15	24: PF0 25: PF1 26: PF2 27: PF3		I2C0 Serial Data input / output.
LETIM0_OUT0	0: PA0 1: PA1	6: PB11 7: PB12	8: PB13	15: PC10	16: PC11	21: PD13 22: PD14 23: PD15	24: PF0 25: PF1 26: PF2 27: PF3		Low Energy Timer LETIM0, output channel 0.
LETIM0_OUT1	0: PA1	5: PB11 6: PB12 7: PB13		14: PC10 15: PC11		20: PD13 21: PD14 22: PD15 23: PF0	24: PF1 25: PF2 26: PF3	31: PA0	Low Energy Timer LETIM0, output channel 1.
LEU0_RX	0: PA1	5: PB11 6: PB12 7: PB13		14: PC10 15: PC11		20: PD13 21: PD14 22: PD15 23: PF0	24: PF1 25: PF2 26: PF3	31: PA0	LEUART0 Receive input.
LEU0_TX	0: PA0 1: PA1	6: PB11 7: PB12	8: PB13	15: PC10	16: PC11	21: PD13 22: PD14 23: PD15	24: PF0 25: PF1 26: PF2 27: PF3		LEUART0 Transmit output. Also used as receive input in half duplex communication.
MODEM_ANT0		4: PB12 5: PB13		12: PC10 13: PC11	18: PD13 19: PD14	20: PD15 21: PF0 22: PF1 23: PF2	24: PF3	29: PA0 30: PA1	MODEM antenna control output 0, used for antenna diversity.
MODEM_ANT1		4: PB13	11: PC10	12: PC11	17: PD13 18: PD14 19: PD15	20: PF0 21: PF1 22: PF2 23: PF3		28: PA0 29: PA1	MODEM antenna control output 1, used for antenna diversity.
MODEM_DCLK	0: PA0 1: PA1	6: PB11 7: PB12	8: PB13	15: PC10	16: PC11	21: PD13 22: PD14 23: PD15	24: PF0 25: PF1 26: PF2 27: PF3		MODEM data clock out.
MODEM_DIN	0: PA1	5: PB11 6: PB12 7: PB13		14: PC10 15: PC11		20: PD13 21: PD14 22: PD15 23: PF0	24: PF1 25: PF2 26: PF3	31: PA0	MODEM data in.
MODEM_DOUT		4: PB11 5: PB12 6: PB13		13: PC10 14: PC11	19: PD13	20: PD14 21: PD15 22: PF0 23: PF1	24: PF2 25: PF3	30: PA0 31: PA1	MODEM data out.

Alternate	LOCATION								
Functionality	0 - 3	4 - 7	8 - 11	12 - 15	16 - 19	20 - 23	24 - 27	28 - 31	Description
PCNT0_S0IN	0: PA0 1: PA1	6: PB11 7: PB12	8: PB13	15: PC10	16: PC11	2 21: PD13 22: PD14 23: PD15	24: PF0 25: PF1 26: PF2 27: PF3		Pulse Counter PCNT0 input number 0.
PCNT0_S1IN	0: PA1	5: PB11 6: PB12 7: PB13		14: PC10 15: PC11		20: PD13 21: PD14 22: PD15 23: PF0	24: PF1 25: PF2 26: PF3	31: PA0	Pulse Counter PCNT0 input number 1.
PRS_CH0	0: PF0 1: PF1 2: PF2 3: PF3			12: PC10 13: PC11					Peripheral Reflex System PRS, channel 0.
PRS_CH1	0: PF1 1: PF2 2: PF3	7: PF0							Peripheral Reflex System PRS, channel 1.
PRS_CH2	0: PF2 1: PF3	6: PF0 7: PF1							Peripheral Reflex System PRS, channel 2.
PRS_CH3	0: PF3	5: PF0 6: PF1 7: PF2		12: PD13 13: PD14 14: PD15					Peripheral Reflex System PRS, channel 3.
PRS_CH4		4: PD13 5: PD14 6: PD15							Peripheral Reflex System PRS, channel 4.
PRS_CH5		4: PD14 5: PD15							Peripheral Reflex System PRS, channel 5.
	3: PD13								
PRS_CH6	0: PA0 1: PA1	6: PB11 7: PB12	8: PB13	15: PD13	16: PD14 17: PD15				Peripheral Reflex System PRS, channel 6.
PRS_CH7	0: PA1	5: PB11 6: PB12 7: PB13	10: PA0						Peripheral Reflex System PRS, channel 7.
PRS_CH8		4: PB11 5: PB12 6: PB13	9: PA0 10: PA1						Peripheral Reflex System PRS, channel 8.
PRS_CH9	3: PB11	4: PB12 5: PB13	8: PA0 9: PA1	15: PC10	16: PC11				Peripheral Reflex System PRS, channel 9.
PRS_CH10		4: PC10 5: PC11							Peripheral Reflex System PRS, channel 10.

Alternate	LOCATION								
Functionality	0 - 3	4 - 7	8 - 11	12 - 15	16 - 19	20 - 23	24 - 27	28 - 31	Description
PRS_CH11	3: PC10	4: PC11							Peripheral Reflex System PRS, channel 11.
TIM0_CC0	0: PA0 1: PA1	6: PB11 7: PB12	8: PB13	15: PC10	16: PC11	21: PD13 22: PD14 23: PD15	24: PF0 25: PF1 26: PF2 27: PF3		Timer 0 Capture Compare input / output channel 0.
TIM0_CC1	0: PA1	5: PB11 6: PB12 7: PB13		14: PC10 15: PC11		20: PD13 21: PD14 22: PD15 23: PF0	24: PF1 25: PF2 26: PF3	31: PA0	Timer 0 Capture Compare input / output channel 1.
TIM0_CC2		4: PB11 5: PB12 6: PB13		13: PC10 14: PC11	19: PD13	20: PD14 21: PD15 22: PF0 23: PF1	24: PF2 25: PF3	30: PA0 31: PA1	Timer 0 Capture Compare input / output channel 2.
TIM0_CDT10	3: PB11	4: PB12 5: PB13		12: PC10 13: PC11	18: PD13 19: PD14	20: PD15 21: PF0 22: PF1 23: PF2	24: PF3	29: PA0 30: PA1	Timer 0 Complimentary Dead Time Insertion channel 0.
TIM0_CDT11	2: PB11 3: PB12	4: PB13	11: PC10	12: PC11	17: PD13 18: PD14 19: PD15	20: PF0 21: PF1 22: PF2 23: PF3		28: PA0 29: PA1	Timer 0 Complimentary Dead Time Insertion channel 1.
TIM0_CDT12	1: PB11 2: PB12 3: PB13		10: PC10 11: PC11		16: PD13 17: PD14 18: PD15 19: PF0	20: PF1 21: PF2 22: PF3 2	27: PA0	28: PA1	Timer 0 Complimentary Dead Time Insertion channel 2.
TIM1_CC0	0: PA0 1: PA1	6: PB11 7: PB12	8: PB13	15: PC10	16: PC11	2 21: PD13 22: PD14 23: PD15	24: PF0 25: PF1 26: PF2 27: PF3		Timer 1 Capture Compare input / output channel 0.
TIM1_CC1	0: PA1	5: PB11 6: PB12 7: PB13		14: PC10 15: PC11		20: PD13 21: PD14 22: PD15 23: PF0	24: PF1 25: PF2 26: PF3	31: PA0	Timer 1 Capture Compare input / output channel 1.
TIM1_CC2		4: PB11 5: PB12 6: PB13		13: PC10 14: PC11	19: PD13	20: PD14 21: PD15 22: PF0 23: PF1	24: PF2 25: PF3	30: PA0 31: PA1	Timer 1 Capture Compare input / output channel 2.
TIM1_CC3	3: PB11	4: PB12 5: PB13		12: PC10 13: PC11	18: PD13 19: PD14	20: PD15 21: PF0 22: PF1 23: PF2	24: PF3	29: PA0 30: PA1	Timer 1 Capture Compare input / output channel 3.
US0_CLK		4: PB11 5: PB12 6: PB13		13: PC10 14: PC11	19: PD13	20: PD14 21: PD15 22: PF0 23: PF1	24: PF2 25: PF3	30: PA0 31: PA1	USART0 clock input / output.
US0_CS	3: PB11	4: PB12 5: PB13		12: PC10 13: PC11	18: PD13 19: PD14	20: PD15 21: PF0 22: PF1 23: PF2	24: PF3	29: PA0 30: PA1	USART0 chip select input / output.

Alternate	LOCATION								
Functionality	0 - 3	4 - 7	8 - 11	12 - 15	16 - 19	20 - 23	24 - 27	28 - 31	Description
US0_CTS	2: PB11 3: PB12	4: PB13	11: PC10	12: PC11	17: PD13 18: PD14 19: PD15	20: PF0 21: PF1 22: PF2 23: PF3		28: PA0 29: PA1	USART0 Clear To Send hardware flow control input.
US0_RTS	1: PB11 2: PB12 3: PB13		10: PC10 11: PC11		16: PD13 17: PD14 18: PD15 19: PF0	20: PF1 21: PF2 22: PF3 2	27: PA0	28: PA1	USART0 Request To Send hardware flow control output.
US0_RX	0: PA1	5: PB11 6: PB12 7: PB13		14: PC10 15: PC11		20: PD13 21: PD14 22: PD15 23: PF0	24: PF1 25: PF2 26: PF3	31: PA0	USART0 Asynchronous Receive. USART0 Synchronous mode Master Input / Slave Output (MISO).
US0_TX	0: PA0 1: PA1	6: PB11 7: PB12	8: PB13	15: PC10	16: PC11	21: PD13 22: PD14 23: PD15	24: PF0 25: PF1 26: PF2 27: PF3		USART0 Asynchronous Transmit. Also used as receive input in half duplex communication. USART0 Synchronous mode Master Output / Slave Input (MOSI).
US1_CLK		4: PB11 5: PB12 6: PB13		13: PC10 14: PC11	19: PD13	20: PD14 21: PD15 22: PF0 23: PF1	24: PF2 25: PF3	30: PA0 31: PA1	USART1 clock input / output.
US1_CS	3: PB11	4: PB12 5: PB13		12: PC10 13: PC11	18: PD13 19: PD14	20: PD15 21: PF0 22: PF1 23: PF2	24: PF3	29: PA0 30: PA1	USART1 chip select input / output.
US1_CTS	2: PB11 3: PB12	4: PB13	11: PC10	12: PC11	17: PD13 18: PD14 19: PD15	20: PF0 21: PF1 22: PF2 23: PF3		28: PA0 29: PA1	USART1 Clear To Send hardware flow control input.
US1_RTS	1: PB11 2: PB12 3: PB13		10: PC10 11: PC11		16: PD13 17: PD14 18: PD15 19: PF0	20: PF1 21: PF2 22: PF3	27: PA0	28: PA1	USART1 Request To Send hardware flow control output.
US1_RX	0: PA1	5: PB11 6: PB12 7: PB13		14: PC10 15: PC11		20: PD13 21: PD14 22: PD15 23: PF0	24: PF1 25: PF2 26: PF3	31: PA0	USART1 Asynchronous Receive. USART1 Synchronous mode Master Input / Slave Output (MISO).

Alternate	LOCATION								
Functionality	0 - 3	4 - 7	8 - 11	12 - 15	16 - 19	20 - 23	24 - 27	28 - 31	Description
US1_TX	0: PA0 1: PA1	6: PB11 7: PB12	8: PB13	15: PC10	16: PC11	21: PD13 22: PD14 23: PD15	24: PF0 25: PF1 26: PF2 27: PF3		USART1 Asynchronous Transmit. Also used as receive input in half duplex communication. USART1 Synchronous mode Master Output / Slave Input (MOSI).

7.3 Analog Port (APORT)

The Analog Port (APORT) is an infrastructure used to connect chip pins with on-chip analog clients such as analog comparators, ADCs, and DACs. The APORT consists of wires, switches, and control needed to configurably implement the routes. Please see the device Reference Manual for a complete description.

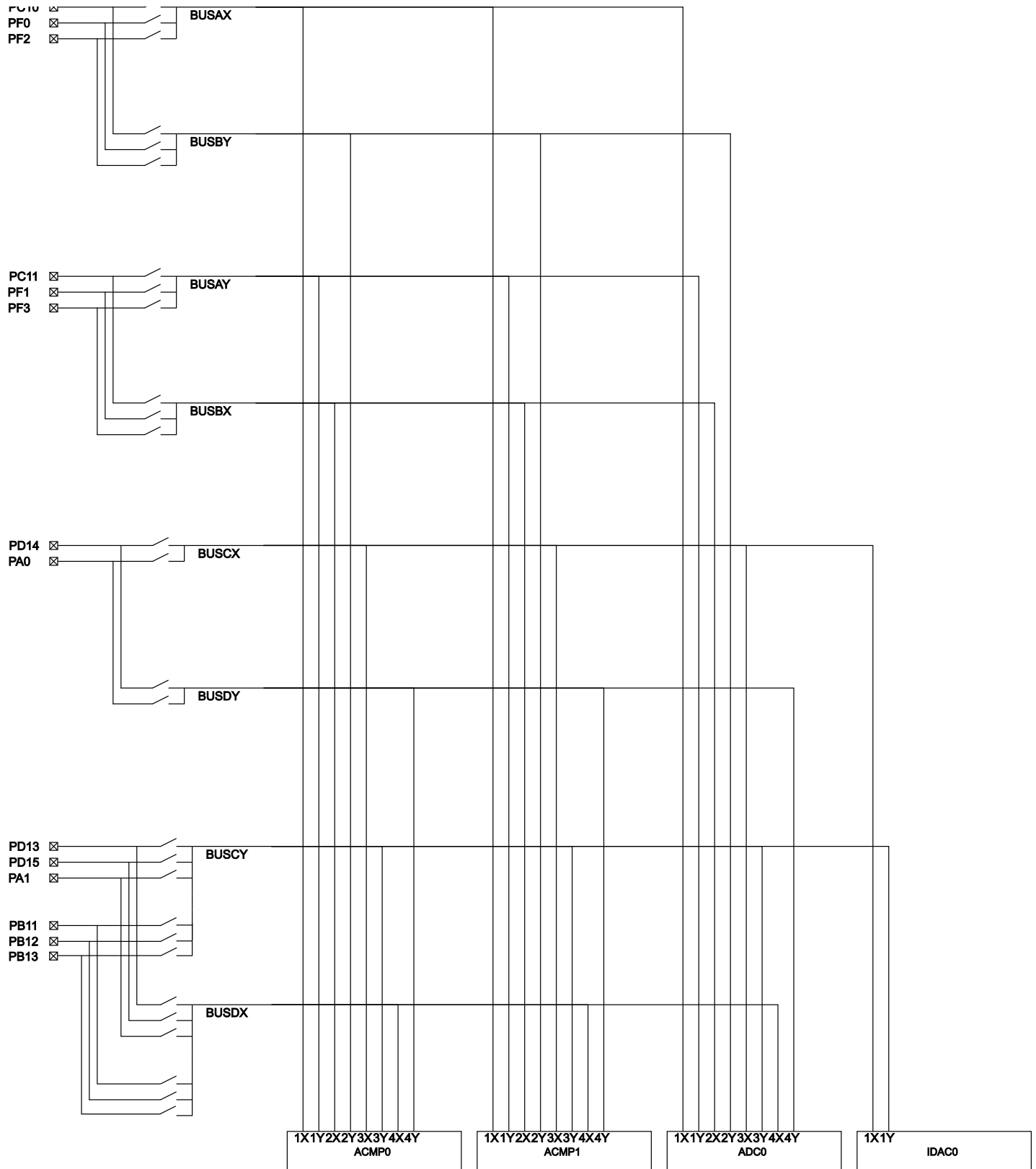


Figure 7.2. BGM113 APORT

Table 7.4. APORT Client Map

Analog Module	Analog Module Channel	Shared Bus	Pin
ACMP0	APORT1XCH6	BUSAX	
	APORT1XCH8		
	APORT1XCH10		PC10
	APORT1XCH16		PF0
	APORT1XCH18		PF2
	APORT1XCH20		
	APORT1XCH22		
ACMP0	APORT1YCH7	BUSAY	
	APORT1YCH9		
	APORT1YCH11		PC11
	APORT1YCH17		PF1
	APORT1YCH19		PF3
	APORT1YCH21		
	APORT1YCH23		
ACMP0	APORT2XCH7	BUSBX	
	APORT2XCH9		
	APORT2XCH11		PC11
	APORT2XCH17		PF1
	APORT2XCH19		PF3
	APORT2XCH21		
	APORT2XCH23		
ACMP0	APORT2YCH6	BUSBY	
	APORT2YCH8		
	APORT2YCH10		PC10
	APORT2YCH16		PF0
	APORT2YCH18		PF2
	APORT2YCH20		
	APORT2YCH22		

Analog Module	Analog Module Channel	Shared Bus	Pin
ACMP0	APORT3XCH2	BUSCX	
	APORT3XCH4		
	APORT3XCH6		PD14
	APORT3XCH8		PA0
	APORT3XCH10		
	APORT3XCH12		
	APORT3XCH28		PB12
	APORT3XCH30		
ACMP0	APORT3YCH3	BUSCY	
	APORT3YCH5		PD13
	APORT3YCH7		PD15
	APORT3YCH9		PA1
	APORT3YCH11		
	APORT3YCH13		
	APORT3YCH27		PB11
	APORT3YCH29		PB13
ACMP0	APORT4XCH3	BUSDX	
	APORT4XCH5		PD13
	APORT4XCH7		PD15
	APORT4XCH9		PA1
	APORT4XCH11		
	APORT4XCH13		
	APORT4XCH27		PB11
	APORT4XCH29		PB13
ACMP0	APORT4YCH2	BUSDY	
	APORT4YCH4		
	APORT4YCH6		PD14
	APORT4YCH8		PA0
	APORT4YCH10		
	APORT4YCH12		PA4
	APORT4YCH28		PB12
	APORT4YCH30		

Analog Module	Analog Module Channel	Shared Bus	Pin
ACMP1	APORT1XCH6	BUSAX	
	APORT1XCH8		
	APORT1XCH10		PC10
	APORT1XCH16		PF0
	APORT1XCH18		PF2
	APORT1XCH20		
	APORT1XCH22		
ACMP1	APORT1YCH7	BUSAY	
	APORT1YCH9		
	APORT1YCH11		PC11
	APORT1YCH17		PF1
	APORT1YCH19		PF3
	APORT1YCH21		
	APORT1YCH23		
ACMP1	APORT2XCH7	BUSBX	
	APORT2XCH9		
	APORT2XCH11		PC11
	APORT2XCH17		PF1
	APORT2XCH19		PF3
	APORT2XCH21		
	APORT2XCH23		
ACMP1	APORT2YCH6	BUSBY	
	APORT2YCH8		
	APORT2YCH10		PC10
	APORT2YCH16		PF0
	APORT2YCH18		PF2
	APORT2YCH20		
	APORT2YCH22		
ACMP1	APORT3XCH2	BUSCX	
	APORT3XCH4		
	APORT3XCH6		PD14
	APORT3XCH8		PA0
	APORT3XCH10		
	APORT3XCH12		
	APORT3XCH28		PB12
	APORT3XCH30		

Analog Module	Analog Module Channel	Shared Bus	Pin
ACMP1	APORT3YCH3	BUSCY	
	APORT3YCH5		PD13
	APORT3YCH7		PD15
	APORT3YCH9		PA1
	APORT3YCH11		
	APORT3YCH13		
	APORT3YCH27		PB11
	APORT3YCH29		PB13
	APORT3YCH31		
ACMP1	APORT4XCH3	BUSDX	
	APORT4XCH5		PD13
	APORT4XCH7		PD15
	APORT4XCH9		PA1
	APORT4XCH11		
	APORT4XCH13		
	APORT4XCH27		PB11
	APORT4XCH29		PB13
	APORT4XCH31		
ACMP1	APORT4YCH2	BUSDY	
	APORT4YCH4		
	APORT4YCH6		PD14
	APORT4YCH8		PA0
	APORT4YCH10		
	APORT4YCH12		
	APORT4YCH28		PB12
	APORT4YCH30		
ADC0	APORT1XCH6	BUSAX	
	APORT1XCH8		
	APORT1XCH10		PC10
	APORT1XCH16		PF0
	APORT1XCH18		PF2
	APORT1XCH20		
	APORT1XCH22		

Analog Module	Analog Module Channel	Shared Bus	Pin
ADC0	APORT1YCH7	BUSAY	
	APORT1YCH9		
	APORT1YCH11		PC11
	APORT1YCH17		PF1
	APORT1YCH19		PF3
	APORT1YCH21		
	APORT1YCH23		
ADC0	APORT2XCH7	BUSBX	
	APORT2XCH9		
	APORT2XCH11		PC11
	APORT2XCH17		PF1
	APORT2XCH19		PF3
	APORT2XCH21		
	APORT2XCH23		
ADC0	APORT2YCH6	BUSBY	
	APORT2YCH8		
	APORT2YCH10		PC10
	APORT2YCH16		PF0
	APORT2YCH18		PF2
	APORT2YCH20		
	APORT2YCH22		
ADC0	APORT3XCH2	BUSCX	
	APORT3XCH4		
	APORT3XCH6		PD14
	APORT3XCH8		PA0
	APORT3XCH10		
	APORT3XCH12		
	APORT3XCH28		PB12
	APORT3XCH30		

Analog Module	Analog Module Channel	Shared Bus	Pin
ADC0	APORT3YCH3	BUSCY	
	APORT3YCH5		PD13
	APORT3YCH7		PD15
	APORT3YCH9		PA1
	APORT3YCH11		
	APORT3YCH13		
	APORT3YCH27		PB11
	APORT3YCH29		PB13
	APORT3YCH31		
ADC0	APORT4XCH3	BUSDX	
	APORT4XCH5		PD13
	APORT4XCH7		PD15
	APORT4XCH9		PA1
	APORT4XCH11		
	APORT4XCH13		
	APORT4XCH27		PB11
	APORT4XCH29		PB13
	APORT4XCH31		
ADC0	APORT4YCH2	BUSDY	
	APORT4YCH4		
	APORT4YCH6		PD14
	APORT4YCH8		PA0
	APORT4YCH10		
	APORT4YCH12		
	APORT4YCH28		PB12
	APORT4YCH30		
IDAC0	APORT1XCH2	BUSCX	
	APORT1XCH4		
	APORT1XCH6		PD14
	APORT1XCH8		PA0
	APORT1XCH10		
	APORT1XCH12		
	APORT1XCH28		PB12
	APORT1XCH30		

Analog Module	Analog Module Channel	Shared Bus	Pin
IDAC0	APORT1YCH3	BUSCY	
	APORT1YCH5		PD13
	APORT1YCH7		PD15
	APORT1YCH9		PA1
	APORT1YCH11		
	APORT1YCH13		
	APORT1YCH27		PB11
	APORT1YCH29		PB13
	APORT1YCH31		

8. BGM113 Package Specifications

8.1 BGM113 Package Outline

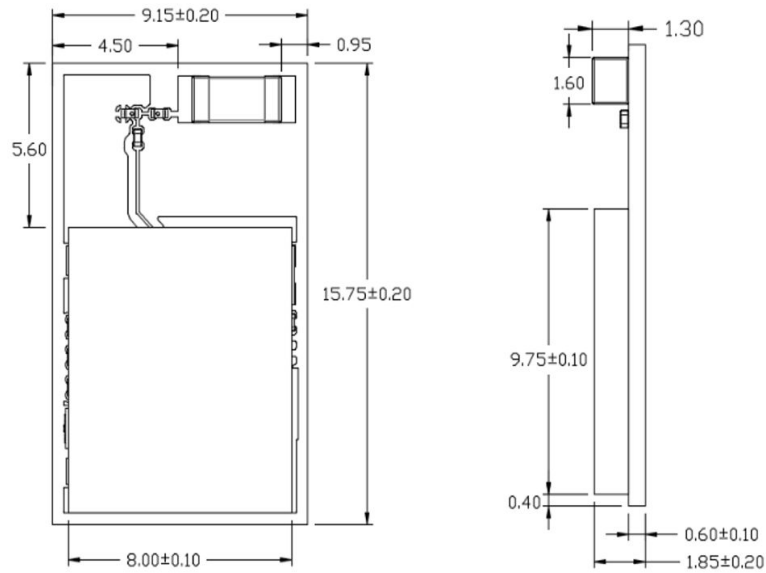


Figure 8.1. BGM113 Top and Side Views

Note: Solder paste thickness adds 0.1 ± 0.05 mm to overall module height.

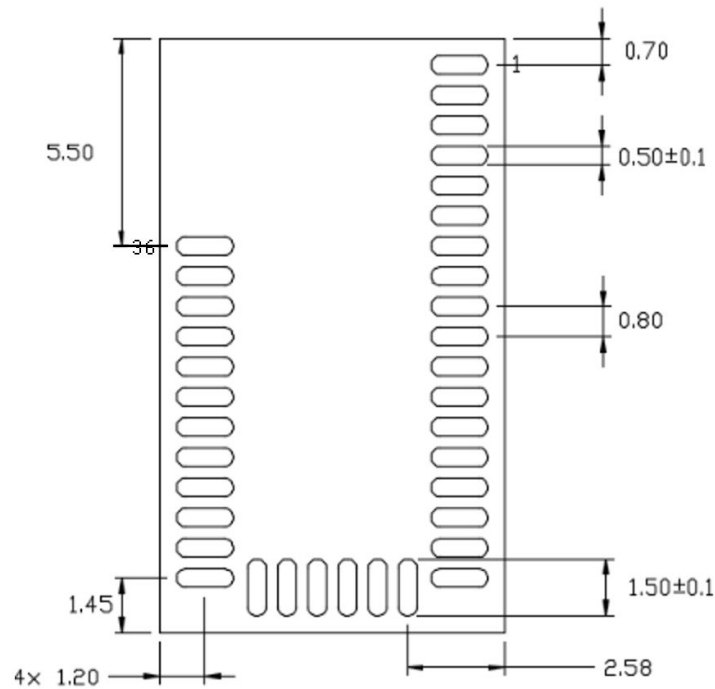


Figure 8.2. BGM113 Bottom View

8.2 BGM113 Land Pattern

The figure below shows the recommended land pattern.

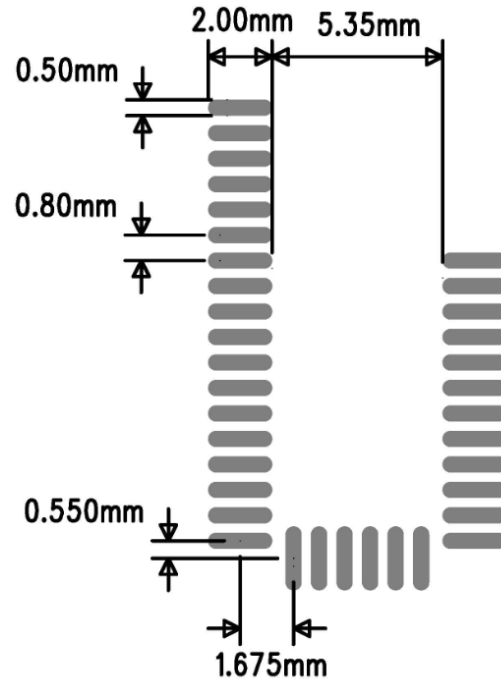


Figure 8.3. BGM113 Recommended PCB Land Pattern

8.3 BGM113 Package Marking

The figure below shows the package markings printed on top metallic shield of the module.

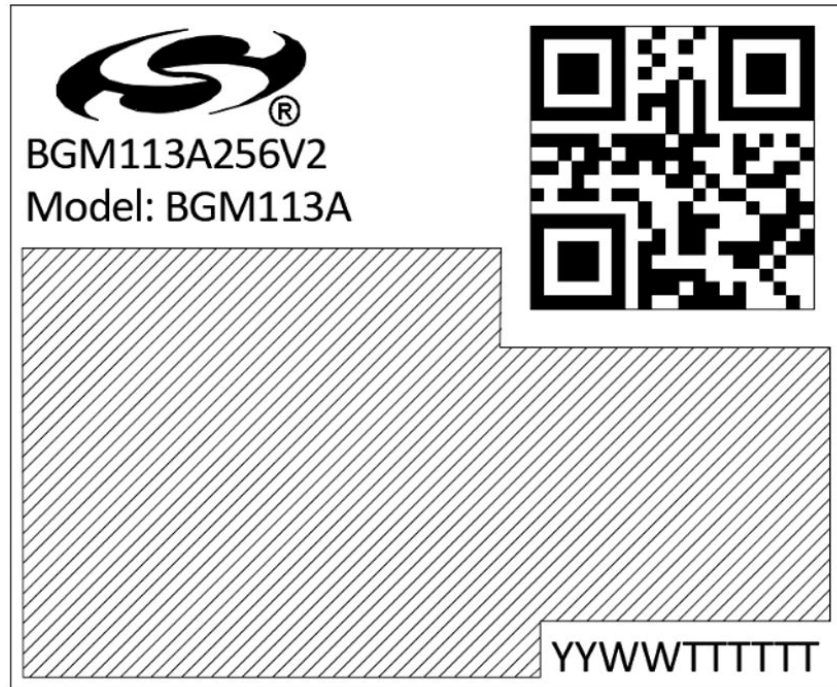


Figure 8.4. BGM113 Package Markings

Mark Description

The package markings consists of:

- BGM113Axxxxxx - Part number designation
- Model: BGM113A - Model number designation
- QR Code: YYWMMABCDE
 - YY – Last two digits of the assembly year
 - WW – Two-digit workweek when the device was assembled
 - MMABCDE – Silicon Labs unit code
- Trace Code: YYWWTTTTTT
 - YY – Last two digits of the assembly year
 - WW – Two-digit workweek when the device was assembled
 - TTTTTT – Manufacturing trace code. The first letter is the device revision
- Certification information, such as the CE Compliance Mark, or the FCC and IC IDs, etc. will be engraved on the grayed out area or printed on the back side of the module, according to regulatory body requirements.

9. Tape and Reel Specifications

9.1 Tape and Reel Packaging

This section contains information regarding the tape and reel packaging for the BGM113 Wireless Gecko Module.

9.2 Reel and Tape Specifications

- Reel material: Polystyrene (PS)
- Reel diameter: 13 inches (330 mm)
- Number of modules per reel: 1000 pcs
- Disk deformation, folding whitening and mold imperfections: Not allowed
- Disk set: consists of two 13 inch (330 mm) rotary round disks and one central axis (100 mm)
- Antistatic treatment: Required
- Surface resistivity: $10^4 - 10^9 \Omega/\text{sq}$.

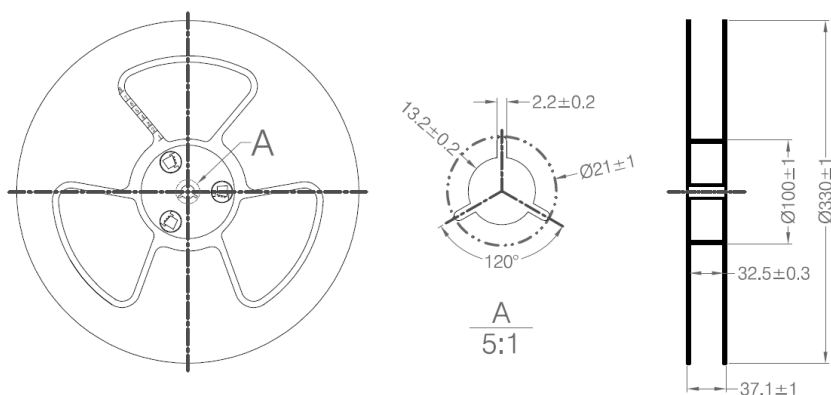


Figure 9.1. Reel Dimensions - Side View

Symbol	Dimensions [mm]
W0	32.5 ± 0.3
W1	37.1 ± 1.0

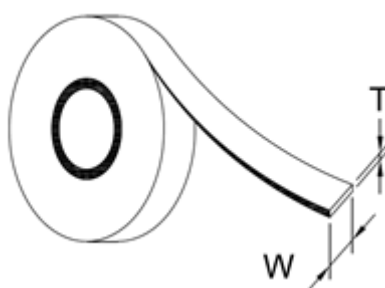


Figure 9.2. Cover Tape Information

Symbol	Dimensions [mm]
Thickness (T)	0.061
Width (W)	$25.5 + 0.2$

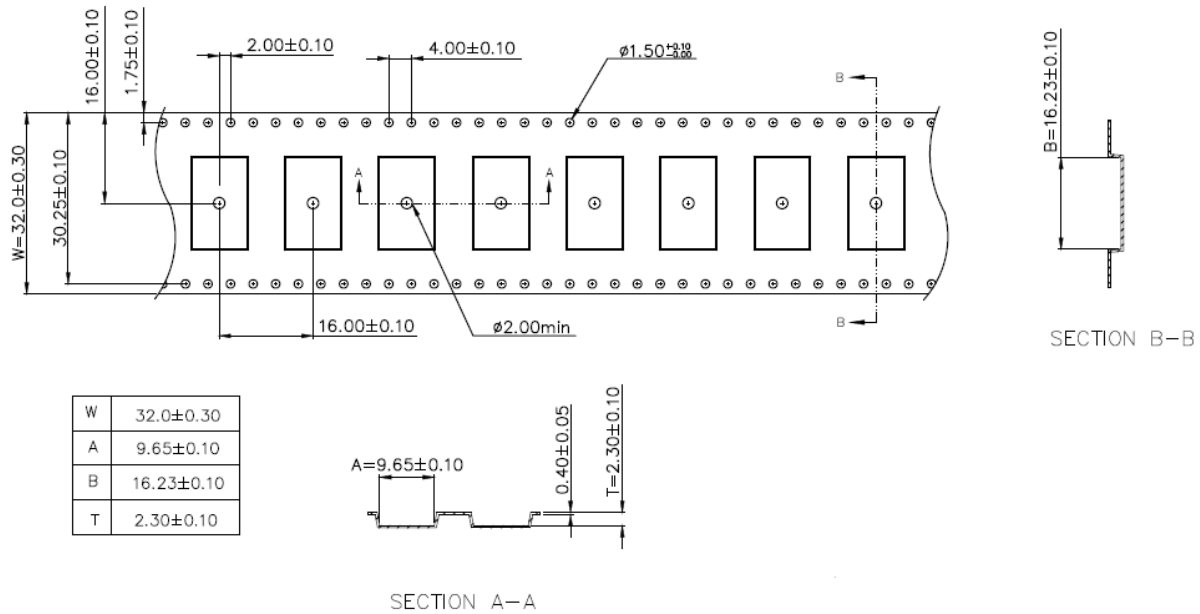


Figure 9.3. Tape information

9.3 Orientation and Tape Feed

The user direction of feed, start and end of tape on reel and orientation of the Modules on the tape are shown in the figures below.

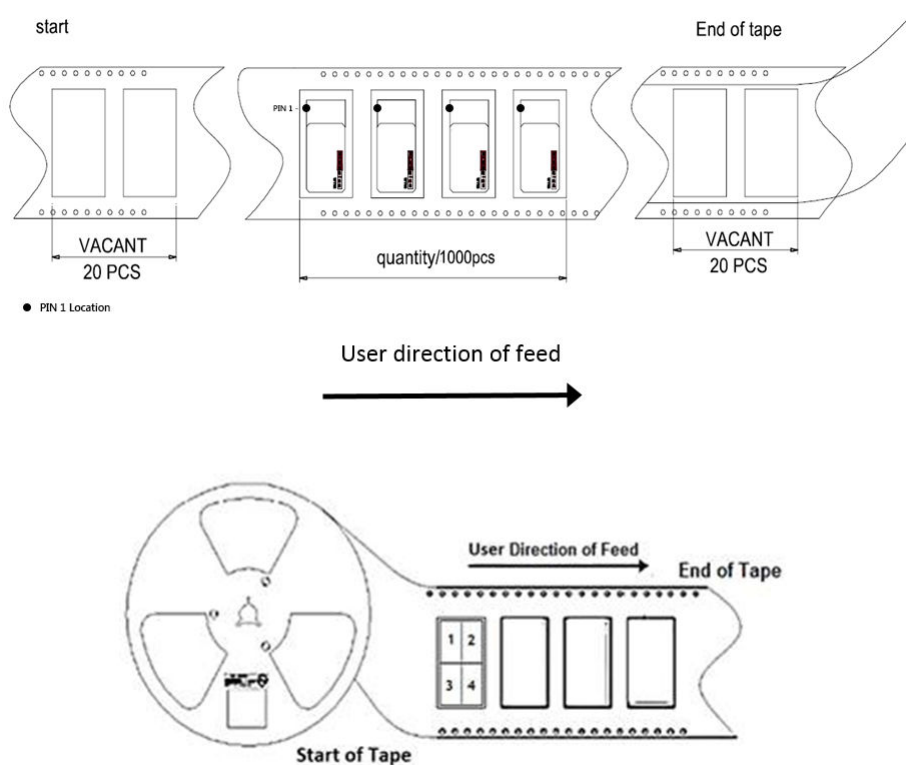


Figure 9.4. Module Orientation and Feed Direction

9.4 Moisture Sensitivity Level

Reels are delivered in packing which conforms to MSL3 (Moisture Sensitivity Level 3) requirements.

10. Soldering Recommendations

10.1 Soldering Recommendations

This section describes the soldering recommendations regarding BGM113 Module.

BGM113 is compatible with industrial standard reflow profile for Pb-free solders. The reflow profile used is dependent on the thermal mass of the entire populated PCB, heat transfer efficiency of the oven, and particular type of solder paste used.

- Refer to technical documentations of particular solder paste for profile configurations.
- Avoid using more than two reflow cycles.
- A no-clean, type-3 solder paste is recommended.
- A stainless steel, laser-cut and electro-polished stencil with trapezoidal walls should be used to assure good solder paste release.
- Recommended stencil thickness is 0.100mm (4 mils).
- Refer to the recommended PCB land pattern for an example stencil aperture size
- For further recommendation, please refer to the JEDEC/IPC J-STD-020, IPC-SM-782 and IPC 7351 guidelines.

11. Certifications

11.1 Bluetooth

The BGM113 comes with a Bluetooth End-product Qualification having a declaration ID of D031189 and QDID of 87703 based on Bluetooth v4.2.

The BGM113 modules additionally have a pre-qualified Bluetooth Low Energy RF-PHY Tested Component based on Core Specification 5.2 having Declaration ID of U050276 and QDID of 145740 and having a listing date of 2024-1-9.

Notice that the validity set by the SIG for Tested Components is currently of 3 years: during the product lifetime, Silicon Labs will reassess or re-qualify an RF-PHY Component as it expires, whenever applicable. In case of a re-qualification, an RF-PHY Tested Component will come with a new DID and a new QDID, and these will be then referred to in end-product listings. Newer DIDs and QDIDs can be discovered by using the search engine in the SIG's Launch Studio or by asking Silicon Labs via the technical support platform.

This module's RF-PHY Tested Component should be combined with the latest Wireless Gecko Link Layer and Host pre-qualified Components by Silicon Labs when in the process of qualifying an end-product embedding the BGM113 via the SIG's Launch Studio.

11.2 CE and UKCA - EU and UK

The BGM113 modules have been tested against the relevant harmonized/designated standards and are in conformity with the essential requirements and other relevant requirements of the EU's Radio Equipment Directive (RED) (2014/53/EU) and of the UK's Radio Equipment Regulations (RER) (S.I. 2017/1206).

Please notice that every end-product integrating a BGM113 module will need to perform the radio EMC tests on the whole assembly, according to the ETSI 301 489-x relevant standards.

Furthermore, it is ultimately the responsibility of the manufacturers to ensure the compliance of their end-products as a whole. The specific product assembly is likely to have an impact to RF radiated characteristics, when compared to the bare module. Hence, manufacturers should carefully consider RF radiated testing with the final product assembly, especially taking into account the gain of the external antenna if any, and the possible deviations in the PSD, EIRP and spurious emissions measurements, as defined in the ETSI EN 300 328 standard.

The modules are entitled to carry the CE and UKCA Marks, and a formal Declaration of Conformity (DoC) is available at the product web page which is reachable starting from <https://www.silabs.com/>.

11.3 FCC

This device complies with Part 15 of the FCC Rules. Operation is subject to the following two conditions:

1. This device may not cause harmful interference, and
2. This device must accept any interference received, including interference that may cause undesirable operation.

Any changes or modifications not expressly approved by Silicon Labs could void the user's authority to operate the equipment.

FCC RF Radiation Exposure Statement:

This equipment complies with FCC radiation exposure limits set forth for an uncontrolled environment. End users must follow the specific operating instructions for satisfying RF exposure compliance. This transmitter meets both portable and mobile limits as demonstrated in the RF Exposure Analysis. This transmitter must not be co-located or operating in conjunction with any other antenna or transmitter except in accordance with FCC multi-transmitter product procedures. As long as the condition above is met, further transmitter testing will not be required. However, the OEM integrator is still responsible for testing their end-product for any additional compliance requirements required with this module installed (for example, digital device emissions, PC peripheral requirements, etc.).

OEM Responsibilities to comply with FCC Regulations

The BGM113 Module has been certified for integration into products only by OEM integrators under the following condition:

- The antenna(s) must be installed such that a minimum separation distance of 0 mm is maintained between the radiator (antenna) and all persons at all times.
- The transmitter module must not be co-located or operating in conjunction with any other antenna or transmitter except in accordance with FCC multi-transmitter product procedures.

As long as the conditions above are met, further transmitter testing will not be required. However, the OEM integrator is still responsible for testing their end-product for any additional compliance requirements required with this module installed (for example, digital device emissions, PC peripheral requirements, etc.).

Note: In the event that these conditions cannot be met, then for the FCC authorization to remain valid, the final product will have to undergo additional testing to evaluate the RF exposure, and a permissive change will have to be applied with the help of the customer's own Telecommunication Certification Body.

End Product Labeling

The BGM113 Module is labeled with its own FCC ID. If the FCC ID is not visible when the module is installed inside another device, then the outside of the device into which the module is installed must also display a label referring to the enclosed module. In that case, the final end product must be labeled in a visible area with the following:

"Contains Transmitter Module FCC ID: QOQBGM113"

or

"Contains FCC ID: QOQBGM113"

The OEM integrator must not provide information to the end user regarding how to install or remove this RF module or change RF related parameters in the user manual of the end product.

11.4 IC

IC (English)

This radio transmitter has been approved by Industry Canada to operate with the embedded chip antenna. Other antenna types are strictly prohibited for use with this device.

This device complies with Industry Canada's license-exempt RSS standards. Operation is subject to the following two conditions:

1. This device may not cause interference; and
2. This device must accept any interference, including interference that may cause undesired operation of the device.

RF Exposure Statement

Exception from routine SAR evaluation limits are given in RSS-102 Issue 5. BGM113 meets the given requirements when the minimum separation distance to human body is 0 mm. In other words, RF exposure or SAR evaluation is not required when the separation distance is 0 mm or more. If the separation distance is less than 0 mm the OEM integrator is responsible for evaluating the SAR when using the module at its highest transmission power.

OEM Responsibilities to comply with IC Regulations

The BGM113 Module has been certified for integration into products only by OEM integrators under the following conditions:

- The antenna(s) must be installed such that a minimum separation distance of 0 mm is maintained between the radiator (antenna) and all persons at all times.
- The transmitter module must not be co-located or operating in conjunction with any other antenna or transmitter.

As long as the two conditions above are met, further transmitter testing will not be required. However, the OEM integrator is still responsible for testing their end-product for any additional compliance requirements required with this module installed (for example, digital device emissions, PC peripheral requirements, etc.).

Note: In the event that these conditions cannot be met, then for the IC authorization to remain valid, the final product will have to undergo additional testing to evaluate the RF exposure, and a permissive change will have to be applied with the help of the customer's own Telecommunication Certification Body.

End Product Labeling

The BGM113 module is labeled with its own IC ID. If the IC ID is not visible when the module is installed inside another device, then the outside of the device into which the module is installed must also display a label referring to the enclosed module. In that case, the final end product must be labeled in a visible area with the following:

"Contains Transmitter Module IC: 5123A-BGM113"

or

"Contains IC: 5123A-BGM113"

The OEM integrator has to be aware not to provide information to the end user regarding how to install or remove this RF module or change RF related parameters in the user manual of the end product.

IC (Français)

Cet émetteur radio (IC : 5123A-BGM113) a reçu l'approbation d'Industrie Canada pour une exploitation avec l'antenne puce incorporée. Il est strictement interdit d'utiliser d'autres types d'antenne avec cet appareil.

Le présent appareil est conforme aux CNR d'Industrie Canada applicables aux appareils radio exempts de licence. L'exploitation est autorisée aux deux conditions suivantes:

1. L'appareil ne doit pas produire de brouillage; et
2. L'appareil doit accepter tout brouillage radioélectrique subi, même si le brouillage est susceptible de provoquer un fonctionnement non désiré de l'appareil.

Déclaration relative à l'exposition aux radiofréquences (RF)

Les limites applicables à l'exemption de l'évaluation courante du DAS sont énoncées dans le CNR 102, 5e édition. Le module Bluetooth BGM113 répond aux exigences données quand la distance de séparation minimum par rapport au corps humain est de 0 mm. L'évaluation de l'exposition aux RF ou du DAS n'est pas requise quand la distance de séparation est de 0 mm ou plus. Si la distance de séparation est inférieure à 0 mm, il incombe à l'intégrateur FEO d'évaluer le DAS.

Responsabilités du FEO ayant trait à la conformité avec les règlements IC

Le Module Bluetooth BGM113 a été certifié pour une intégration dans des produits uniquement par les intégrateurs FEO dans les conditions suivantes:

- La ou les antennes doivent être installées de telle façon qu'une distance de séparation minimum de 0 mm soit maintenue entre le radiateur (antenne) et toute personne à tout moment.
- Le module émetteur ne doit pas être installé au même endroit ou fonctionner conjointement avec toute autre antenne ou émetteur.

Dès lors que les deux conditions ci-dessus sont respectées, aucun test supplémentaire de l'émetteur n'est obligatoire. Cependant, il incombe toujours à l'intégrateur FEO de tester la conformité de son produit final vis-à-vis de toute exigence supplémentaire requise avec ce module installé (par exemple, émissions de dispositifs numériques, exigences relatives aux matériels périphériques PC, etc).

Note: S'il s'avère que ces conditions ne peuvent être respectées (pour certaines configurations ou la colocation avec un autre émetteur), alors l'autorisation IC n'est plus considérée comme valide et l'identifiant IC ne peut plus être employé sur le produit final. Dans ces circonstances, l'intégrateur FEO aura la responsabilité de réévaluer le produit final (y compris l'émetteur) et d'obtenir une autorisation IC distincte.

Étiquetage du produit final

L'étiquette du Module BGM113 porte son propre identifiant IC. Si l'identifiant IC n'est pas visible quand le module est installé à l'intérieur d'un autre appareil, alors l'extérieur de l'appareil dans lequel le module est installé doit aussi porter une étiquette faisant référence au module qu'il contient. Dans ce cas, une étiquette comportant les informations suivantes doit être apposée sur une partie visible du produit final.

"Contient le module émetteur IC: 5123A-BGM113"

ou

"Contient IC : 5123A-BGM113"

L'intégrateur FEO doit être conscient de ne pas fournir d'informations à l'utilisateur final permettant d'installer ou de retirer ce module RF ou de changer les paramètres liés aux RF dans le mode d'emploi du produit final.

11.5 Japan

The BGM113A module is certified in Japan with certification number 209-J00204

Since September 1, 2014 it is allowed (and highly recommended) that a manufacturer who integrates a radio module in their host equipment can place the certification mark and certification number (the same marking/number as depicted on the label of the radio module) on the outside of the host equipment. The certification mark and certification number must be placed close to the text in the Japanese language which is provided below. This change in the Radio Law has been made in order to enable users of the combination of host and radio module to verify if they are actually using a radio device which is approved for use in Japan.

当該機器には電波法に基づく、技術基準適合証明等を受けた特定無線設備を装着している。

Figure 11.1. Certification Text to be Placed on the Outside Surface of the Host Equipment

Translation of the text in the above figure:

"This equipment contains specified radio equipment that has been certified to the Technical Regulation Conformity Certification under the Radio Law."

The "Giteki" marking shown in the figure below must be affixed to an easily noticeable section of the specified radio equipment. Note that additional information may be required if the device is also subject to a telecom approval.



Figure 11.2. Compliance Mark with Certification Number to be Placed on the Outside Surface of the Host Equipment

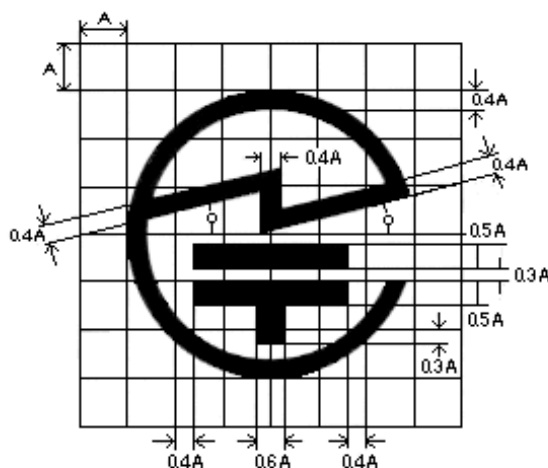


Figure 11.3. Dimensions of the "Giteki" Compliance Mark

The diameter of the mark must be 5 mm or greater. If the volume of the certified equipment is less than 100 cc, the diameter of the mark may be 3 mm or greater.

11.6 KC South Korea

BGM113 Wireless Gecko *Bluetooth*® Module is certified in South-Korea.

Certification number: MSIP-CRM-BGT-BGM113

11.7 Taiwan NCC

The BGM113A module is certified in Taiwan with NCC certification number CCAI24Y10060T3.

BGM113A 模塊在台灣通過了 NCC 認證編號 CCAI24Y10060T3 的認證。



Manufacturers are required to mark their end products with the following sentence: "This product contains a radio frequency module with certification number CCAI24Y10060T3."

系統製造商應在平台上放置如下聲明：“本產品包含認證號為 CCAI24Y10060T3 的射頻模塊。”

Note: The outer packaging of the final product must also be marked with the NCC mark by the manufacturer.

注意：最終產品的外包裝也必須由製造商打上 NCC 標誌

Additionally, the final product will have to be listed in the NCC database of approved radio-equipped devices. Consequently, the end manufacturer is also supposed to contact the certification house that originally released the full modular approval and apply for the registration of their device under the above certification number (fees might apply).

該平台還需要列入經批准的無線電設備的 NCC 數據庫；

因此，平台製造商還應聯繫最初頒發全模塊化批准的認證機構，並根據上述認證編號申請註冊其設備（可能需要付費）。

NCC Statement

For low-power radio frequency equipment that has been certified, companies, firms, or users are not allowed to change the frequency, increase the power, or change the characteristics and functions of the original design without further NCC approval.

The use of low-power radio frequency equipment shall not affect flight safety and interfere with legal communications.

If interference is found, it shall be immediately stopped, and the equipment can be brought back into use only after it has been improved, so that interference is found no more.

The aforementioned legal communication refers to radio communications operating in accordance with the provisions of the Telecommunications Management Act.

Low-power radio frequency equipment must withstand interference from legitimate communications or radiating electrical equipment for industrial, scientific, and medical applications.

NCC 警語

取得審驗證明之低功率射頻器材，非經核准，公司、商號或使用者均不得擅自變更頻率、加大功率或變更原設計之特性及功能。

低功率射頻器材之使用不得影響飛航安全及干擾合法通信。

經發現有干擾現象時，應立即停用，並改善至無干擾時方得繼續使用。

前述合法通信，指依電信管理法規定作業之無線電通信。

低功率射頻器材須忍受合法通信或工業、科學及醫療用電波輻射性電機設備之干擾。

12. Revision History

Revision 1.3

May, 2024

- Updated [3.6.2 Real Time Counter and Calendar \(RTCC\)](#) to remove AUXHFRCO as a clock source.
- Updated [11.1 Bluetooth](#).
- Added [11.7 Taiwan NCC](#).
- Corrected Japan Certification Number from 209-J00192 to 209-J00204 in [Figure 11.2 on page 83](#).

Revision 1.2

October, 2022

- In the front page block diagram, updated the lowest energy mode for LETIMER.
- Updated [3.6.3 Low Energy Timer \(LETIMER\)](#) lowest energy mode.
- Removed BIASPROG = 1, FULLBIAS = 0 specifications from [4.1.15 Analog Comparator \(ACMP\)](#).
- Added timing specifications for RESETn low time and clarified V_{IL} and V_{IH} logic levels for RESETn pins in [Table 4.20 GPIO on page 31](#).
- Added [Figure 4.2 SPI Master Timing Diagram \(SMSDELAY = 1\)](#) on page 43.
- Corrected last pin number in [Figure 8.2 BGM113 Bottom View on page 73](#).
- Updated [11.2 CE and UKCA - EU and UK](#).
- Removed all references to RFSENSE.

Revision 1.1

February, 2020

- [2. Ordering Information](#) - OPN table updated with V21 OPN.
- Added dimensions for keepout guidelines in [6.1 Recommended Placement on the Application PCB](#).
- Updated dimensions in [8.1 BGM113 Package Outline](#), .
- Updated marking description in [8.3 BGM113 Package Marking](#).
- Corrected [5.1 Typical BGM113 Connections](#) pin configurations.
- Replaced Bluetooth[®] Smart with Bluetooth[®] Low Energy wherever applicable.
- Removed Wake On Radio references wherever applicable since this feature is not supported by the software.
- Added note regarding minimum voltage in [4.1.2.1 General Operating Conditions](#).
- Corrected output radio power to 3 dBm in [4.1.8.1 RF Transmitter General Characteristics for the 2.4 GHz Band](#).
- Removed Tape and Reel Box Dimensions section.
- Updated [10.1 Soldering Recommendations](#).
- Updated End-product Qualification IDs in [11.1 Bluetooth](#).
- Added "Giteki" marking information in the [11.5 Japan](#) certification section.
- Minor typographical and verbiage modifications in [11.3 FCC](#) and [11.4 IC](#).
- Replaced "Blue Gecko" with "Wireless Gecko" throughout document.

Revision 1.00

- Full Production Release
- Soldering recommendations added
- Tape and Reel specifications updated

Revision 0.98

- Tape and reel specifications added

Revision 0.97

- Layout instructions improved
- LFXO specifications description updated

Revision 0.96

- PCB size vs. antenna efficiency updated

Revision 0.95

- Bluetooth and South-Korea certifications updated

Revision 0.94

- Electrical characteristics updated
- Tape and reel specifications added
- Certifications updated

Revision 0.92

Ordering information updated.

Revision 0.91

Pinout update. Antenna characteristics and layout guidelines added.

Revision 0.9

Updated version for initial product release.

Revision 0.8

Ready for initial product release.

Revision 0.7

Initial version

Simplicity Studio

One-click access to MCU and wireless tools, documentation, software, source code libraries & more. Available for Windows, Mac and Linux!



IoT Portfolio
www.silabs.com/IoT



SW/HW
www.silabs.com/simplicity



Quality
www.silabs.com/quality



Support & Community
www.silabs.com/community

Disclaimer

Silicon Labs intends to provide customers with the latest, accurate, and in-depth documentation of all peripherals and modules available for system and software implementers using or intending to use the Silicon Labs products. Characterization data, available modules and peripherals, memory sizes and memory addresses refer to each specific device, and "Typical" parameters provided can and do vary in different applications. Application examples described herein are for illustrative purposes only. Silicon Labs reserves the right to make changes without further notice to the product information, specifications, and descriptions herein, and does not give warranties as to the accuracy or completeness of the included information. Without prior notification, Silicon Labs may update product firmware during the manufacturing process for security or reliability reasons. Such changes will not alter the specifications or the performance of the product. Silicon Labs shall have no liability for the consequences of use of the information supplied in this document. This document does not imply or expressly grant any license to design or fabricate any integrated circuits. The products are not designed or authorized to be used within any FDA Class III devices, applications for which FDA premarket approval is required or Life Support Systems without the specific written consent of Silicon Labs. A "Life Support System" is any product or system intended to support or sustain life and/or health, which, if it fails, can be reasonably expected to result in significant personal injury or death. Silicon Labs products are not designed or authorized for military applications. Silicon Labs products shall under no circumstances be used in weapons of mass destruction including (but not limited to) nuclear, biological or chemical weapons, or missiles capable of delivering such weapons. Silicon Labs disclaims all express and implied warranties and shall not be responsible or liable for any injuries or damages related to use of a Silicon Labs product in such unauthorized applications.

Note: This content may contain offensive terminology that is now obsolete. Silicon Labs is replacing these terms with inclusive language wherever possible. For more information, visit www.silabs.com/about-us/inclusive-lexicon-project

Trademark Information

Silicon Laboratories Inc.[®], Silicon Laboratories[®], Silicon Labs[®], SiLabs[®] and the Silicon Labs logo[®], Bluegiga[®], Bluegiga Logo[®], EFM[®], EFM32[®], EFR, Ember[®], Energy Micro, Energy Micro logo and combinations thereof, "the world's most energy friendly microcontrollers", Redpine Signals[®], WiSeConnect, n-Link, EZLink[®], EZRadio[®], EZRadioPRO[®], Gecko[®], Gecko OS, Gecko OS Studio, Precision32[®], Simplicity Studio[®], Telegesis, the Telegesis Logo[®], USBXpress[®], Zentri, the Zentri logo and Zentri DMS, Z-Wave[®], and others are trademarks or registered trademarks of Silicon Labs. ARM, CORTEX, Cortex-M3 and THUMB are trademarks or registered trademarks of ARM Holdings. Keil is a registered trademark of ARM Limited. Wi-Fi is a registered trademark of the Wi-Fi Alliance. All other products or brand names mentioned herein are trademarks of their respective holders.



Silicon Laboratories Inc.
400 West Cesar Chavez
Austin, TX 78701
USA

www.silabs.com