

# S-4000

## 1/4" x 1-1/4" Fuse blocks



### Product features

- For 1/4" x 1-1/4" fuses
- Fuse block
- 250 Vac rating and up to 25 A

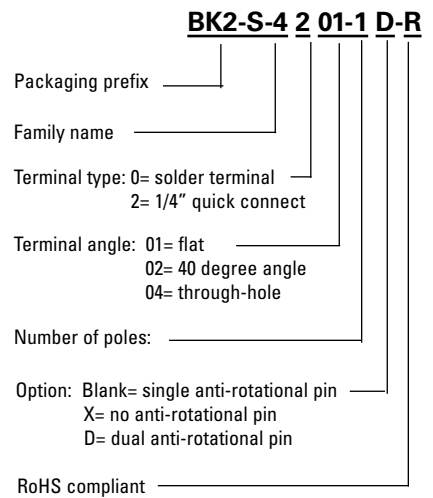
### Agency information



### Environmental compliance



### Ordering part number



### Packaging prefix

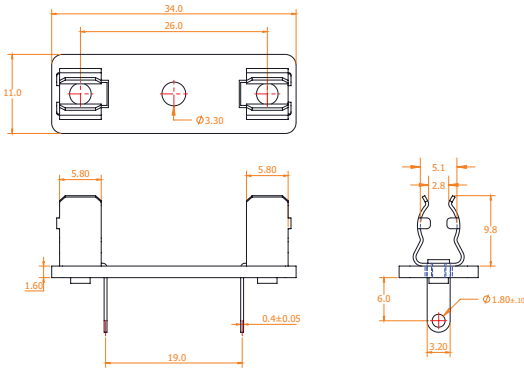
- BK2- (2000 parts per case pack)
- BK4- (4000 parts per carton)

Specifications

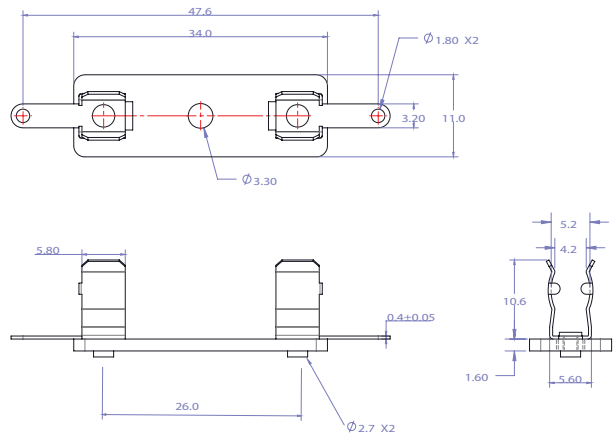
Part number	Voltage rating (Vac)	Current rating (A)	Body material	Contact/clip material	Agency
BK4-S-4004-1-R	250	10	Phenolic laminate	Clip: brass, nickel plated Rivet: Aluminum alloy	-CE
BK4-S-4001-1-R	250	10	Phenolic laminate	Clip: brass, nickel plated Rivet: Aluminum alloy	-CE
BK2-S-4201-1D-R	250	25	PA66-GF25, UL 94V-0, black	Clip: copper alloy, tin plated Terminals: brass, tin plated Rivet: aluminum alloy	cURus, CE
BK2-S-4201-1-R	250	25	PA66-GF25, UL 94V-0, black	Clip: copper alloy, tin plated Terminals: brass, tin plated Rivet: aluminum alloy	cURus, CE
BK2-S-4201-1X-R	250	25	PA66-GF25, UL 94V-0, black	Cclip: copper alloy, tin plated Terminals: brass, tin plated Rivet: aluminum alloy	cURus, CE
BK2-S-4202-1D-R	250	25	PA66-GF25, UL 94V-0, black	Clip: copper alloy, tin plated Terminals: brass, tin plated Rivet: aluminum alloy	cURus, CE
BK2-S-4202-1-R	250	25	PA66-GF25, UL 94V-0, black	Clip: copper alloy, tin plated Terminals: brass, tin plated Rivet: aluminum alloy	cURus, CE
BK2-S-4202-1X-R	250	25	PA66-GF25, UL 94V-0, black	Clip: copper alloy, tin plated Terminals: brass, tin plated Rivet: aluminum alloy	cURus, CE

Dimensions- mm

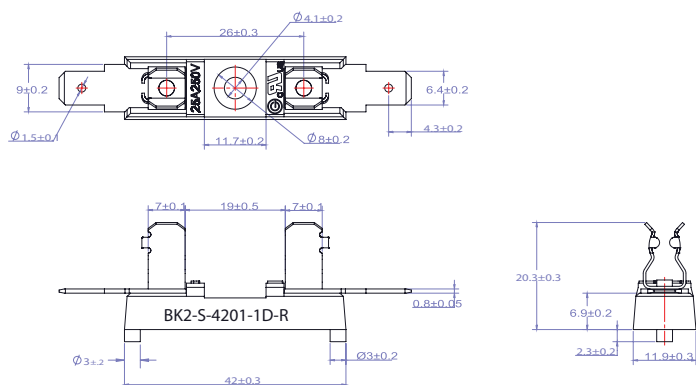
BK4-S-4004-1-R



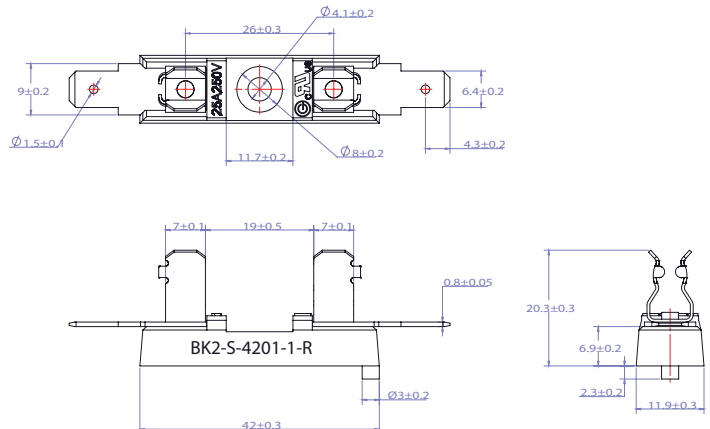
BK4-S-4001-1-R



BK2-S-4201-1D-R

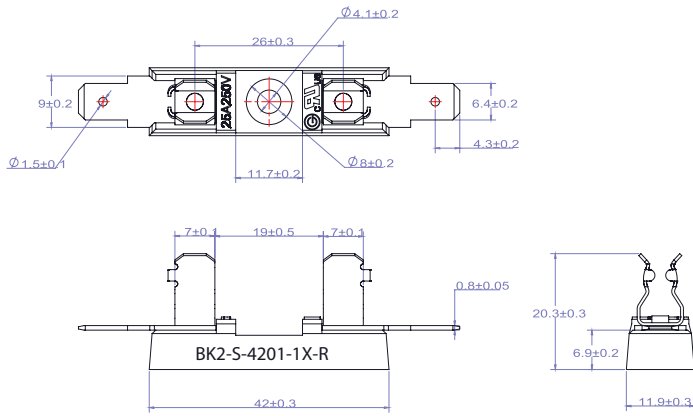


BK2-S-4201-1-R

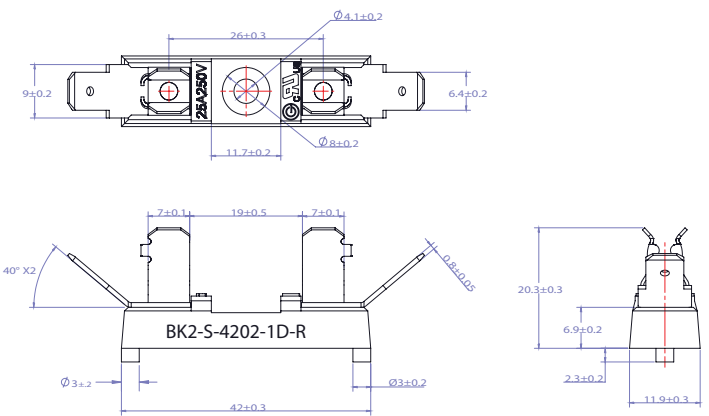


Dimensions- mm

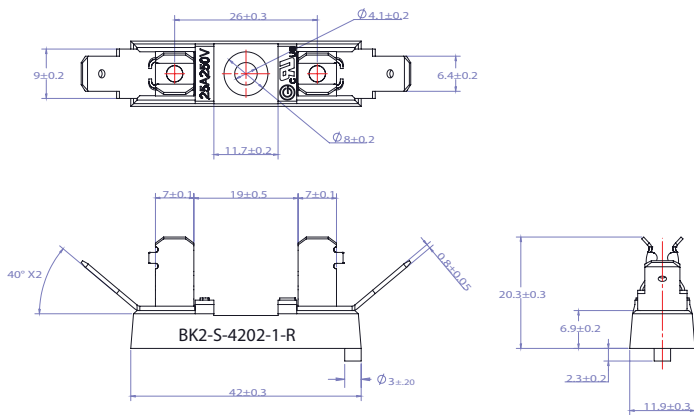
BK2-S-4201-1X-R



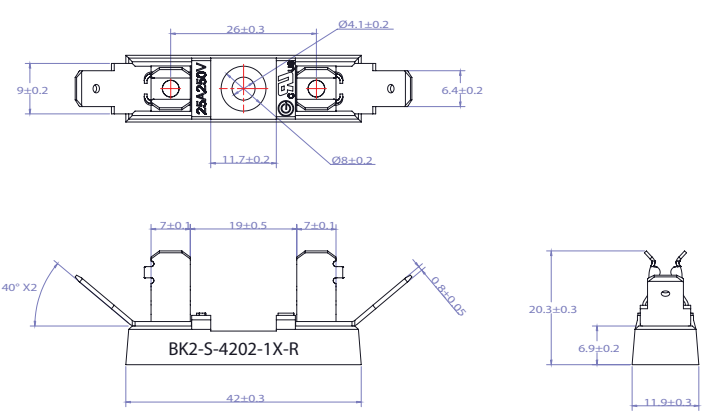
BK2-S-4202-1D-R



BK2-S-4202-1-R



BK2-S-4202-1X-R



Life Support Policy: Eaton does not authorize the use of any of its products for use in life support devices or systems without the express written approval of an officer of the Company. Life support systems are devices which support or sustain life, and whose failure to perform, when properly used in accordance with instructions for use provided in the labeling, can be reasonably expected to result in significant injury to the user.

Eaton reserves the right, without notice, to change design or construction of any products and to discontinue or limit distribution of any products. Eaton also reserves the right to change or update, without notice, any technical information contained in this bulletin.

**Eaton**  
Electronics Division  
1000 Eaton Boulevard  
Cleveland, OH 44122  
United States  
Eaton.com/electronics

© 2021 Eaton  
All Rights Reserved  
Printed in USA  
Publication No. ELX1018 BU-ELX21019  
February 2021

Eaton is a registered trademark.

All other trademarks are property of their respective owners.

Follow us on social media to get the latest product and support information.

