

SENCITY® Spot-S Wi-Fi Dual-Band Antenna

1399.17.0210

Properties

- Small directional, planar, linear polarized dual-band Wi-Fi antenna with 9 dBi gain Wi-Fi bands 2.4 to 2.5 GHz and 5.150 to 5.975 GHz on one single port
- WLAN IEEE 802.11 a/b/g/h/p
- Rugged design, meets EN 50155 railway and EN 60068 industrial standards
- Fire retardant acc. to EN 45545-2 and NFPA130
- For both indoor and outdoor mounting with IP rating IP66 & IP67



Electrical bands		
	Band 1	Band 2
Frequency	2400 MHz ... 2500 MHz	5150 MHz ... 5935 MHz
VSWR	2	2
Impedance	50 Ω	50 Ω
Gain	9 dBi	9 dBi
HPBW vertical	65 °	30 °
HPBW horizontal	75 °	45 °
Isolation between Ports	25 dB	30 dB
Front to back ratio	15 dB	15 dB
Ambient Temperature	25 °C	25 °C
Composite Power max	30 W	30 W

Ports	
	Port 1
Connector	N, jack (female)
Polarization	vertical
DC grounded	No

SENCITY® Spot-S Wi-Fi Dual-Band Antenna

1399.17.0210

Connections	
Port number	Port 1
Band 1	✓
Band 2	✓

Mechanical data	
Weight	0.11 kg
Dimensions	101 mm x 81 mm x 36 mm (Height x Width x Depth)
Windload	front: 15 N at 160km/h, Wind Speed survival: 220 km/h

Interface and material data	
Radome material	PC (Polycarbonate)
Radome colour	RAL 7044 (grey)

Environmental data	
Operation temperature	-40 °C ... 85 °C
Storage temperature	-40 °C ... 85 °C
Transport temperature	-40 °C ... 85 °C
Environment (application)	Indoor/Outdoor
Flammability rating	EN 45545-2

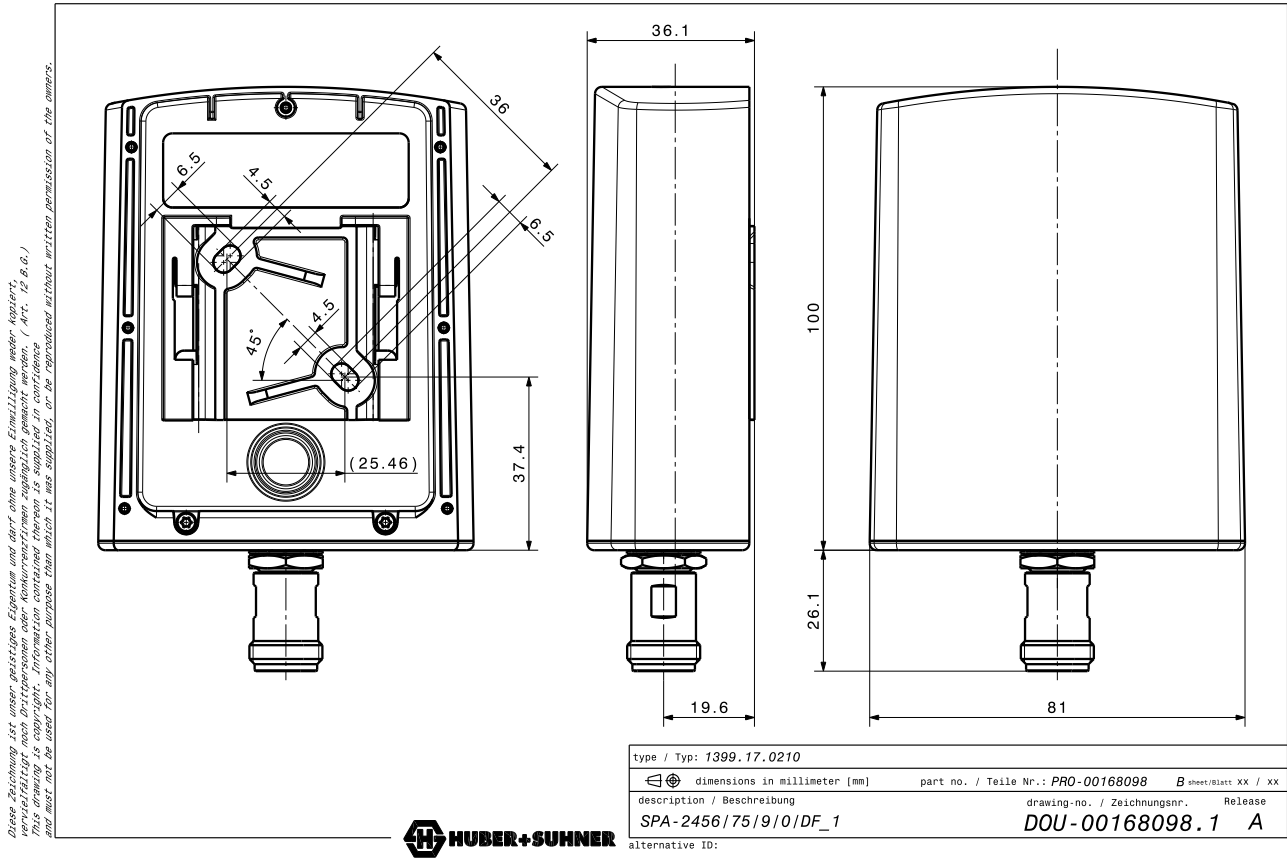
Environmental remarks	
FLAMMABILITY: EN 45545-2 (2013) HL3 and NFPA130 (2013), also BS 6853 and DIN 5510-2	
ENVIRONMENT: Meets EN 50155 (2016) and EN 60068 related tests	
IP RATING: IP 66 / IP 67 (IEC 60529)	
SOLAR RADIATION: EN 50125-3:2004 §4.9, 1120 W/m ² for 20h	
AIR PRESSURE: EN 50125-3:2004 §4.2, Altitude Class A1 (up to 1400m)	
AIR PULSE PRESSURE: EN 50125-3:2004 §4.2, 1 kPa/s	
RAIN: EN 50125-3:2004 §4.6, delivery rate: 6 mm/min	
VIBRATION / SHOCK: EN 50125-3:2004 §4.13, position profile: "outside the track"	
POLLUTION: EN 50125-3:2004 §4.11, pollution levels: 4B1, 4S1	
CORROSION: MIL-F-14072 E Type 1 "exposed"	
MECHANICAL IMPACT (HAMMER IMPACT): EN 60068-2-75 (IEC 62262/2002-02 IK06)	

Additional Information	
Following Declaration of Conformity for SENCITY Spot-S antennas are available on request: * Industrial standards EN 60068 / EN 60529 / IEC 61373: Ref. DOC-0000318049 * Railway rolling stock, environmental standards EN 50155 and fire behaviour EN 45545-2k, NFPA130: Ref. DOC-0000380375	

SENCITY® Spot-S Wi-Fi Dual-Band Antenna

1399.17.0210

Outline drawing



HUBER+SUHNER is certified by ISO 9001, ISO 14001, ISO 45001, IATF 16949, AS/EN 9100 and ISO/TS 22163-IRIS. Waiver: Facts and figures herein are for information only and do not represent any warranty of any kind.
DOCUMENT PIM-P3259 / Date of publication: 18.06.2024 / uncontrolled copy