

## SENCITY® Spot-S 2x2 Wi-Fi MIMO Antenna

1356.17.0076

### Properties

- Compact Industrial antenna for Wi-Fi bands between 5150 MHz and 5935 MHz
- Gain of 9 dBi with dual slant +/-45° polarisation
- Rugged design, meets EN 50155 and EN 50125-3 railway standards
- Fire retardant acc. to EN 45545-2 and NFPA130
- For both indoor and outdoor mounting with IP rating IP66 & IP67
- Wall mounting material included



Electrical bands	
	Band 1
Frequency	5150 MHz ... 5935 MHz
VSWR	2
Impedance	50 Ω
Gain	9 dBi
HPBW vertical	60 °
HPBW horizontal	70 °
Isolation between Ports	20 dB
Vertical Electrical Tilt	0 °
Front to back ratio	20 dB
Ambient Temperature	25 °C
Composite Power max	30 W

Ports		
	Port 1	Port 2
Connector	N, jack (female)	N, jack (female)
Polarization	-45° slant	+45° slant
DC grounded	Yes	Yes

**SENCITY® Spot-S 2x2 Wi-Fi MIMO Antenna**

1356.17.0076

Connections		
Port number	Port 1	Port 2
Band 1	✓	✓

Mechanical data	
Weight	0.11 kg
Dimensions	101 mm x 81 mm x 36 mm (Height x Width x Depth)
Windload	front: 15 N at 160km/h, Wind Speed survival: 220 km/h

Interface and material data	
Radome material	PC (Polycarbonate)
Radome colour	RAL 7044 (grey)

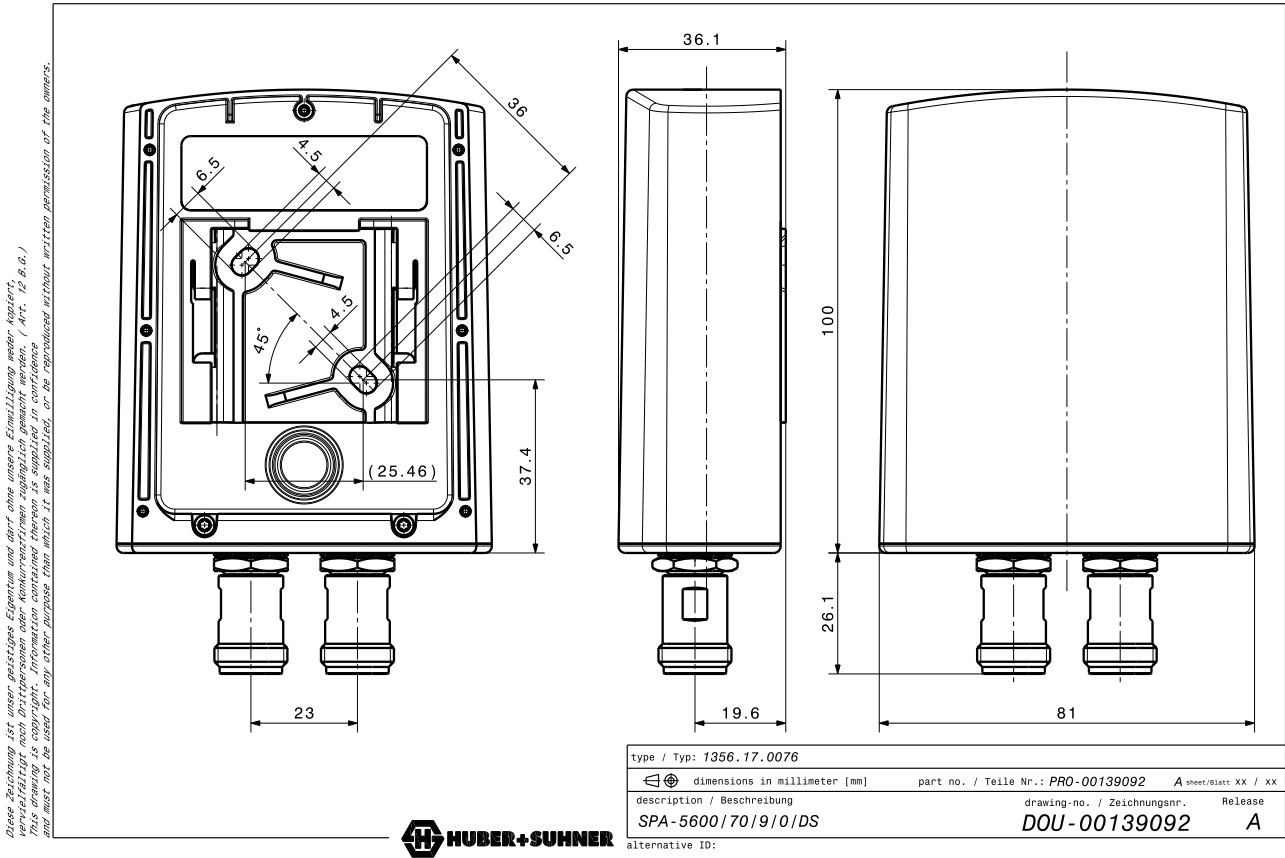
Environmental data	
Operation temperature	-40 °C ... 85 °C
Storage temperature	-40 °C ... 85 °C
Transport temperature	-40 °C ... 85 °C
Environment (application)	Indoor/Outdoor
Flammability rating	EN 45545-2

Environmental remarks	
FLAMMABILITY: EN 45545-2 (2013) HL3 and NFPA130 (2013), also BS 6853 and DIN 5510-2	
ENVIRONMENT: EN 50155 (2016) and EN 50125-3 (2003), also EN 60068 related	
IP RATING: IP 66 / IP 67 (IEC 60529)	
SOLAR RADIATION: EN 50125-3:2004 §4.9, 1120 W/m <sup>2</sup> for 20h	
AIR PRESSURE: EN 50125-3:2004 §4.2, Altitude Class A1 (up to 1400m)	
AIR PULSE PRESSURE: EN 50125-3:2004 §4.2, 1 kPa/s	
RAIN: EN 50125-3:2004 §4.6, delivery rate: 6 mm/min	
VIBRATION / SHOCK: EN 50125-3:2004 §4.13, position profile: "outside the track"	
POLLUTION: EN 50125-3:2004 §4.11, pollution levels: 4B1, 4S1	
CORROSION: MIL-F-14072 E Type 1 "exposed"	
MECHANICAL IMPACT (HAMMER IMPACT): EN 60068-2-75 (IEC 62262/2002-02 IK06)	

Additional Information	
Following Declaration of Conformity for SENCITY Spot-S antennas are available on request: * Industrial standards EN 60068 / EN 60529 / IEC 61373: Ref. DOC-0000318049 * Railway rolling stock, environmental standards EN 50155 and fire behaviour EN 45545-2k, NFPA130: Ref. DOC-0000380375 * Railway trackside, environmental standards EN 50125-3 and fire behaviour EN 45545-2: Ref. DOC-0000411396	

**SENCITY® Spot-S 2x2 Wi-Fi MIMO Antenna**

1356.17.0076

**Outline drawing**
**HUBER+SUHNER**

HUBER+SUHNER is certified by ISO 9001, ISO 14001, ISO 45001, IATF 16949, AS/EN 9100 and ISO/TS 22163-IRIS. Waiver: Facts and figures herein are for information only and do not represent any warranty of any kind.  
DOCUMENT PIM-P3286 / Date of publication: 20.06.2024 / uncontrolled copy