

SENCITY® Spot-M Yagi

1324.17.0116

Properties

- SENCITY® Spot-M linear polarized directional Yagi antenna
- Supports WLAN / Wi-Fi acc. to IEEE 802.11 b/g
- 14 dBi high gain version
- Wall and Mast mounting brackets included
- Railway approved acc. to EN50125-3 and EN 45545-2

**Electrical bands**

	Band 1
Frequency	2400 MHz ... 2484 MHz
VSWR	1.7
Impedance	50 Ω
Gain	14 dBi
HPBW vertical	30 °
HPBW horizontal	30 °
Ambient Temperature	25 °C
Composite Power max	50 W

Electrical remarks

Remarks	The antennas signal ground is electrically isolated from ground of the backplane/bracket. DC grounding of the antenna radiator is achieved by electrical connection to the outer conductor of the RF cable pigtail (signal ground).
---------	--

Ports

	Port 1
Connector	N, plug (male)
Cable type	SX_04172_B-60
Cable length	0.6 m
Polarization	vertical
DC grounded	Yes

SENCITY® Spot-M Yagi

1324.17.0116

Mechanical data	
Weight	0.85 kg
Dimensions	80 mm x 420 mm x 80 mm (Height x Width x Depth)
Windload	front: 16 N at 220 km/h, lateral: 162 at 220 km/h, Wind Speed survival: 220 km/h
Remarks	Mounting holes: M6 (max. 7mm diameter) Bracket: flexible in all 3 axes for tilting and rotation of antenna. Allows mast/roof/wall mounting

Interface and material data	
Radome material	PC (Polycarbonate)
Radome colour	RAL 7044 (grey)

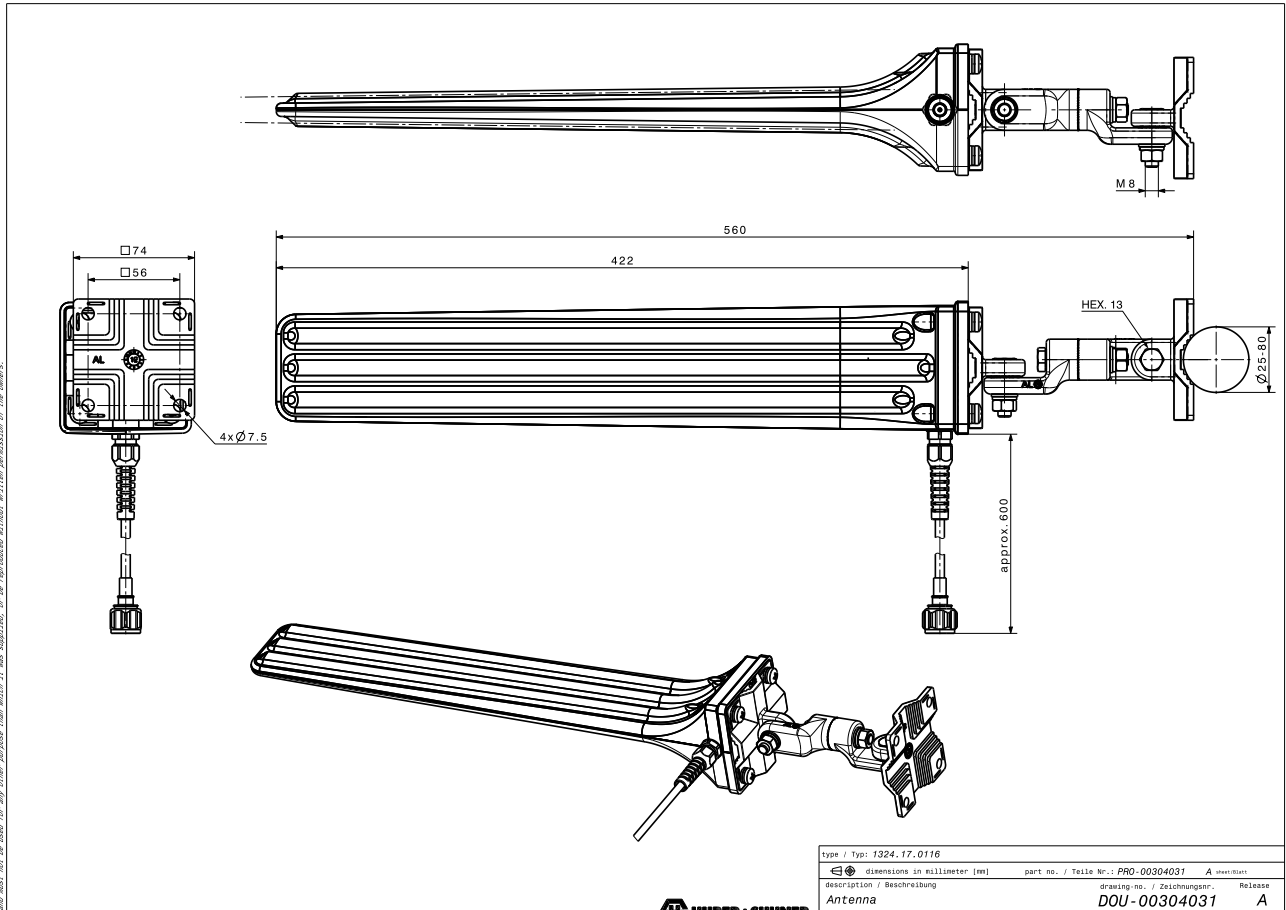
Environmental data	
Operation temperature	-40 °C ... 70 °C
Storage temperature	-40 °C ... 70 °C
Transport temperature	-40 °C ... 70 °C
Environment (application)	Indoor/Outdoor
Ingress protection (IP Rating)	Mated / IP65

Environmental remarks	
Solar radiation: EN 50125-3:2004 §4.9, 1120 W/m ² for 20h	
Air pressure: EN 50125-3:2004 §4.2, Altitude Class A1 (up to 1400m)	
Air pulse pressure: EN 50125-3:2004 §4.2, 1kPa/s	
Rain: EN 50125-3:2004 §4.6, delivery rate: 6mm/min	
Vibration/Shock: EN 50125-3:2004 §4.13, position profile: "outside the track"	
Pollution: EN 50125-3:2004 §4.11, pollution levels: 4B1, 4S1	
Corrosion: MIL-F-14072 E Type 1 "exposed"	

SENCITY® Spot-M Yagi

1324.17.0116

Outline drawing



HUBER+SUHNER is certified by ISO 9001, ISO 14001, ISO 45001, IATF 16949, AS/EN 9100 and ISO/TS 22163-IRIS. Waiver: Facts and figures herein are for information only and do not represent any warranty of any kind. DOCUMENT PIM-P35354 / Date of publication: 07.06.2024 / uncontrolled copy