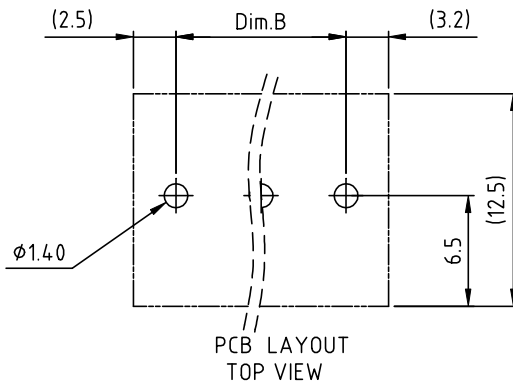
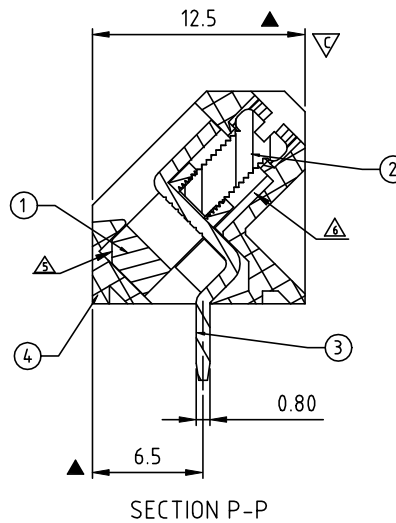
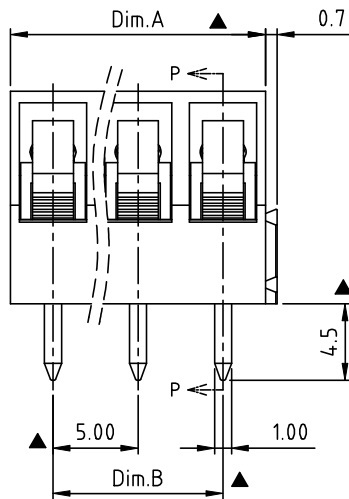
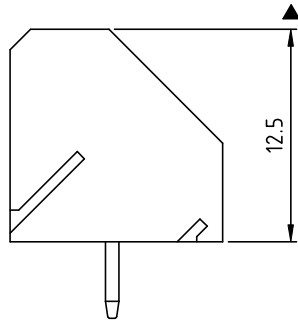


N = Number of poles
 Dim A = N x 5.0
 Dim B = (N-1) x 5.0

	Dim A	Dim B
2-6p	±0.15	±0.15
7-12p	±0.20	±0.20
13-18p	±0.30	±0.30
19-24p	±0.40	±0.40



SIGN	DATE	DESCRIPTION	APPROVER
△	11/28'06	Electrical changed	Tony
△	04/30'09	Add VDE Standand	Eris
△	04/30'09	The tolerance of dimension is changed	Eris
△	04/30'09	Temperature changed from -33~105°C to -40~115°C	Eris
△	09/14'09	Add chamfer	Aaron
△	09/22'11	Structure changed	ChenMing
△	12/03'12	Soldering temperature is changed from 250°C±10°C/5 Sec to 260°C±5°C/5 Sec	Guoxue

THIS IS CAD DRAWING, DO NOT REVISE MANUALLY!!

Material:

- Item ① Clamp: Brass, Ni plated
- Item ② Terminal screw: Steel Zinc plating "-" slot type.
- Item ③ Wire guard solder pin: Brass, Tin plated
- Item ④ Terminal housing: Thermoplastic (UL94V-0)

△ △ Electrical: UL/VDE

- Voltage rating: 300V/250V
- Current rating: 15A/10A
- Wire range: 0.34-4.0mm²
- Solid wire(AWG): 12-24
- Stranded wire(AWG): 12-24
- Torque: 3.5 Lb-In / 0.4 N.m
- Screw: M2.5
- Wire strip length: 6-7mm
- Withstanding Voltage: 1.6 KV/2 KV
- Operating temperature: -40°C to +115°C
- Soldering temperature: 260°C±5°C/5 Sec
- Safety Approval:
- Critical dimension: **TG xx 0 1 x 0 B xxx G**

No. OF POLES
 02: 2 POLES
 03: 3 POLES
 24: 24 POLES

COLOR

- 0 Black (RAL9005)
- 2 Red (RAL3001/D)
- 3 Orange (RAL2011/P)
- 4 Yellow (RAL1018/A)
- 5 Green (RAL6018/T)
- 6 Blue (RAL5015/A)
- 8 Grey (RAL7035/D)
- 9 White (RAL1102)
- C Grey (RAL6018/U)

RoHS compliant (lead<4%)
 In copper Alloy
 000 "@" logo
 00A "ANY" logo
 Any special item by customer request. please contact sales department.

Amphenol ANYTEK

CUSTOMER COPY

ALL RIGHTS RESERVED. REPRODUCTION OR ISSUE TO THIRD PARTIES IN ANY FORM WHATSOEVER IS NOT PERMITTED WITHOUT WRITTEN AUTHORITY FROM THE PROPRIETOR. PROPERTY OF ANYTEK TECHNOLOGY CO., LTD

TITLE		TG 5.0mm Long Interlock Type Series 2p-24p			
PART NO.	TGxx01x0BxxxG	DWG NO.	8TG0101		
APPROVED	CHECKED	DESIGNED	DRAWN	CUST NO.	Tolerance
		Guoxue 2012.12.03	Guoxue 2012.12.03		X. ±0.50
					X.X ±0.30
					X.XX ±0.10
					X° ±1°
				SHEET: 01/01	UNIT: mm
					SCALE: NONE
					REV.: H