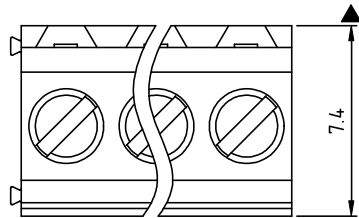
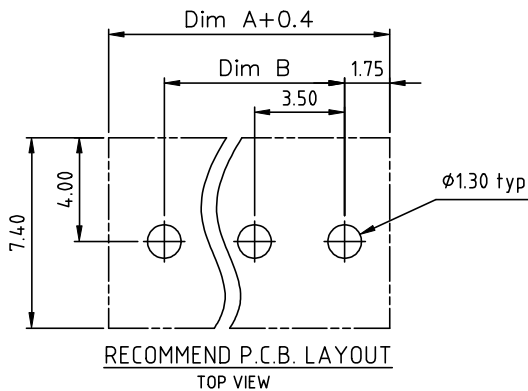
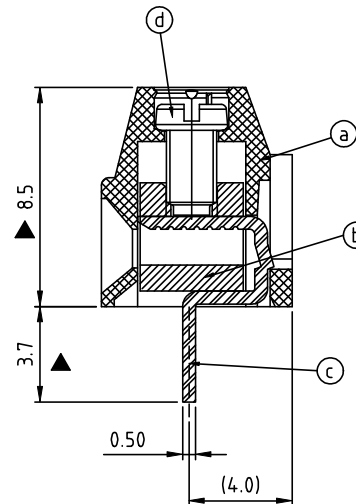
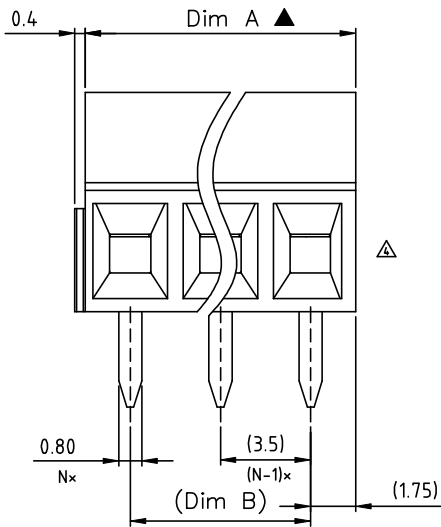


RoHS Compliant Δ



N = Number of poles
 Dim A = N x 3.5
 Dim B = (N - 1) x 3.5

Poles	Dim A
2-6p	±0.15
7-12p	±0.25
13-18p	±0.35
19-24p	±0.40



Rev	SIGN	DATE	DESCRIPTION	APPROVER
E	Δ	01/26'10	Soldering temperature changed from 245°C to 250°C	Tason
	Δ	01/26'10	Part No. is changed	Tason
F	Δ	03/18'11	Add is " TUV " and Torque is changed	Juany
G	Δ	01/08'14	change the structure	Guoxue
H	Δ	10/11'18	Change the withstanding voltage from 1.25KV to 1.5KV	PansLee
	Δ	10/11'18	Add the operating temperature "-40°C to +105°C"	PansLee
	Δ	10/11'18	Modify the drawing frame and update critical dimension	PansLee
	Δ	10/11'18	Add the reference dimension and note description	PansLee

THIS IS CAD DRAWING, DO NOT REVISE MANUALLY!!!

Material:

- Item ① Terminal housing :Thermoplastic (UL 94 V-0)
- Item ② Clamp : Brass,Ni plated
- Item ③ Wire guard solder pin : Brass,Tin plated
- Item ④ Terminal screw: Steel Zinc plating"-slot type

Δ Electrical cULus / TUV

- Voltage rating: 300V / 300V
- Current rating: 10A / 12A
- Wire range: 0.2~1.5mm²
- Solid wire(AWG): 16-24
- Stranded wire(AWG): 16-24

Δ ● Torque: 1.7 Lb-In / 0.2N.m (stackable type: 1.5Kgf cm)

● Screw: M2

● Wire strip length: 5-6mm

Δ ● Withstanding Voltage: 1.6KV / 1.5KV

Δ ● Operating temperature: -40°C to +115°C / -40°C to +105°C

Δ ● Wave soldering temperature: 260°C±5°C/5 Sec

● Safety Approval: cULus TUV

Δ ● Critical dimension: \blacktriangle

Δ ● Reference dimension: (x) The dimensions of pitch are just for reference, take the actual assembly result as a judgment when inserting the terminal block into the PCB hole.

Δ YO xx 01 x 0 xxxx G

No. of poles	Color	RoHS compliant (lead<4%) In copper Alloy
0	Black (RAL9005)	0000 Standard @ Logo
02	2 POLES Red (RAL3001/D)	000A Standard ANY Logo
03	3 POLES Orange(RAL2011/P)	Any special item by customer request, please contact sales department.
...
24	24 POLES Green(RAL6018/T)	...
	6 Blue (RAL5015/A)	
	8 Grey(RAL7035/D)	
	9 White(RAL1102)	
	C Green(RAL6018/U)	

Amphenol ANYTEK

CUSTOMER COPY

ALL RIGHTS RESERVED. REPRODUCTION OR ISSUE TO THIRD PARTIES IN ANY FORM WHATSOEVER IS NOT PERMITTED WITHOUT WRITTEN AUTHORITY FROM THE PROPRIETOR. PROPERTY OF ANYTEK TECHNOLOGY CO., LTD

TITLE		YO 3.5 Series 2P-24P		DWG NO.		8Y00001	
PART NO.		YOxx01x0xxxxG		APPROVED		CHECKED	
DESIGNED		DRAWN		CUST NO.		Tolerance	
PansLee 2018.10.25		PansLee 2018.10.25		UNIT: mm		X. ±0.50	
SHEET: 01/01		REV.: H		SCALE: NONE		X.X ±0.30	
						X.XX ±0.10	
						X° ±1°	