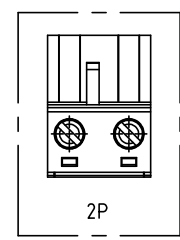
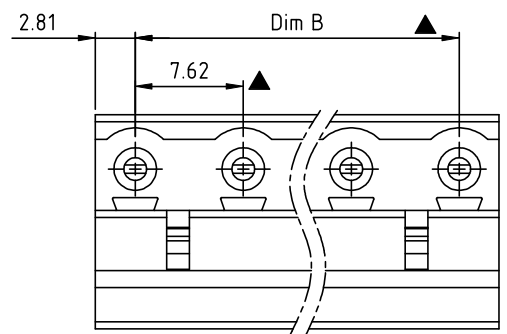


THIS IS CAD DRAWING, DO NOT REVISE MANUALLY!!!

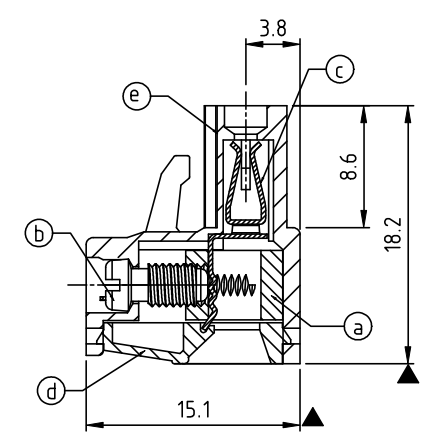
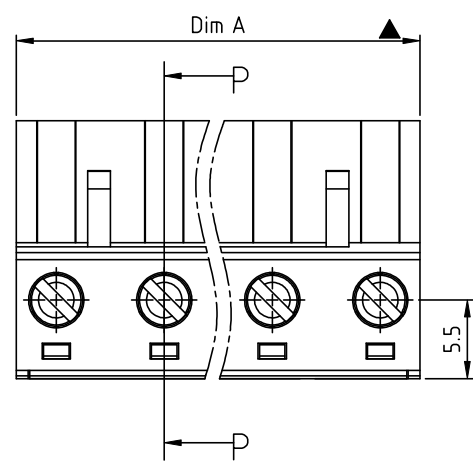
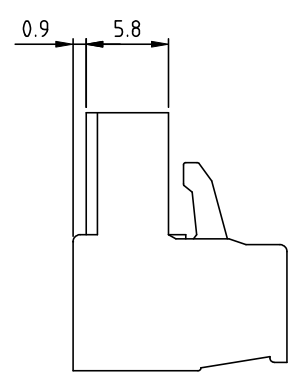


Material

- Item (a) Clamp: Brass(CuZn) Ni plated
- Item (b) Terminal screw: Steel Zinc plating "-" slot type
- Item (c) Female contact: PhBz ,Bright Tin plated over Nickel plated
- Item (d) Terminal Cover: Thermoplastic (UL94V-0)
- Item (e) Terminal housing: Thermoplastic (UL94V-0)

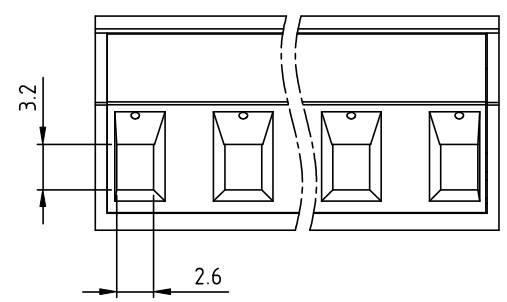
Electrical cULus

- Voltage rating: 300VAC
- Current rating: 12A
- Wire range:
- Solid wire(AWG): 12-24
- Stranded wire(AWG): 12-24
- Torque: 5Lb-In
- Screw: M3
- Wire strip length: 7-8mm
- Withstanding Voltage: 1.6KV
- Operating temperature: -40°C to +115°C
- Safety Approval:
- Critical dimension: ▲



SECTION P-P

TJ xx 01 x 0 xxxx G		G RoHS compliant (lead<4%) In copper Alloy
	Color	
02 2 Poles	0 Black (RAL9005)	0000 Standard @ Logo
03 3 Poles	2 Red (RAL3001/D)	000A Standard ANY Logo
...	3 Orange(RAL2011/P)	0091 Standard ANY Logo
16 16 Poles	4 Yellow(RAL1018/A)	Any special item by customer request, please contact sales department.
	5 Green(RAL6018/T)	
	6 Blue (RAL5015/A)	
	8 Grey(RAL7035/D)	
	9 White(RAL1102)	
	C Green(RAL6018/U)	



N = Number of poles
 Dim A=(N-1)X7.62+5.62
 Dim B=(N-1)x7.62

Poles	Tolerance Dim A/B
2p-6p	±0.15
7p-12p	±0.20
13p-16p	±0.30

		CUSTOMER COPY <small>ALL RIGHTS RESERVED. REPRODUCTION OR ISSUE TO THIRD PARTIES IN ANY FORM WHATSOEVER IS NOT PERMITTED WITHOUT WRITTEN AUTHORITY FROM THE PROPRIETOR. PROPERTY OF ANYTEK TECHNOLOGY CO., LTD</small>	
PART NO. TJxx01x0xxxxG		DWG NO. 8TJ0401	
APPROVED	CHECKED	DESIGNED	DRAWN
		Chen Bo 04/12-21	Chen Bo 04/12-21
		CUST NO.	
		UNIT: mm SCALE: NONE SHEET: 01/01 REV.: G	
		Tolerance X.X ±0.50 X.XX ±0.30 X.XX ±0.10 X° ±1°	