

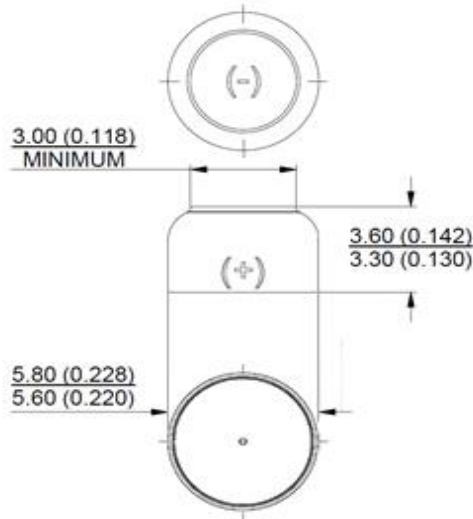
ENERGIZER 10 size - **Mercury Free**

ZnAir



Industry Standard Dimensions

mm (inches)

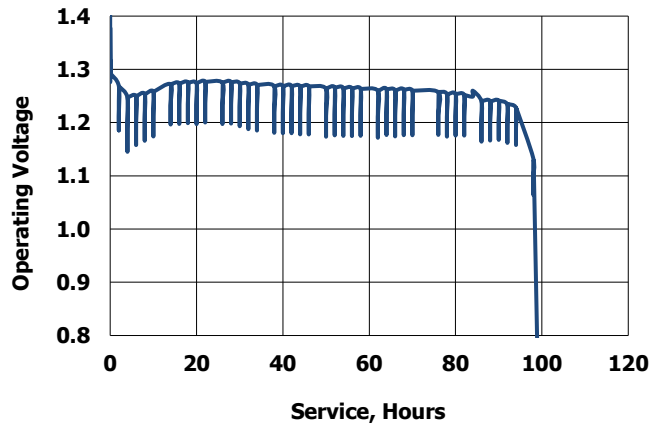


General Information

Chemical System:	Zinc Air (Zn/O ₂)
Tab Color:	Yellow
Designation:	ANSI-7005ZD, IEC-PR70
Nominal Voltage:	1.4 Volts
Typical Capacity:	92 mAh (to 1.05 volts) (IEC-STD at 5/1 at 21°C)
Typical Weight:	0.32 grams (0.01 oz.)
Typical Volume:	0.08 cubic centimeters (0.005 cubic inch)

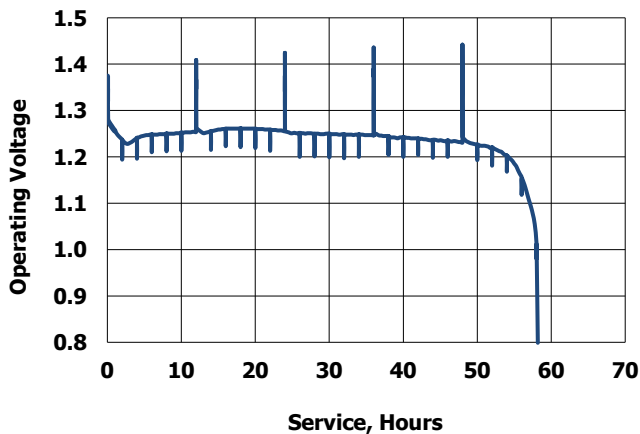
Typical Discharge Characteristics

IEC Industry Standards / Hearing Aid Standard
(5/1 mA .1S/1H59M 59.9S 12H at 21C)



Typical Discharge Characteristics

ANSI/IEC Industry Standards / Hearing Aid High Drain
(5/1.5 mA .1S/1H59M 59.9S 12H at 21C)



Important Notice

This datasheet contains typical information specific to products manufactured at the time of its publication.
Contents herein do not constitute a warranty and are for reference only.