

2350513-3 ✓ ACTIVE

Buchanan

TE Internal #: 2350513-3

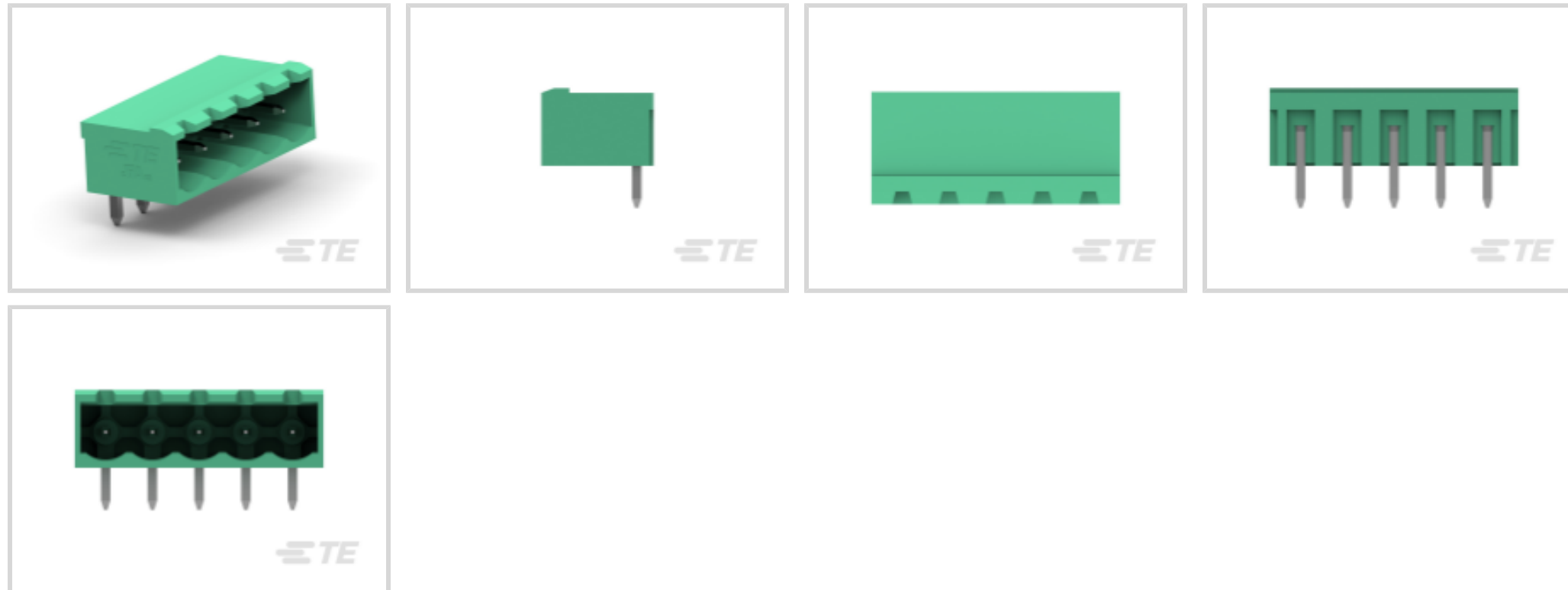
PCB Terminal Blocks, Header, Wire-to-Board, 3 Positions, 5mm [.197in] Centerline, 1 Rows, 16A Current Rating (Max), 300VAC

Voltage Rating

[View on TE.com >](#)



Connectors > Terminal Blocks & Strips > PCB Terminal Blocks



Terminal Block Connector Type: **Header**

Connector System: **Wire-to-Board**

Number of Positions: **3**

Centerline (Pitch): **5 mm [.197 in]**

Number of Rows: **1**

## Features

### Product Type Features

Block Type	PCB Mount
Header Type	Shrouded
Terminal Block Connector Type	Header
Connector System	Wire-to-Board
Connector & Contact Terminates To	Printed Circuit Board

### Configuration Features

Number of Positions	3
Number of Rows	1

### Electrical Characteristics

Current Rating (Max)	16 A
Voltage Rating	300 VAC

### Body Features

Color	Green
-------	-------



### Contact Features

Contact Mating Area Plating Material	Tin
Contact Mount	Through Hole
Contact Base Material	Brass
Contact Current Rating (Max)	16 A

### Mechanical Attachment

Mounting Angle	Right Angle
Mating Angle	90°
Connector Mounting Type	Board Mount

### Housing Features

Housing Color	Green
Housing Material	PA 66
Centerline (Pitch)	5 mm [.197 in]

### Dimensions

PCB Tail Length	4.5 mm [.177 in]
-----------------	------------------

### Usage Conditions

Operating Temperature Range	-40 – 105 °C [-40 – 221 °F]
-----------------------------	-----------------------------

### Operation/Application

Circuit Application	Power & Signal
---------------------	----------------

### Packaging Features

Packaging Method	Box
------------------	-----

### Product Compliance

[For compliance documentation, visit the product page on TE.com>](#)

EU RoHS Directive 2011/65/EU	Compliant
EU ELV Directive 2000/53/EC	Not Yet Reviewed
China RoHS 2 Directive MIIT Order No 32, 2016	No Restricted Materials Above Threshold
EU REACH Regulation (EC) No. 1907/2006	Current ECHA Candidate List: JUN 2020 (209) Candidate List Declared Against: JAN 2020 (205) Does not contain REACH SVHC
Halogen Content	Not Low Halogen - contains Br or Cl > 900 ppm.

Solder Process Capability

Not reviewed for solder process capability

Product Compliance Disclaimer

This information is provided based on reasonable inquiry of our suppliers and represents our current actual knowledge based on the information they provided. This information is subject to change. The part numbers that TE has identified as EU RoHS compliant have a maximum concentration of 0.1% by weight in homogenous materials for lead, hexavalent chromium, mercury, PBB, PBDE, DBP, BBP, DEHP, DIBP, and 0.01% for cadmium, or qualify for an exemption to these limits as defined in the Annexes of Directive 2011/65/EU (RoHS2). Finished electrical and electronic equipment products will be CE marked as required by Directive 2011/65/EU. Components may not be CE marked. Additionally, the part numbers that TE has identified as EU ELV compliant have a maximum concentration of 0.1% by weight in homogenous materials for lead, hexavalent chromium, and mercury, and 0.01% for cadmium, or qualify for an exemption to these limits as defined in the Annexes of Directive 2000/53/EC (ELV). Regarding the REACH Regulation, the information TE provides on SVHC in articles for this part number is based on the latest European Chemicals Agency (ECHA) 'Guidance on requirements for substances in articles' posted at this URL: <https://echa.europa.eu/guidance-documents/guidance-on-reach>

### Compatible Parts



TE Model / Part # 2350397-3  
3 POS SPRING TB PLUG, PITCH 5.00



TE Model / Part # 1986484-3  
Plug, 5.08mm, Gn, Ss & WE same side, 3p

### Customers Also Bought



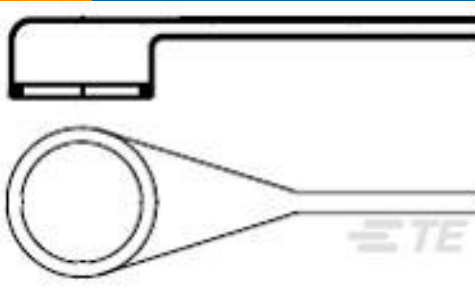
TE Model / Part #2350513-4  
4POS TB HDR 90 DEG, PITCH 5.0 & TL 4.5mm



TE Model / Part #2350513-2  
2POS TB HDR 90 DEG, PITCH 5.0 & TL 4.5mm



TE Model / Part #2350513-5  
5POS TB HDR 90 DEG, PITCH 5.0 & TL 4.5mm



TE Model / Part #738010-000  
222D953-12-0



TE Model / Part #6-146500-2  
24 MODII HDR DRST UNSHRD STKG



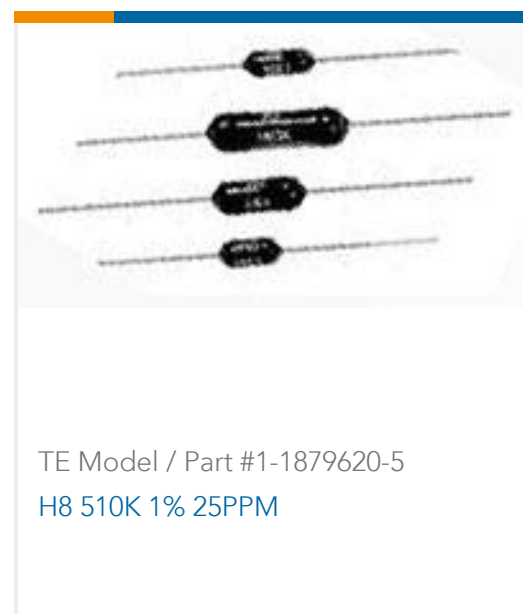
TE Model / Part #4-174904-2  
1.25FP,R12,DL,O,N,BG



TE Model / Part #3-1123723-3  
3.96 EP HDR ASSY 3P(BLUE)



TE Model / Part #60598-8  
058 PIN REC 24-20 010GPBECU



## Documents

### Product Drawings

[3POS TB HDR 90 DEG, PITCH 5.0 & TL 4.5mm](#)

English

### CAD Files

[3D PDF](#)

3D

Customer View Model

[ENG\\_CVM\\_CVM\\_2350513-3\\_1.2d\\_dxf.zip](#)

English

Customer View Model

[ENG\\_CVM\\_CVM\\_2350513-3\\_1.3d\\_igs.zip](#)

English

Customer View Model

[ENG\\_CVM\\_CVM\\_2350513-3\\_1.3d\\_stp.zip](#)

English

By downloading the CAD file I accept and agree to the [Terms and Conditions](#) of use.

### Product Specifications

[Application Specification](#)

English

### Agency Approvals

[VDE Certificate](#)

English