

REVISIONS					
P	LTR	DESCRIPTION	DATE	DWN	APVD
A	ECR-21-000134		06JAN2021	SS	RS

D

C

B

A

D

C

B

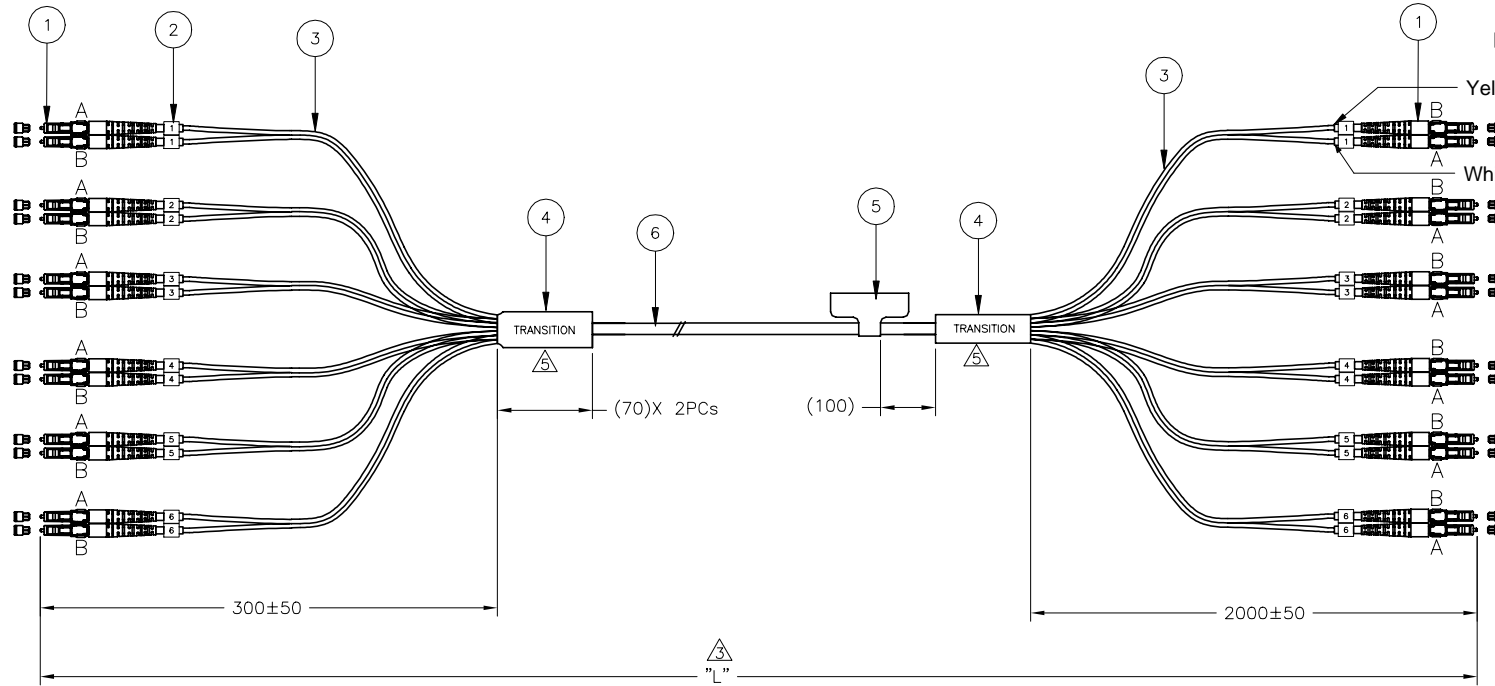
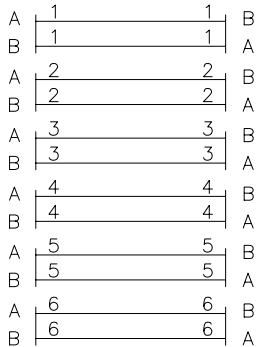
A

END A

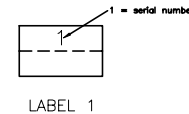
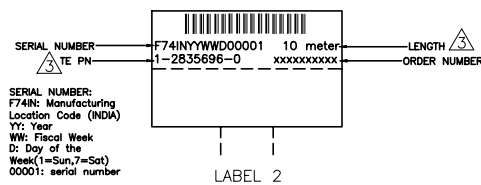
END B

END A

END B



DETAIL FOR REFERENCE ONLY



NOTES:

- MAX. CONNECTOR ATTENUATION 0.3dB, MEASURED AT 1310 nm AND 1550 nm ACCORDING TO IEC 61300-3-4 INSERTION METHOD B
 - MIN. RETURN LOSS 50 dB, IN MATED CONDITION AGAINST REFERENCE CONNECTOR AT 1310 nm AND 1550 nm
 - INFORMATION ON LABEL, SEE DETAIL FOR EXAMPLE.
 - CABLE INFORMATION:
 - CORE DIAMETER: 9/125um
 - OUTER JACKET DIAMETER: Ø6.8MM
 - OUTER JACKET COLOUR: BLACK
 - OUTER JACKET MATERIAL: LSZH
 - CABLE ATTENUATION:0.4dB/km @1310 nm OR 0.3dB/km @1550 nm
 - UL1666 & CPR: Dca-s2,d1,a1 COMPLIANCE
- THE TRANSITION DEVICE MEETS IP67

2835696


L	Ø6.8MM FO CABLE 12FIBER, SINGLE MODE G657A2, LSZH, BLACK	6
1	MARKER LABEL 2	5
2	CABLE BRANCHING DEVICE, 12C	4
L	FLEXIBLE PROTECTION TUBE, LSZH, BLACK Ø2-2.5mm	3
24	MARKER LABEL 1	2
12	LC DUPLEX CONNECTOR, SINGLE MODE, BLUE	1
Qty	Description	Item
THIS DRAWING IS A CONTROLLED DOCUMENT.		
DWN: SIDDHARTH SINGH 20NOV2020 CHK: HERBERT. ZHANG 20NOV2020 APVD: ROGER SONG 20NOV2020		NAME: FOSM 12F LC DUPLEX-LC DUPLEX
DIMENSIONS: mm		RESTRICTED TO
TOLERANCES UNLESS OTHERWISE SPECIFIED:		SIZE: A2
0 PLC ± - 1 PLC ± - 2 PLC ± - 3 PLC ± - 4 PLC ± - ANGLES ± -		CAGE CODE: 00779
MATERIAL: - FINISH: -		DRAWING NO: 2835696
WEIGHT: -		SCALE: NTS
CUSTOMER DRAWING		SHEET: 1 of 2
		REV: A

REVISIONS					
P	LYR	DESCRIPTION	DATE	DWN	APVD
-		SEE SHEET 1	-	-	-

LENGTH "L" IN MM	TOLERANCE
L ≤ 50000	±1%
L > 50000	±1%

PART NUMBER	DESCRIPTION	LENGTH (Meters)	REMARKS
1-2835696-0	FOSM 12F LC DUPLEX-LC DUPLEX,10m	10±0.10	
2-2835696-0	FOSM 12F LC DUPLEX-LC DUPLEX,20m	20±0.20	
3-2835696-0	FOSM 12F LC DUPLEX-LC DUPLEX,30m	30±0.30	
5-2835696-0	FOSM 12F LC DUPLEX-LC DUPLEX,50m	50±0.50	
7-2835696-0	FOSM 12F LC DUPLEX-LC DUPLEX,70m	70±0.70	
9-2835696-9	FOSM 12F LC DUPLEX-LC DUPLEX,100m	100±1.0	
9-2835696-8	FOSM 12F LC DUPLEX-LC DUPLEX,150m	150±1.5	
9-2835696-6	FOSM 12F LC DUPLEX-LC DUPLEX,250m	250±2.5	

2835696

THIS DRAWING IS A CONTROLLED DOCUMENT.		DWN SIDDHARTH SINGH 20NOV2020																														
		CHK HERBERT ZHANG 20NOV2020																														
DIMENSIONS: mm		TOLERANCES UNLESS OTHERWISE SPECIFIED:		NAME ROGER SONG																												
<table border="1"> <tr><td>0</td><td>PLC</td><td>±</td><td>-</td></tr> <tr><td>1</td><td>PLC</td><td>±</td><td>-</td></tr> <tr><td>2</td><td>PLC</td><td>±</td><td>-</td></tr> <tr><td>3</td><td>PLC</td><td>±</td><td>-</td></tr> <tr><td>4</td><td>PLC</td><td>±</td><td>-</td></tr> <tr><td colspan="2">ANGLES</td><td>±</td><td>-</td></tr> <tr><td colspan="2">FINISH</td><td></td><td></td></tr> </table>		0	PLC	±	-	1	PLC	±	-	2	PLC	±	-	3	PLC	±	-	4	PLC	±	-	ANGLES		±	-	FINISH				PRODUCT SPEC -		APPLICATION SPEC -
0	PLC	±	-																													
1	PLC	±	-																													
2	PLC	±	-																													
3	PLC	±	-																													
4	PLC	±	-																													
ANGLES		±	-																													
FINISH																																
MATERIAL -	FINISH -	WEIGHT -	SIZE A2	CAGE CODE 00779																												
CUSTOMER DRAWING			DRAWING NO C-2835696	RESTRICTED TO -																												
			SCALE NTS	SHEET 2 of 2																												
			REV A																													