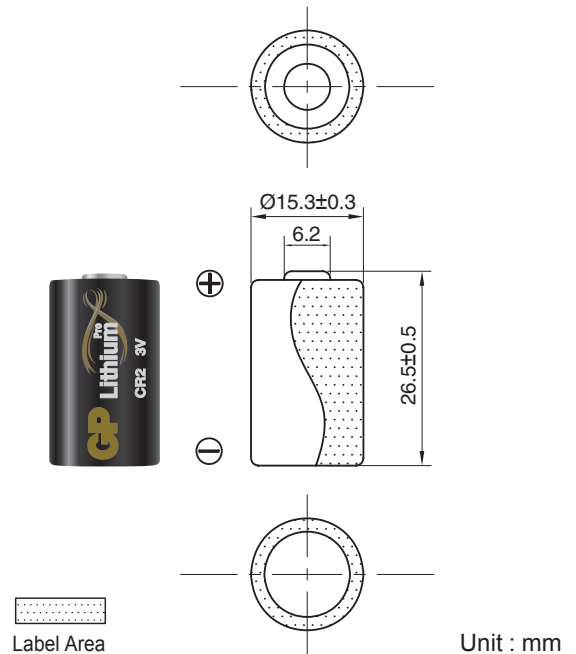


Description	: Consumer Lithium Battery, CR2 Pro
Chemical System	: Lithium Manganese Dioxide
Nominal Voltage	: 3.0 Volts
Nominal Capacity	: 800mAh @ 10mA to 1.8V at 23°C
Dimensions	: Ø15.3 mm x 26.5 mm
Terminals	: Flat
Shelf Life	: Up to 10 years
Average Weight	: App. 10g
Application	: Smoke Detector, Sensors, Home Security Products
Operating Temperature	: -40°C to +60°C
Standards	: UL1642, UL2054, IEC60086-4, UN38.3

Model No.: **GPCR2 Pro**

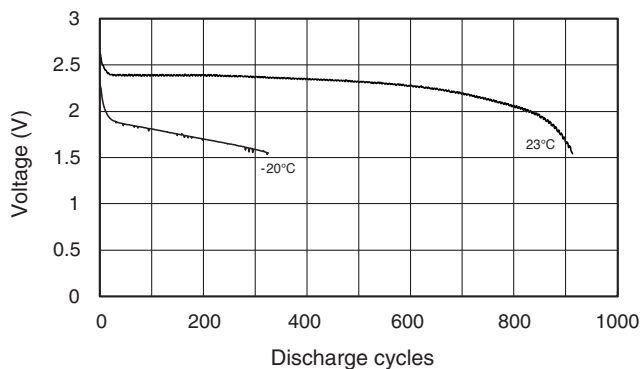


Cross References:

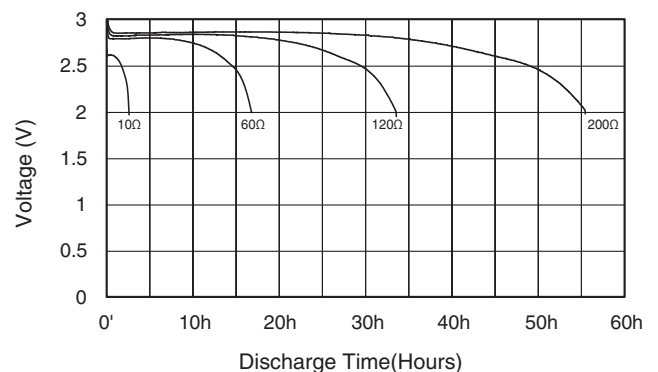
JIS	GP	Panasonic	Energizer	Duracell
CR15H270	CR2	CR-2	EL1CR2	DLCR2

Discharge Characteristics

900mA, 3 seconds on / 27 seconds off




Continuous Discharge at 23°C



The information (subject to change without prior notice) contained in this document is for reference only and should not be used as a basis for product guarantee or warranty. For applications other than those described here, please consult your nearest GP Sales and Marketing Office or Distributors.

www.gpbatteries.com

Manufacturer reserves the right to alter or amend the design, model and specification without prior notice.
Copyright © GPI International Ltd. - All rights reserved

 Member
Gold Peak Group