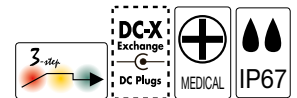


- 3-step charge control with current detection as charge termination
- Universal input voltage (90-264 VAC)
- 3-colored LED indicator
- Order mains cord separately
- Custom design on request: NTC, charge current, other
- Waterproof IP67 version available

Approvals:

- Home Healthcare EN 60601-1-11
- Medically certified
- Safety: EN 60601-1 ed. 3.1
- EMC: EN 60601-1-2 ed. 4
- UL approved

For updates: see www.mascot.no



TECHNICAL SPECIFICATIONS 12V

GENERAL INPUT/OUTPUT

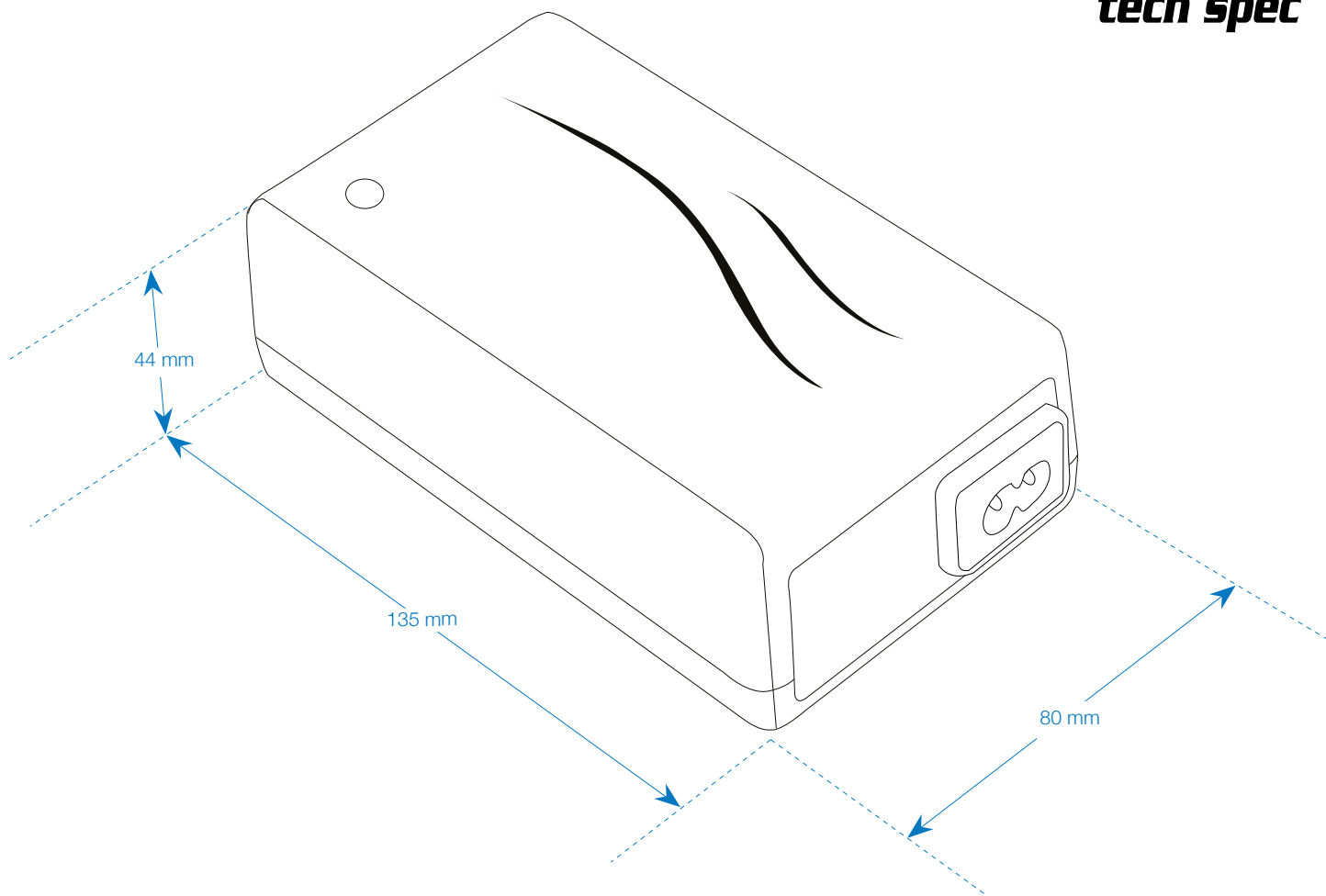
Input voltage:	90-264 VAC
Line frequency:	47 – 63Hz
Ripple:	< 100 mV p-p
Switch frequency approx.:	40 kHz
Leakage current from battery w. mains switched off:	<0,4mA @ 7,4V (2-cell version)
Temperature range	
• Operating:	-25 °C - +40 °C
• Storage:	-25 °C - +85 °C
Dimensions (LxWxH):	135 x 80 x 44 mm
Weight:	390 g (890 g IP67)

SAFETY PROTECTION EMC

Protection	Protected against reversed polarity and short circuit proof
Insulation class:	Class II (Class I on request)
Insulation voltage	
Primary-secondary:	4000VAC / 5700VDC
Electrical safety std:	EN/IEC 60335-2-29, EN/IEC/ANSI 60601-1 (3rd Ed) & EN/IEC 60601-1-11
EMC standards:	EN 55014-1 and -2, EN/IEC 61000-6-3, EN/IEC 61000-6-1, EN/IEC 60601-1-2
Input terminal:	2-pin IEC-320, 2-pin IEC60320/C8 (3-pin IEC 60320/C14 or fixed cord on request)
Output terminals:	Cord w/wout plug
IP-grade:	41

Voltage versions – see next page
Spenningsversjoner – se neste side

			Charge control / Ladekontroll						
			Step 1 (orange)	Step 2a (orange)	Step 2b (yellow / gul)	Step 3 (green / grønn)			
Cells	Max output power (W)	Efficiency (100% at 230V)	Charge current	Charge voltage	To yellow when current is:	Charge termin. when current is:	Charge start Vbat<		
Celler	Maks. utg. effekt	Virkningsgrad	Ladestrøm	Ladespenning	Til gul når strøm er:	Ladestopp når strøm er:	Ladestart Vbat<		
1	17	>60 %	4A ±0.2A	4.2V ±0.05V	< 1.8A ±0.2A	<300mA ± 25%	4.1V±0.1V	Or mains turned on/ Eller nettpåslag	
2	34	>80 %	4A ±0.2A	8.4V ±0.1V	< 1.8A ±0.1A	<300mA ± 25%	8.0V±0.1V		
3	51	>81 %	4A ±0.2A	12.6V ±0.1V	< 1.8A ±0.1A	<300mA ± 25%	12.3V±0.1V		
4	59	>85 %	3.5A ±0.2A	16.8V ±0.1V	< 1.6A ±0.1A	<300mA ± 25%	16.4V±0.1V		
5	70	>85 %	3.3A ±0.2A	21V ±0.1V	< 1.6A ±0.1A	<300mA ± 25%	20.5V±0.1V		
6	71	>86 %	2.8A ±0.2A	25.2V ±0.2V	< 1.6A ±0.1A	<300mA ± 25%	24.6V±0.2V		
7	74	>85 %	2.5A ±0.2A	29.4V ±0.2V	< 0.8A ±0.1A	<300mA ± 25%	28.7V±0.2V		
8	71	>85 %	2.1A ±0.2A	33.6V ±0.1V	< 0.8A ±0.1A	<300mA ± 25%	32.8V±0.1V		
9	72	85 %	1.9A ±0.2A	37.8V ±0.2V	< 0.8A ±0.1A	<200mA ± 25%	36.9V±0.2V		
10	76	88 %	1.8A ±0.1A	42.0V ±0.2V	0.8A ±0.1A	<200mA ± 25%	41.0V±0.2V		
11	74	87 %	1.6A ±0.1A	46.2V ±0.2V	< 0.8A ±0.1A	<200mA ± 25%	45.1V±0.2V		
12	73	87 %	1.45A ±0.1A	50.4V ±0.3V	< 0.6A ±0.1A	<200mA ± 25%	49.2V±0.3V		
13	74	87 %	1.35A ±0.1A	54.6V ±0.3V	< 0.6A ±0.1A	<100mA ± 25%	53.3V±0.3V		
14	76	88 %	1.3A ±0.1A	58.8V ±0.3V	0.6A ±0.1A	<100mA ± 25%	57.4V±0.3V		
15	72	87%	1.15A ±0.1A	63.0V ±0.3V	0.6A ±0.1A	<100mA ± 25%	61.5V±0.3V		
16	67	87 %	1.0A ±0.1A	67.2V ±0.3V	0.6A ±0.1A	<100mA ± 25%	65.6V±0.3V		



Mounting brackets

TYPE 201970

1 mounting bracket per unit
Available separately

