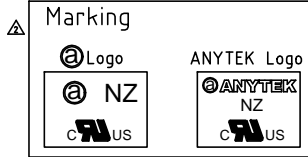


RoHS Compliant

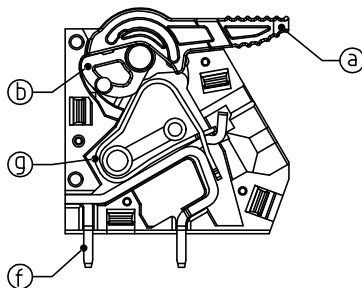
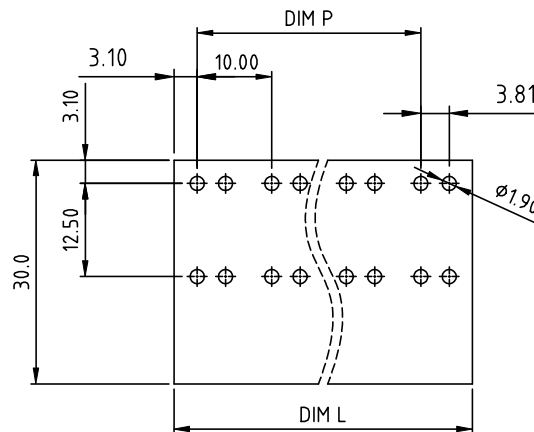
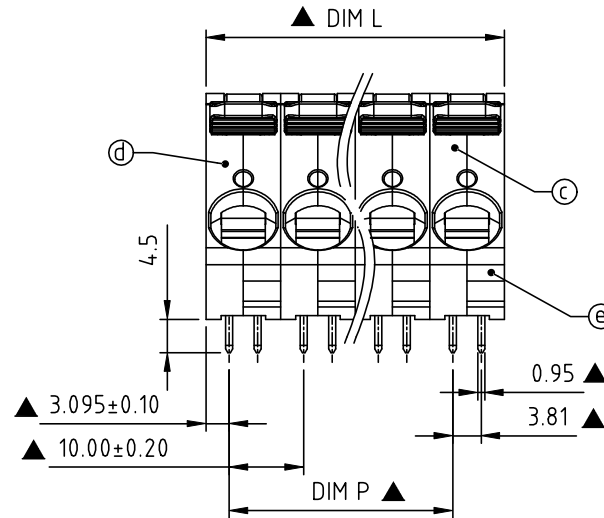
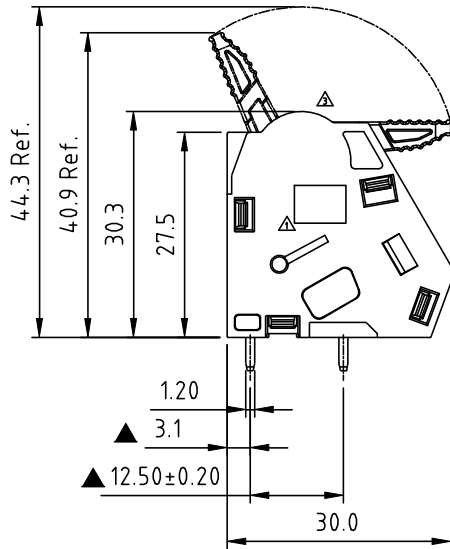
N=NUMBER OF CONTACTS

DIM		TOL				
		1P	2P	3P-4P	5P-8P	9P-12P
Dim L	N×10.0	±0.20	±0.40	±0.40	±0.50	±0.60
Dim P	(N-1)×10.0	/	±0.20	±0.40	±0.50	±0.60



REV	SIGN	DATE	DESCRIPTION	APPROVER
C	△	05/09-18	Update the drawing	zhangcan
C	△	05/09-18	Add Marking and RoHS compliant	zhangcan
D	△	2018.08.29	Modify the Struction	LENA

THIS IS CAD DRAWING, DO NOT REVISE MANUALLY!!!



Material:

- Item (a) Lever: Thermoplastic (UL 94V-0),
- Item (b) Cam: Thermoplastic (UL 94V-0),
- Item (c) Middle Body: Thermoplastic (UL 94V-0),
- Item (d) Left side body: Thermoplastic (UL 94V-0),
- Item (e) Right side body: Thermoplastic (UL94V-0),
- Item (f) Contact: Copper, Matte Tin plated over Nickel plated,
- Item (g) Spring clamp: Stainless steel

Electrical:

- Voltage rating: 300 V
- Current rating: 55A
- Wire range(AWG): 16-6 (Solid & Stranded)
- Wire strip length: 12-13 mm
- Withstanding Voltage: 1.6KV
- Operating temperature: -40°C to +115°C
- Soldering temperature: 260°C±5°C/5 Sec
- Safety Approval: cULus
- Critical dimension: ▲
- Part No.:

NZ XX 0 0 X B XXXX G

No. OF POLES	Body	Color	RoHS compliant (lead<4%) In copper Alloy
01 1 Pole			0000: "@" Logo (Standard)
02 2 Poles			000A: "ANYTEK" Mark
12 12 Poles	0 Black (RAL9005)		
	2 Red (RAL3001/D)		
	3 Orange(RAL2011/P)		
	4 Yellow(RAL1018/A)		
	5 Green(RAL6018/T)		
	6 Blue (RAL5015/A)		
	8 Grey(RAL7004/P)		
	9 White(RAL1102)		
	C Multiple colors		

Amphenol
ANYTEK

CUSTOMER COPY

ALL RIGHTS RESERVED. REPRODUCTION OR ISSUE TO THIRD PARTIES IN ANY FORM WHATEVER IS NOT PERMITTED WITHOUT WRITTEN AUTHORITY FROM THE PROPRIETOR. PROPERTY OF ANYTEK TECHNOLOGY CO., LTD

TITLE	NZ 10.0mm Pitch, Without Jumper Slot Series (1P-12P)			
PART NO.	NZ XX00XBXXXXG		DWG NO.	8NZ0002
APPROVED	CHECKED	DESIGNED	DRAWN	CUST NO.
		LENA 2018.08.29	LENA 2018.08.29	
				Tolerance
				X. ±0.50
				X.X ±0.30
				X.XX ±0.10
				X° ±1°
				UNIT: mm
				SCALE: 1:1
				SHEET: 01/01
				REV.: D