

N=NUMBER OF POLES

Dim L	$N \times 5.0 + 1.00$
Dim B	$(N-1) \times 5.0$

POLES	Dim L	Dim B
1p	± 0.1	
2p-6p	± 0.2	± 0.15
7p-12p	± 0.3	± 0.25
13p-18p	± 0.4	± 0.35
19p-24p	± 0.45	± 0.4

SIGN	DATE	DESCRIPTION	APPROVER
△	01/24/07	The Soldering temperature from 245° to 250°	Aaron
△	01/02/13	change the electrical specification and the dimension from 3.6 to 3.3	Da cheng

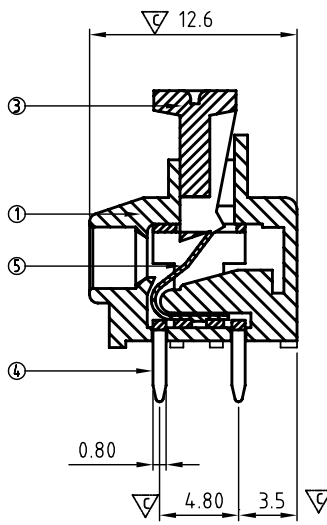
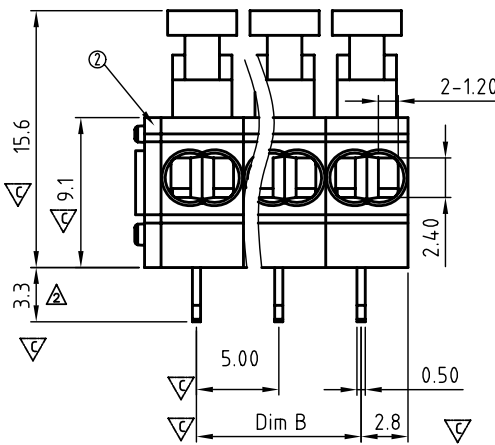
THIS IS CAD DRAWING, DO NOT REVISE MANUALLY!!!

Material

- Item 1 Insulating body Thermoplastic (UL94V-0)
- Item 2 Insulating cover Thermoplastic (UL94V-0)
- Item 3 Insulating lever Thermoplastic (UL94V-0) Natural color
- Item 4 Contact pin Brass, Tin plated
- Item 5 Spring clamp Stainless steel

Electrical Us

- Voltage rating: 300VAC
- Current rating: 10A
- Wire range:
 - Solid wire: 2xAWG 18-24
 - Stranded wire: 2xAWG 18-24
- △ ● Wire strip length: 9-10mm
- Withstanding Voltage: 1.6KV
- △ ● Operating temperature: -40°C to +115°C
- △ ● Soldering temperature: 260°C±5°C/5 Sec
- △ ● Safety Approval:
- △ ● Critical dimension: ▽



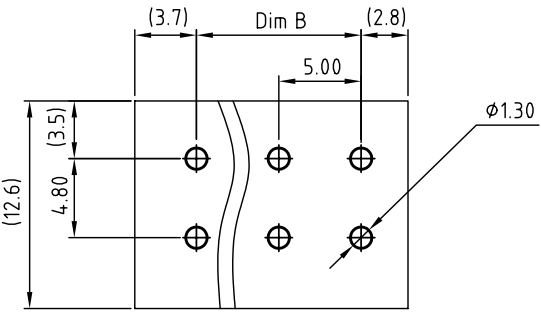
HB xx 0 2 x 0 xxxx G

△ No. OF POLES
 01: 1 POLES
 02: 2 POLES
 :
 :
 24: 24 POLES

△ Body Color
 0 Black (RAL9005)
 2 Red (RAL3001/D)
 3 Orange(RAL2011/P)
 4 Yellow(RAL1018/A)
 5 Green(RAL6018/T)
 6 Blue (RAL5015/A)
 8 Grey(RAL7004/P)
 9 White(RAL1102)
 C Multiple colors

0000 Standard @ Logo
 000A Standard ANY Logo
 Any special item by customer request, please contact sales department.

△ RoHs compliant (lead<4%) In copper Alloy



P.C.B. LAYOUT
 △ Top view

ANYTEK		CUSTOMER COPY			
TITLE	HB 5.0mm Series (Double wire)				
PART NO.	HBxx02x0xxxxG	DWG NO.	8HB0002		
APPROVED	CHECKED	DESIGNED	DRAWN	CUST NO.	Tolerance
		Da cheng 2013.01.02	Da cheng 2013.01.02		X. ±0.50 X.X ±0.30 X.XX ±0.10 X° ±1°
				UNIT: mm	
				SCALE: NONE	
				REV.: E	
				SHEET: 01/01	