


SIGN	DATE	DESCRIPTION	APPROVER
△	05/15`12	PART NO, is changed	Chen Bo
△	08/05`13	add the safety certification icon	Chen Bo

*THIS IS CAD DRAWING, DO NOT REVISE MANUALLY!!!*

NOTE:

- Item ① Insulator(housing): High temp. polyamide(UL94V-0)
- Item ② Terminal Body: Brass
- Item ③ Cover: High temp. polyamide(UL94V-0)

Electrical: cULus

- Voltage rating: 300V
- Current rating: 10A
- Withstanding Voltage: 1.6 KV
- Operating temperature: -45°C to +65°C
- Soldering temperature: 280°C/10 Sec
- Safety Approval: 
- Critical dimension: ▽

TYPE	DIM. A	DIM. B
TYPE #1	10.15mm	10.75mm
TYPE #2	10.40mm	11.00mm
TYPE #3	15.50mm	16.10mm
TYPE #4	14.20mm	14.80mm

△ FW xx 0 x x x xxxx G

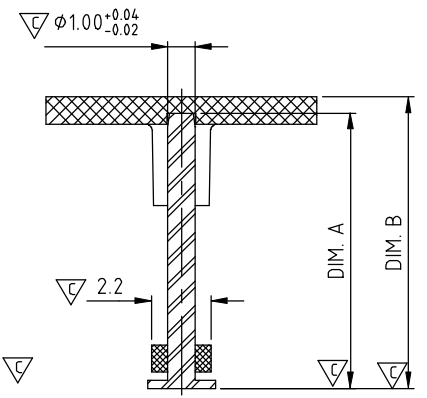
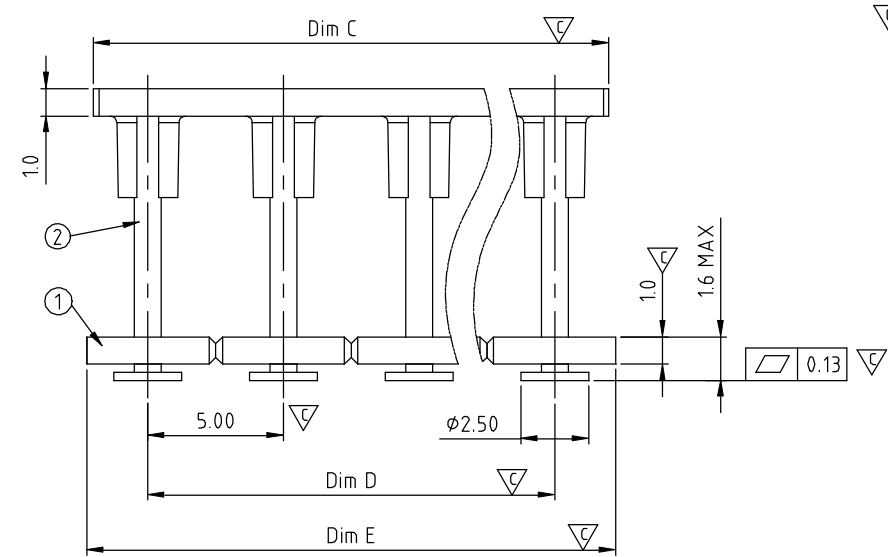
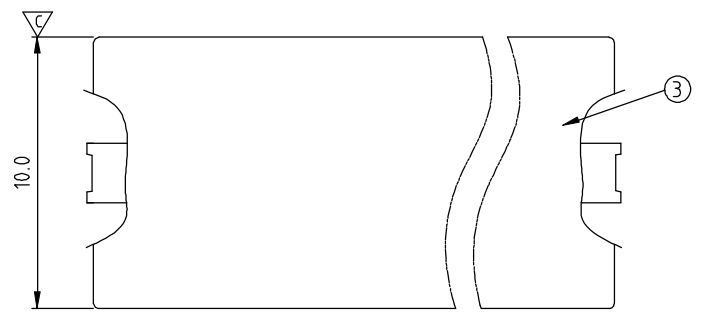
NO. OF POLES ——— G RoHS compliant (lead<4%) In copper Alloy

PIN TYPE ——— 0000: (Standard) Any special item by customer request. please contact sales department.

PLATED ——— Packaging

0: Tin 0: T&R Packing

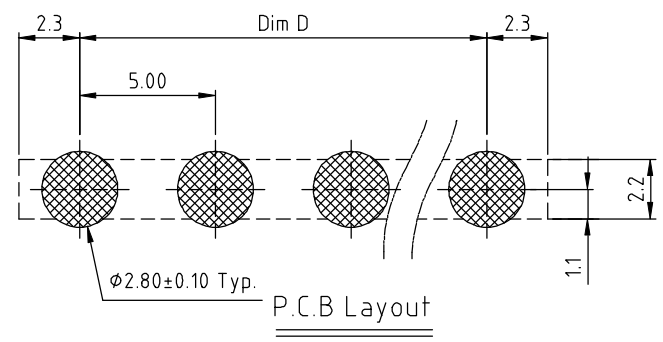
2: G/F 1: T/B Packing

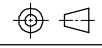


N=Number of Poles

DIM. C = N×5.0-1.0  
 DIM. D = (N-1)×5.0  
 DIM. E = N×5.0-0.5

POLES	DIM. C	DIM. D	DIM. E
2P-3P	±0.15	±0.10	±0.15
4P-7P	±0.20	±0.20	±0.20
8P-12P	±0.25	±0.25	±0.25



<b>ANYTEK</b>				<b>CUSTOMER COPY</b>			
ALL RIGHTS RESERVED. REPRODUCTION OR ISSUE TO THIRD PARTIES IN ANY FORM WHATSOEVER IS NOT PERMITTED WITHOUT WRITTEN AUTHORITY FROM THE PROPRIETOR. PROPERTY OF ANYTEK TECHNOLOGY CO., LTD							
TITLE		FW 5.0mm Series 2P-12P		DWG NO.		8FW0001	
PART NO.		FWxx0xxxxxxG		CUST NO.		Tolerance	
APPROVED	CHECKED	DESIGNED	DRAWN			UNIT: mm	X. ±0.50
		Chen Bo 08/05`13	Chen Bo 05/02`12			SCALE: NONE	X.X ±0.30
				SHEET: 01/01		REV.: D	X.XX ±0.10
							X° ±1°