


SIGN	DATE	DESCRIPTION	APPROVER
△	02/11'09	The design changed	Jacke
△	02/11'09	The design changed to revoke	Jacke
△	20010.11.05	The drawing is revised.	Jacke

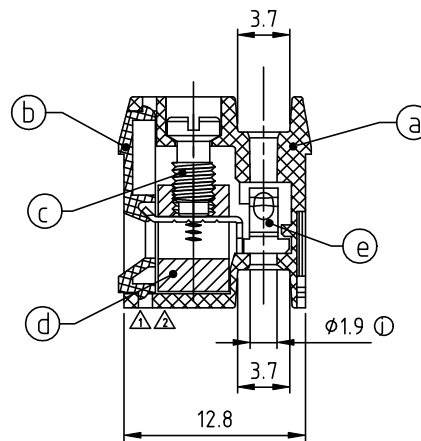
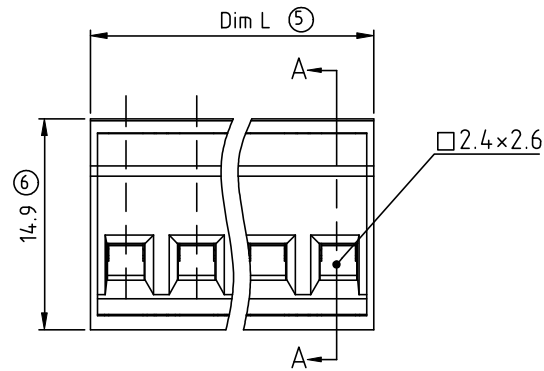
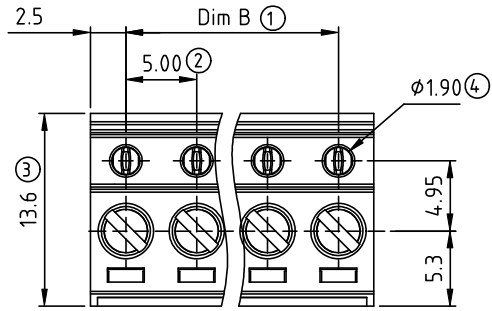
THIS IS CAD DRAWING, DO NOT REVISE MANUALLY!!!

Material

- Item a Terminal housing: Thermoplastic (UL94V-0)
- Item b Terminal cover: Thermoplastic (UL94V-0)
- Item c Terminal screw: Steel Zinc plating "- "type
- Item d Clamp: Brass, Ni plated
- Item e Female contact: PhBz, Tin plated

Electrical

- Voltage rating: 300V
- Current rating: 15A
- Wire range:
- Solid wire(AWG): 12-28
- Stranded wire(AWG): 12-28
- Torque: 4.5Lb-In
- Screw: M3
- Wire strip length: 5-6mm
- Withstanding Voltage: 1.6KV
- Operating temperature: -40°C to +115°C
- Safety Approval: 



SECTION A-A

EO xx 01 x 0 xxxx G		RoHS
02	2 CONTACTS	Pb<40,000ppm
03	3 CONTACTS	0000 Standard @ Logo
...	...	000A Standard ANY Logo
24	24 CONTACTS	Any special item by customer request, please contact sales department.
0	Black (RAL9005)	
2	Red (RAL3001/D)	
3	Orange (RAL2011/P)	
4	Yellow (RAL1018/A)	
5	Green (RAL6018/T)	
6	Blue (RAL5015/A)	
8	Grey (RAL7035/D)	

N=Number of poles
 Dim L=N×5.0
 Dim B=(N-1)×5.0

Poles	02	03	04	05	06	07	08	09	10	11	12	
Dim L	10.00	15.00	20.00	25.00	30.00	35.00	40.00	45.00	50.00	55.00	60.00	
Dim B	5.00	10.00	15.00	20.00	25.00	30.00	35.00	40.00	45.00	50.00	55.00	
TOL	±0.10				±0.15				±0.20			
Poles	13	14	15	16	17	18	19	20	21	22	23	24
Dim L	65.00	70.00	75.00	80.00	85.00	90.00	95.00	100.00	105.00	110.00	115.00	120.00
Dim B	60.00	65.00	70.00	75.00	80.00	85.00	90.00	95.00	100.00	105.00	110.00	115.00
TOL	±0.25				±0.30				±0.40			

Amphenol ANYTEK				CUSTOMER COPY			
ALL RIGHTS RESERVED. REPRODUCTION OR ISSUE TO THIRD PARTIES IN ANY FORM WHATSOEVER IS NOT PERMITTED WITHOUT WRITTEN AUTHORITY FROM THE PROPRIETOR. PROPERTY OF ANYTEK TECHNOLOGY CO., LTD							
TITLE		EO 5.0 series (A type φ1.90mm)					
PART NO.		EOxx01x0xxxxG			DWG NO.		8E0001
APPROVED		CHECKED	DESIGNED	DRAWN	CUST NO.		Tolerance
			Jacke	Jacke			X. ±0.50
			2010.11.05	2009.02.23			X.X ±0.30
							X.XX ±0.10
							X° ±1°
					SHEET: 01/01		REV.: E