



Film Capacitors - Power Electronic Capacitors

Power Electronic Capacitors

Series/Type: MKP DC ULSI HF
Ordering code: B2563xE*
Date: April 2026
Version: 2

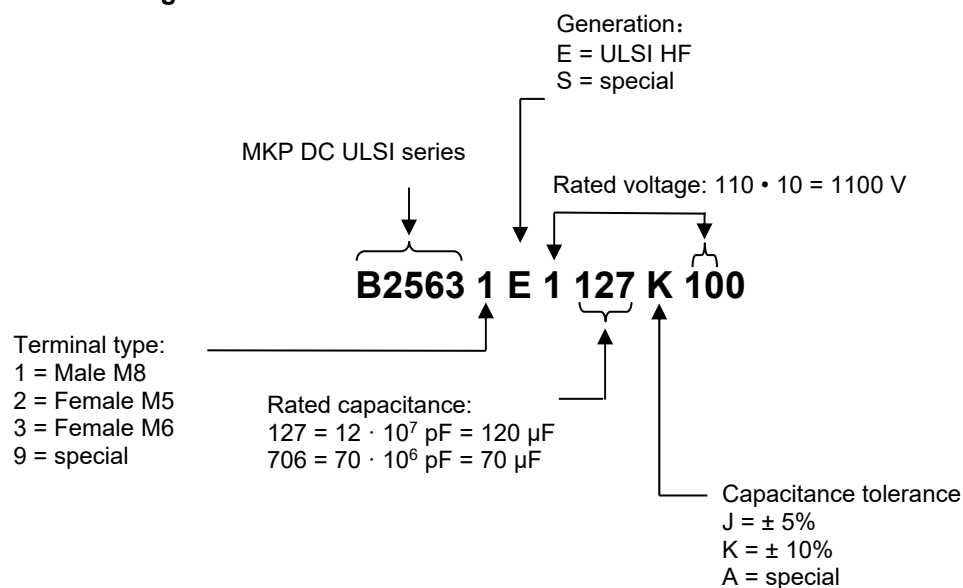
Construction and general data

Characteristics	
Capacitance tolerance	K: $\pm 10\%$
Dielectric dissipation factor ($\tan \delta_o$)	$2 \cdot 10^{-4}$
Service life expectancy $t_{LD (co)}$	100000 h at $T_{hs} +70 \text{ }^\circ\text{C}$ and V_{RDC} Up to 200000 h (Considering deratings in voltage and/or temperature upon request)
Expected Fit rate $\alpha_{FQ (co)}$	100 Fit at V_{RDC} and $70 \text{ }^\circ\text{C}$
Storage temperature T_{stg}	$-40 \dots +85 \text{ }^\circ\text{C}$
Minimum temperature $T_{op,min.}$	$-40 \text{ }^\circ\text{C}$
Maximum temperature $T_{op,max.}$	$+85 \text{ }^\circ\text{C}$
Maximum hotspot temperature T_{hs}	$+85 \text{ }^\circ\text{C}$
Climatic category	40/85/56
Maximum altitude	2000 m above sea level (derating curves for altitudes higher than 2000 pm available upon request)
Safety device	No internal protection
Clearance distance between terminals	28 mm (typical value)
Creepage distance between terminals	35 mm (typical value)

Test data	
Voltage between terminals V_{TT}	$1.5 \cdot V_{RDC}$, 10 s
Dissipation factor $\tan \delta$ (100 Hz)	$\leq 1.0 \cdot 10^{-3}$
Life test	According to IEC 61071-2017
Cooling	Naturally air-cooled (or forced air cooling)
Degree of protection	IP00 (indoor mounting)

Design data	
Resin filling	Non PCB, hard polyurethane (dry type)
Mounting	Lateral brackets
Cooling	Naturally air-cooled (or forced air cooling)
Max. torque terminal	Male M8: 8 Nm Female M5: 2.5 Nm

Reference standards	
IEC 61071-2017, GB/T 17702-2021	
RoHS and CE compliance	
UL 94 V0	

Structure of ordering code

Label information

B25632E1127K100
 120 μF $\pm 10\%$
 V_{RDC} = 1100V
 -40...+85°C IEC 61071
 SH-No PCB Dry Type
 Max. torque of terminals: 2.5Nm
 Discharge before handling
 Made by TDK 10 Z 2022


The label explanation is following:
10 Z 2022: Production in TDK Electronics Zhuhai factory **2022** year, calendar week **10**;

Bar code consists of lot number and serial number:

 Lot number: 9 digits (ex.: **905887304**)

 Serial number: 3 digits (ex.: **001**)

Dimensional drawings

Figure 1: B25631E
- Male M8 terminals

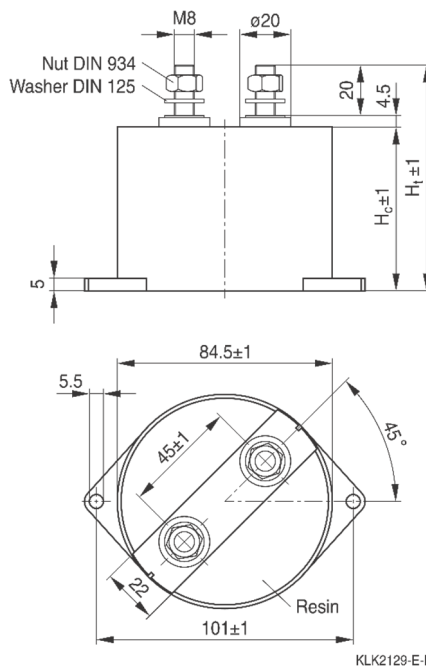
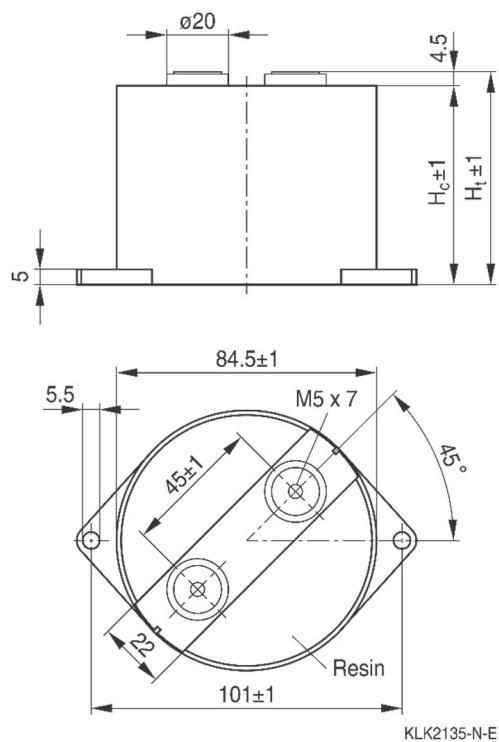


Figure 2: B25632E
- Female M5 terminals



Terms and characteristics

The following definitions apply to power capacitors according to IEC 61071.

Rated capacitance C_R

Nominal value of the capacitance at 20 °C and measuring frequency of 100 Hz.

Rated DC voltage V_{RDC}

Maximum operating peak voltage of either polarity but of a non-reversing type wave form, for which the capacitor has been designed, for continuous operation.

Ripple voltage V_{ripple}

Peak-to-peak alternating component of the unidirectional voltage.

This value must not exceed $0.28 \cdot V_{RDC}$

Maximum surge voltage V_s

Peak voltage induced by a switching or any other disturbance of the system which is allowed for a limited number of times and short period.

Insulation voltage V_i

RMS rated value of the insulation voltage of capacitive elements and terminals to case or earth. When it is not specified in the product data sheet, the insulation voltage is at least:

$$V_i = \frac{V_{RDC}}{\sqrt{2}}$$

AC voltage test between terminals and case V_{TC}

Units having all terminals insulated from the container shall be subjected for 10 s to a voltage applied between the terminals (joined together) and the container.

Maximum rate of voltage rise $(dv/dt)_{max}$

Maximum permissible repetitive rate of voltage rise of the operational voltage.

Maximum current I_{max}

Maximum RMS current for continuous operation for the given frequency range and for the maximum ripple voltage. Please provide Frequency Spectrum of RMS current to your sales contact.

Maximum peak current \hat{I}

Maximum permissible repetitive current amplitude during continuous operation.

Maximum peak current (\hat{I}) and maximum rate of voltage rise $(dv/dt)_{max}$ on a capacitor are related as follows:

$$\hat{I} = C \cdot (dv/dt)_{max}$$

Maximum surge current \hat{I}_s

Admissible peak current induced by a switching or any other disturbance of the system which is allowed for a limited number of times and short period.

$$\hat{I}_s = C \cdot (dv/dt)_s$$

Ambient temperature T_A

Temperature of the surrounding air, measured at 10 cm distance and 2/3 of the case height of the capacitor.

Lowest operating temperature $T_{op,min}$

Lowest permitted ambient temperature at which a capacitor may be energized.

Maximum operating temperature $T_{op,max}$

Highest permitted capacitor temperature during operation, i.e. temperature at the hottest point of the case.

Hot-spot temperature T_{hs}

Temperature zone inside of the capacitor at hottest spot.

$$T_{hs} = T_A + I_{RMS}^2 \cdot ESR \cdot R_{th}$$

Tangent of the loss angle of a capacitor $\tan \delta$

Ratio between the equivalent series resistance and the capacitive reactance of a capacitor at a specified sinusoidal alternating voltage, frequency and temperature.

Series resistance R_s

The sum of all ohmic resistances occurring inside the capacitor.

ESR

ESR (Equivalent Series Resistance) which if connected in series with an ideal capacitor of capacitance value equal to that of the capacitor in question, would have a power loss equal to active power dissipated in that capacitor under specified operating conditions.

$$ESR = \frac{\tan \delta}{\omega \cdot C} = R_s + \frac{\tan \delta_0}{\omega \cdot C}$$

Thermal resistance R_{th}

The thermal resistance indicates by how many degrees the capacitor temperature at the hot spot rises in relation to the dissipation losses.

Maximum power loss P_{max}

Maximum permissible power dissipation for the capacitor's operation.

$$P_{max} = \frac{T_{hs} - T_A}{R_{th}}$$

Self inductance L_{self}

The sum of all inductive elements which are contained in a capacitor.

Resonance frequency f_r

The lowest frequency at which the impedance of the capacitor becomes minimum.

$$f_r = \frac{1}{2\pi \cdot \sqrt{L_{self} \cdot C_R}}$$

V _{RDC}	C _R μF	I _{max} ¹ A	I _h kA	I _s kA	ESR ² mΩ	L _{self} nH	f _r kHz	R _{th} K/W	H _c mm	H _t mm	Weight ³ kg	Ordering code
600	180	55	1.4	4.2	0.9	13	104	6.8	50	54.5	0.39	B25632E0187K600
	180	55	1.4	4.2	0.9	13	104	6.8	50	74.5	0.42	B25631E0187K600
	270	60	1.4	4.2	1.2	15	79	4.5	65	69.5	0.46	B25632E0277K600
	270	60	1.4	4.2	1.2	15	79	4.5	65	89.5	0.49	B25631E0277K600
700	140	55	1.5	4.6	0.9	13	118	6.8	50	54.5	0.39	B25632E0147K700
	210	60	1.5	4.6	1.2	15	90	4.5	65	69.5	0.46	B25632E0217K700
800	110	55	2.1	6.2	1.0	13	133	6.8	50	54.5	0.39	B25632E0117K800
	110	55	2.1	6.2	1.0	13	133	6.8	50	74.5	0.42	B25631E0117K800
	160	60	2.0	5.9	1.3	15	103	4.5	65	69.5	0.46	B25632E0167K800
	160	60	2.0	5.9	1.3	15	103	4.5	65	89.5	0.49	B25631E0167K800
900	90	55	2.5	7.5	1.0	13	147	6.8	50	54.5	0.39	B25632E0906K900
	130	60	2.4	7.2	1.3	15	114	4.5	65	69.5	0.46	B25632E0137K900
1000	110	50	2.1	6.2	1.2	13	133	6.8	50	54.5	0.39	B25632E1117K000
	110	50	2.1	6.2	1.2	13	133	6.8	50	74.5	0.42	B25631E1117K000
	160	55	2.0	5.9	1.4	15	103	4.5	65	69.5	0.46	B25632E1167K000
	160	55	2.0	5.9	1.4	15	103	4.5	65	89.5	0.49	B25631E1167K000
1100	72	50	2.2	6.6	1.1	13	165	6.8	50	54.5	0.39	B25632E1726K100
	110	55	2.2	6.7	1.4	15	124	4.5	65	69.5	0.46	B25632E1117K100
1200	55	50	2.0	6.1	1.3	13	188	6.8	50	54.5	0.39	B25632E1556K200
	85	55	2.0	6.0	1.6	15	141	4.5	65	69.5	0.46	B25632E1856K200
1300	48	50	1.9	5.8	1.4	13	201	6.8	50	54.5	0.39	B25632E1486K300
	75	55	1.9	5.8	1.7	15	150	4.5	65	69.5	0.46	B25632E1756K300
1400	40	50	1.7	5.2	1.5	13	221	6.8	50	54.5	0.39	B25632E1406K400*
	65	55	1.8	5.4	1.7	15	161	4.5	65	69.5	0.46	B25632E1656K400*
1500	36	45	1.7	5.0	1.6	13	233	6.8	50	54.5	0.39	B25632E1366K500*
	56	50	1.7	5.0	1.9	15	174	4.5	65	69.5	0.46	B25632E1566K500*
1600	30	45	1.5	4.4	1.7	13	255	6.8	50	54.5	0.39	B25632E1306K600*
	48	50	1.5	4.5	2.3	15	188	4.5	65	69.5	0.46	B25632E1486K600*
2000	20	40	1.2	3.7	1.8	13	312	6.8	50	54.5	0.39	B25632E2206K000*
	30	45	1.2	3.5	2.5	15	237	4.5	65	69.5	0.46	B25632E2306K000*

¹ I_{max} at ambient temperature 55 °C

² ESR at 10 kHz (typical value)

³ Weight is typical value

Other configurations and capacitance tolerances available upon request

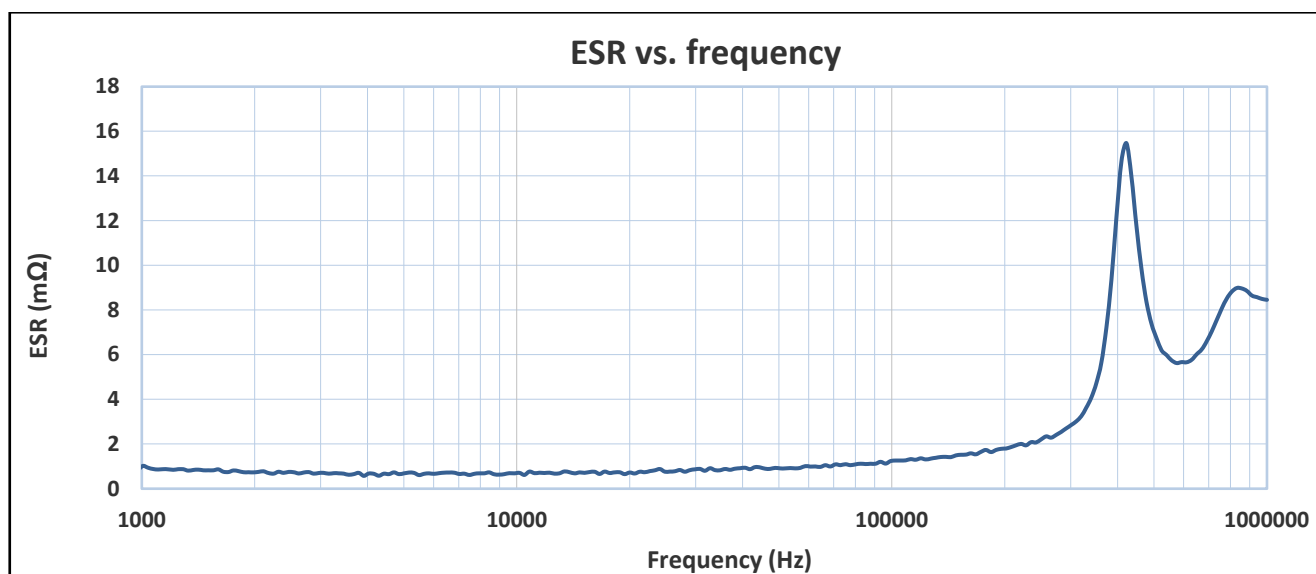
*** This ordering code is affected by "Dual Use" regulations according to Export Control law. Deliveries of such products are subject to prior approval by Export Control authorities based on customer declarations. The delivery to certain countries might be restricted.**

Display of ordering codes for TDK Electronics products

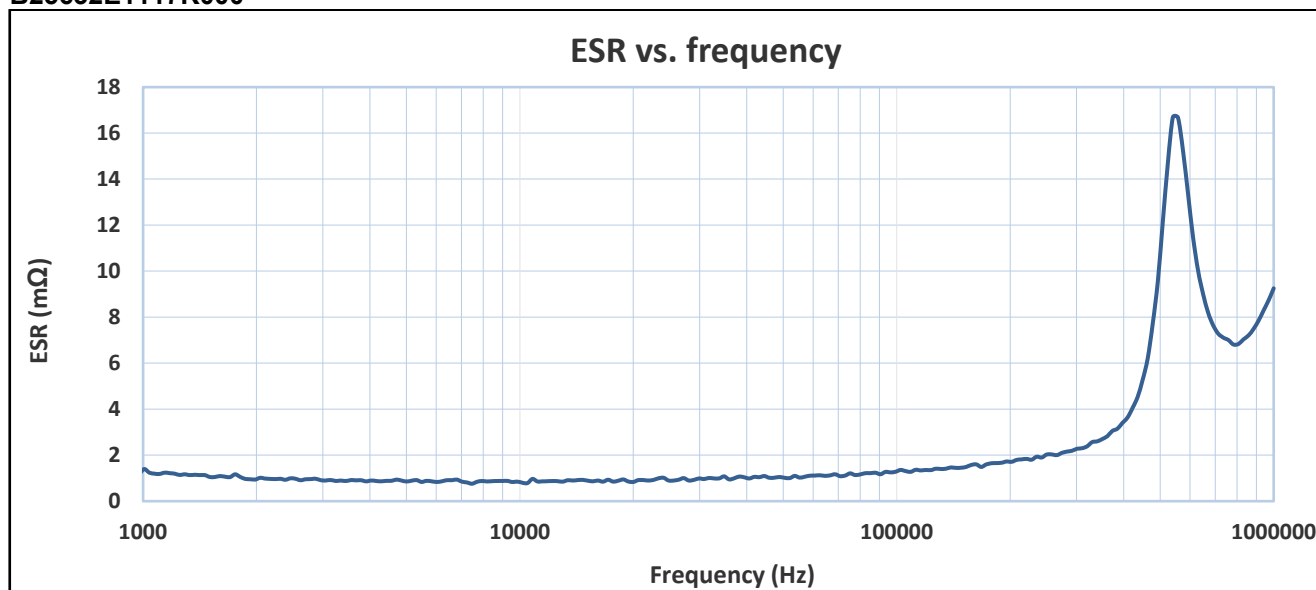
The ordering code for one and the same product can be represented differently in data sheets, data books, other publications, on the company website, or in order-related documents such as shipping notes, order confirmations and product labels. **The varying representations of the ordering codes are due to different processes employed and do not affect the specifications of the respective products.** Detailed information can be found on the Internet under www.tdk-electronics.tdk.com/orderingcodes.

Typical ESR vs. frequency curves

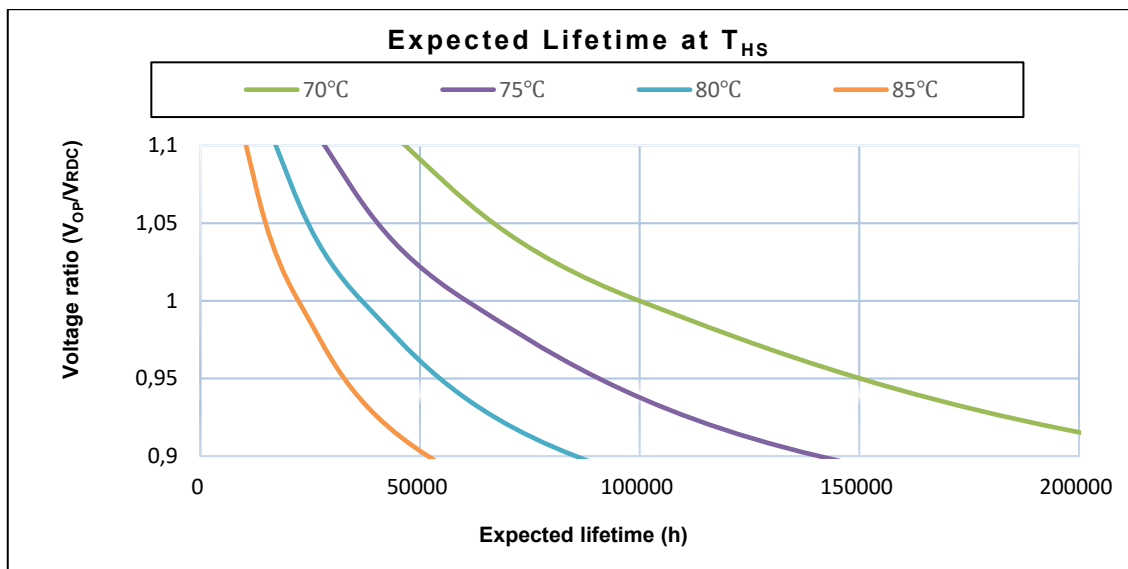
B25631E0187K600



B25632E1117K000



Service life expectancy

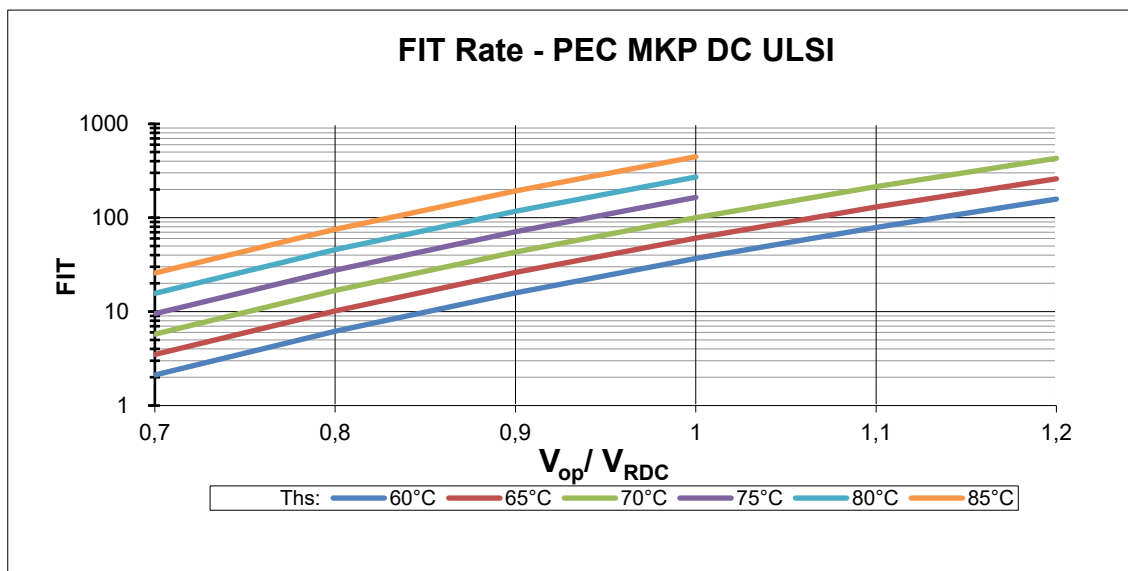


Service life t_{LD} at different hotspot temperature (T_{hs}) and V_{OP}

Failure criteria is capacitance drop higher than 3%.

Lifetime estimations are typical theoretical values derived from lifetime tests based on TDK internal standards or mutually agreed test methods and are intended for guidance purposes only. The useful life does not constitute a warranty of any kind or a prolongation of the agreed warranty period.

4.Expected failure rate



Expected fit rate at different hot spot temperatures (T_{hs}) and voltage V_{RDC}

The FIT (Failure In Time) of a component is defined as the number of expected failures in 10^9 hours of operation. The FIT rate is calculated on the basis of the number of components operating in the field and the estimated hours of operation. All the reports of failures are taken into consideration for this calculation, which is updated every year.

The other values in the graph are given as indication and calculated based on acceleration factors.

Cautions and warnings

- In case of dents of more than 1 mm depth or any other mechanical damage, capacitors must not be used at all.
- The energy stored in capacitors may be lethal. To prevent any chance of shock, discharge and short-circuit the capacitor before handling.
- Failure to follow cautions may result, worst case, in premature failures, bursting and fire.
- Protect the capacitor properly against over current and short circuit.
- TDK Electronics is not responsible for any kind of possible damages to persons or things due to improper installation and application of capacitors for power electronics.

General safety notes for installation and operation

Electrical or mechanical misapplication of capacitors may be hazardous. Personal injury or property damage may result from bursting of the capacitor or from expulsion melted material due to mechanical disruption of the capacitor.

- Observe appropriate safety precautions during operation (self-recharging phenomena and the high energy contained in capacitors).
- Handle capacitors carefully, because they may still be charged even after disconnection.
- The terminals of capacitors, connected bus bars and cables as well as other devices may also be energized.
- Follow good engineering practice.

Thermal load

After installation of the capacitor it is necessary to verify that maximum hot-spot temperature is not exceeded at extreme service conditions.

Installation

Capacitors must be installed in a cool and well ventilated place, and not close to objects that radiate heat, or in the direct sunlight. Within high-power inverter systems the capacitors usually produce the smallest portion of the total losses, and the permissible operating temperatures are low compared to power semiconductors, reactors and resistors. So, the distance between capacitor and heating sources must be large enough to avoid the capacitor overheating. In case of space constraint to make the best possible use of capacitors, technically and economically, it is advisable to supply forced cooling air.

Mechanical protection

The capacitor has to be installed in a way that mechanical damages and dents in the case are avoided.

Connecting

Ensure firm fixing of terminals, fixing torque to be applied as per individual specification. In any case, the maximum specified terminal current may not be exceeded. Please refer to the technical data of the specific series.

Maintenance

Disregarding the following measures may result in severe operation failures, bursting and fire:

- Check tightness of the connections/terminals periodically, two weeks after installation at the latest, and then once every 6 months.
- Clean the terminals/bushings periodically to avoid short circuits due dust or other contamination.
- Take current reading twice a year and compare with nominal current. Use a harmonic analyser or true effective RMS-meter.
- In case of a current above the nominal current check your application for modification.
- Check the temperature of energized capacitors. In case of excessive temperature of individual capacitors, it is recommended to replace this capacitor, as this could be an indication for loss factor increase, which is a sign for reaching end of life.
- When power capacitors are used, suitable measures must always be taken to eliminate possible danger to humans, animals and property both during operation and when a failure occurs. This applies to capacitors both with and without protective devices. Regular inspection and maintenance by a competent person is therefore essential.

Storage and operating conditions

Do not use or store capacitors in corrosive atmosphere, especially where chloride gas, sulfide gas, acid, alkali, salt or the like are present. In dusty environments regular maintenance and cleaning especially of the terminals is required to avoid conductive path between phases and/or phases and ground.

Service life expectancy

Electrical components do not have an unlimited service life expectancy; this applies to self-healing capacitors, too. The maximum service life expectancy may vary depending on the application the capacitor is used in.

Handling

Discharge and short circuit the capacitor before handling! When handling the capacitor, do not take the capacitor from the terminal. This can cause accident in case the capacitor is charged, terminal break and capacitance loss due to capacitor is heavy.

Important notes

The following applies to all products named in this publication:

1. Some parts of this publication contain **statements about the suitability of our products for certain areas of application**. These statements are based on our knowledge of typical requirements that are often placed on our products in the areas of application concerned. We nevertheless expressly point out **that such statements cannot be regarded as binding statements about the suitability of our products for a particular customer application**. As a rule we are either unfamiliar with individual customer applications or less familiar with them than the customers themselves. For these reasons, it is always ultimately incumbent on the customer to check and decide whether a product with the properties described in the product specification is suitable for use in a particular customer application.
2. We also point out that **in individual cases, a malfunction of electronic components or failure before the end of their usual service life cannot be completely ruled out in the current state of the art, even if they are operated as specified**. In customer applications requiring a very high level of operational safety and especially in customer applications in which the malfunction or failure of an electronic component could endanger human life or health (e.g. in accident prevention or life-saving systems), it must therefore be ensured by means of suitable design of the customer application or other action taken by the customer (e.g. installation of protective circuitry or redundancy) that no injury or damage is sustained by third parties in the event of malfunction or failure of an electronic component.
3. **The warnings, cautions and product-specific notes must be observed.**
4. In order to satisfy certain technical requirements, **some of the products described in this publication may contain substances subject to restrictions in certain jurisdictions (e.g. because they are classed as hazardous)**. Useful information on this will be found in our Material Data Sheets on the Internet (www.tdk-electronics.tdk.com/material). Should you have any more detailed questions, please contact our sales offices.
5. We constantly strive to improve our products. Consequently, **the products described in this publication may change from time to time**. The same is true of the corresponding product specifications. Please check therefore to what extent product descriptions and specifications contained in this publication are still applicable before or when you place an order.

We also **reserve the right to discontinue production and delivery of products**. Consequently, we cannot guarantee that all products named in this publication will always be available. The aforementioned does not apply in the case of individual agreements deviating from the foregoing for customer-specific products.

6. Unless otherwise agreed in individual contracts, **all orders are subject to our General Terms and Conditions of Supply**.
7. **Our manufacturing sites serving the automotive business apply the IATF 16949 standard**. The IATF certifications confirm our compliance with requirements regarding the quality management system in the automotive industry. Referring to customer requirements and customer specific requirements ("CSR") TDK always has and will continue to have the policy of respecting individual agreements. Even if IATF 16949 may appear to support the acceptance of unilateral requirements, we hereby like to emphasize that **only requirements mutually agreed upon can and will be implemented in our Quality Management System**. For clarification purposes we like to point out that obligations from IATF 16949 shall only become legally binding if individually agreed upon.

Important notes

8. The trade names EPCOS, CarXield, CeraCharge, CeraDiode, CeraLink, CeraPad, CeraPlas, CSMP, CTVS, DeltaCap, DigiSiMic, FilterCap, FormFit, InsuGate, LeaXield, MediPlas, MiniBlue, MiniCell, MKD, MKK, ModCap, MotorCap, PCC, PhaseCap, PhaseCube, PhaseMod, PhiCap, PiezoBrush, PlasmaBrush, PowerHap, PQSine, PQvar, SIFERRIT, SIFI, SIKOREL, SilverCap, SIMDAD, SiMic, SIMID, SineFormer, SIOV, SurfIND, ThermoFuse, WindCap, XieldCap are **trademarks registered or pending** in Europe and in other countries. Further information will be found on the Internet at www.tdk-electronics.tdk.com/trademarks.

Release 2024-02