



<b>Product/Process Change Notice (PCN)</b>				
<input checked="" type="checkbox"/> Major Change <input type="checkbox"/> Minor Change				
<b>PCN Number:</b> PCN_TBL PCB H. 5.08 mm_20260501  <b>Affected Series:</b> WR-TBL  <b>Affected Part Number:</b> see table below  <b>PCN Date:</b> 2026-02-02 (YYYY-MM-DD) <b>Effective Date:</b> 2026-05-01 (YYYY-MM-DD)	<b>Change Category:</b> <input type="checkbox"/> Equipment/Location <input type="checkbox"/> General Data <input type="checkbox"/> Material <input type="checkbox"/> Process <input checked="" type="checkbox"/> Product Design <input type="checkbox"/> Shipping/Packaging <input type="checkbox"/> Supplier <input type="checkbox"/> Software			
<b>Contact:</b> Product Management <b>Phone:</b> +49 (0) 7942 - 945 5001 <b>Fax:</b> +49 (0) 7942 - 945 5179 <b>E-Mail:</b> pcn.eican@we-online.com	<b>Datasheet Change:</b> <input checked="" type="checkbox"/> Yes <input type="checkbox"/> No  <b>Attachment:</b> <input checked="" type="checkbox"/> Yes <input type="checkbox"/> No			
<b>DESCRIPTION OF CHANGE:</b> To improve the processability, Würth Elektronik eiSos will change the production site of WR-TBL series mentioned. This implies changes in design, tolerances, layout recommendations. Aesthetics changes may occurred but it does not have an impact on product functionality.  There will be no change in fit, function, quality.  The new revision of the affected order codes will be sent out after the previous revision is out of stock (according to FIFO - first-in, first-out). The preliminary datasheets of the affected part numbers which are available in the online catalogue will be available on the website after the PCN date. Link to the website: <a href="#">WR-TBL</a>				
Affected part numbers:				
<b>6913117000xx</b>				
691311700002	691311700003	691311700004	691311700005	691311700006
691311700007	691311700008	691311700009	691311700010	691311700011
691311700012	691311700013	691311700014	691311700015	691311700016
691311700017	691311700018	691311700019	691311700020	691311700021
691311700022	691311700023	691311700024		



<b>6913117001xx</b>				
691311700102	691311700103	691311700104	691311700105	691311700106
691311700107	691311700108	691311700109	691311700110	691311700111
691311700112	691311700113	691311700114	691311700115	691311700116
691311700117	691311700118	691311700119	691311700120	691311700121
691311700122	691311700123	691311700124		
<b>6913127100xx</b>				
691312710002	691312710003	691312710004	691312710005	691312710006
691312710007	691312710008	691312710009	691312710010	691312710011
691312710012	691312710013	691312710014	691312710015	691312710016
691312710017	691312710018	691312710019	691312710020	691312710021
691312710022	691312710023	691312710024		
<b>6913137100xx</b>				
691313710002	691313710003	691313710004	691313710005	691313710006
691313710007	691313710008	691313710009	691313710010	691313710011
691313710012	691313710013	691313710014	691313710015	691313710016
691313710017	691313710018	691313710019	691313710020	691313710021
691313710022	691313710023	691313710024	691313712303	691313712304
691313717719	691313717819			
<b>6913177100xx</b>				
691317710002	691317710003	691317710004	691317710005	691317710006
691317710007	691317710008	691317710009	691317710010	691317710011
691317710012	691317710013	691317710014	691317710015	691317710016
691317710017	691317710018	691317710019	691317710020	691317710021
691317710022	691317710023	691317710024		
<b>6913187000xx</b>				
691318700002	691318700003	691318700004	691318700005	691318700006
691318700007	691318700008	691318700009	691318700010	691318700011
691318700012	691318700013	691318700014	691318700015	691318700016
691318700017	691318700018	691318700019	691318700020	691318700021
691318700022	691318700023	691318700024		

**DETAILS OF CHANGE:**

Production Line Change

The production line can be identified by the first three digits of the lot number: **XXX** XXX XXX XXX XXX

Previous production line:	New production line:
Lot number: <b>222</b> XXX XXX XXX XXX	Lot number: <b>653</b> XXX XXX XXX XXX
Country of origin on Delivery Note: China	Country of origin on Delivery Note: China

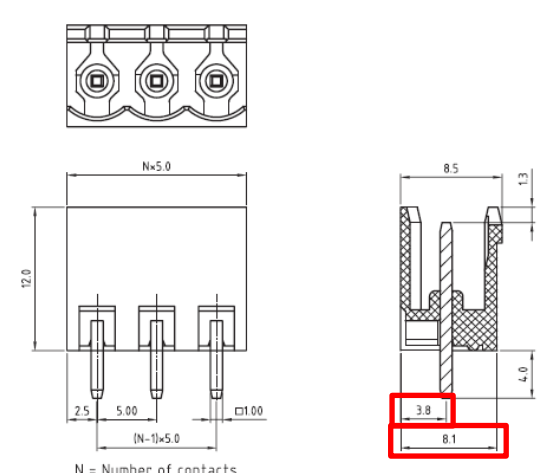
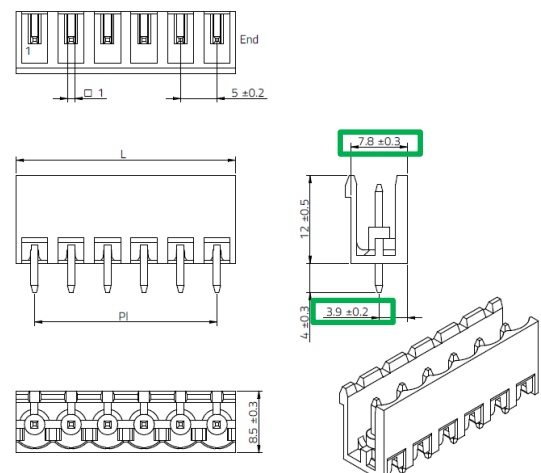
**1. Specifications**

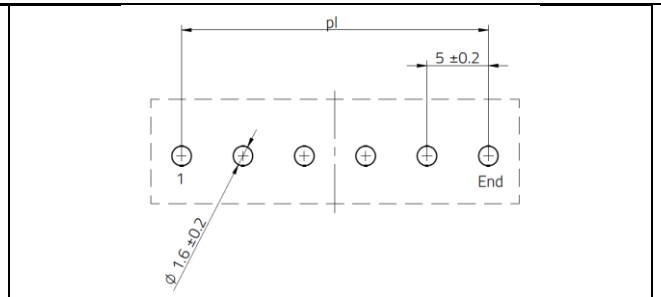
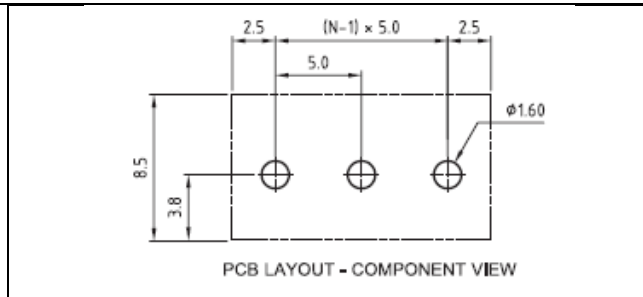
	Rated current UL (A)	Working Voltage UL (V)	Withstandin g Voltage UL (V)	Contact resistance (mΩ) UL	Rated current VDE (A)	Working Voltage VDE (V)	Withstandin g Voltage VDE (V)	Contact resistance (mΩ) VDE
<b>BEFORE</b>	20	300	1600	20	20	300	2500	20
<b>AFTER</b>	15	300	1600	20	15	320	2200	20

	VDE Certificate
<b>BEFORE</b>	40023195 / 40023402
<b>AFTER</b>	40061301

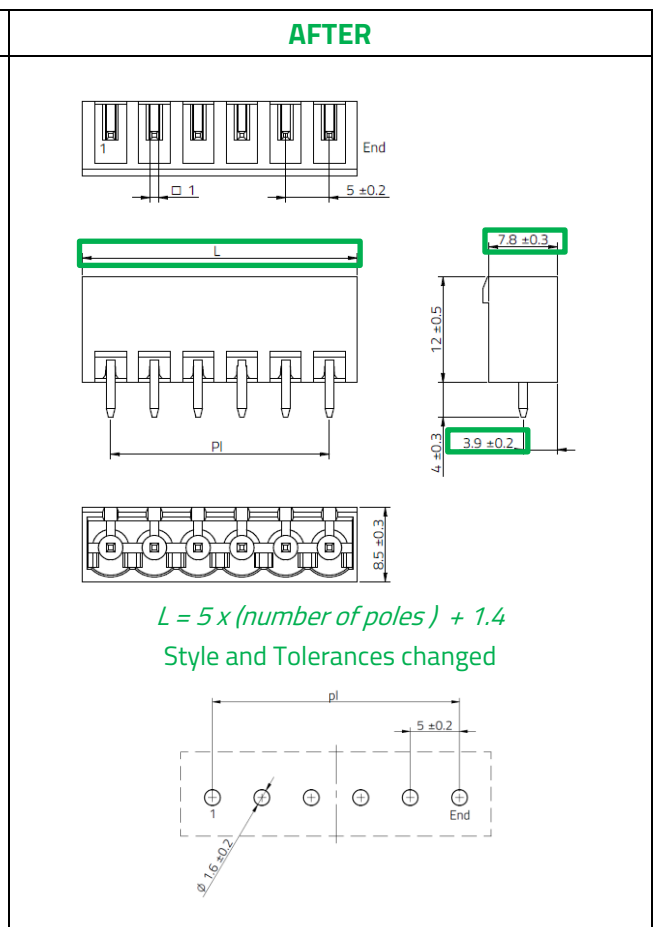
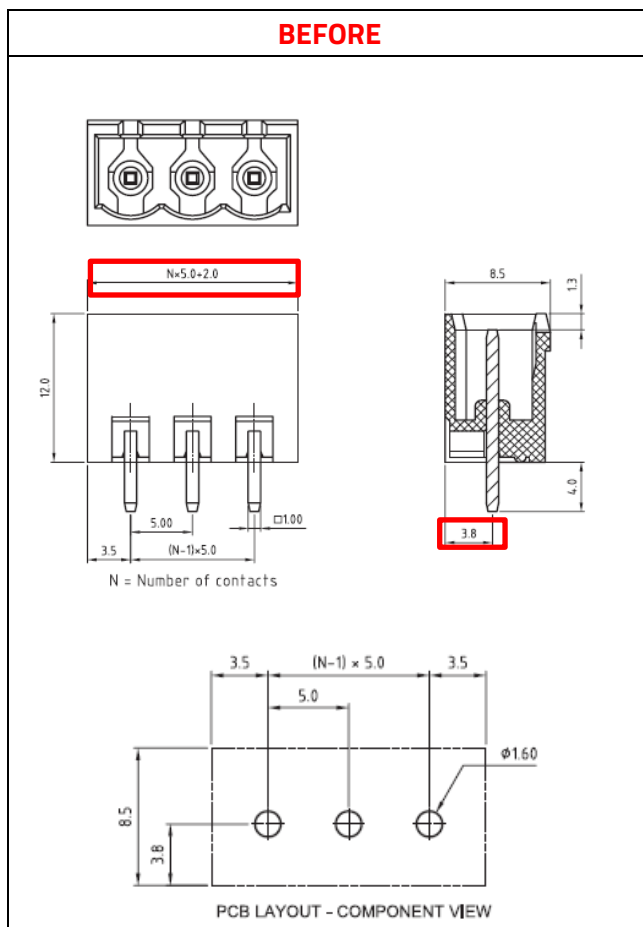
**2. Design Changes**

a. 6913117000xx

<b>BEFORE</b>	<b>AFTER</b>
 <p>N = Number of contacts</p>	 <p style="color: green;">Style and Tolerances changed</p>

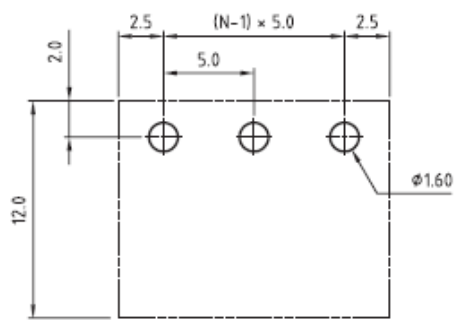
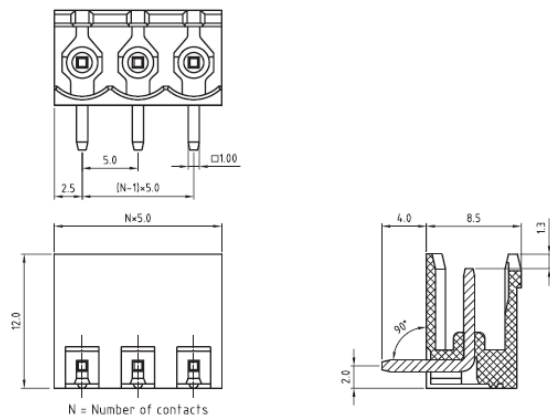


b. 6913117001xx



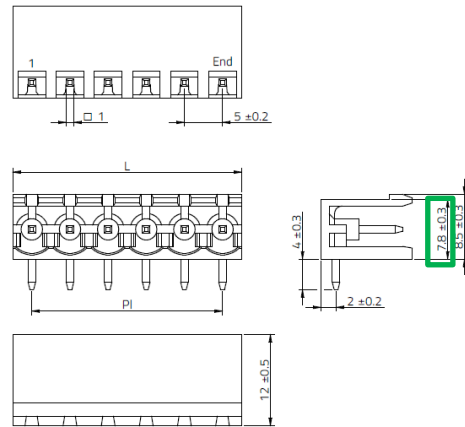
c. 6913127100xx

**BEFORE**

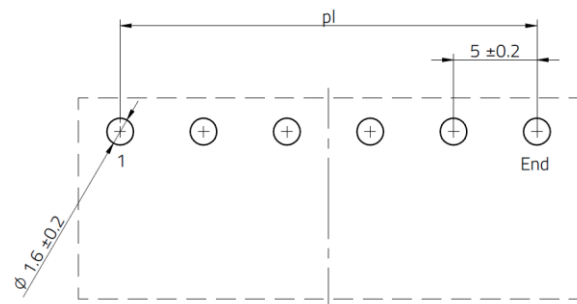


PCB LAYOUT - COMPONENT VIEW

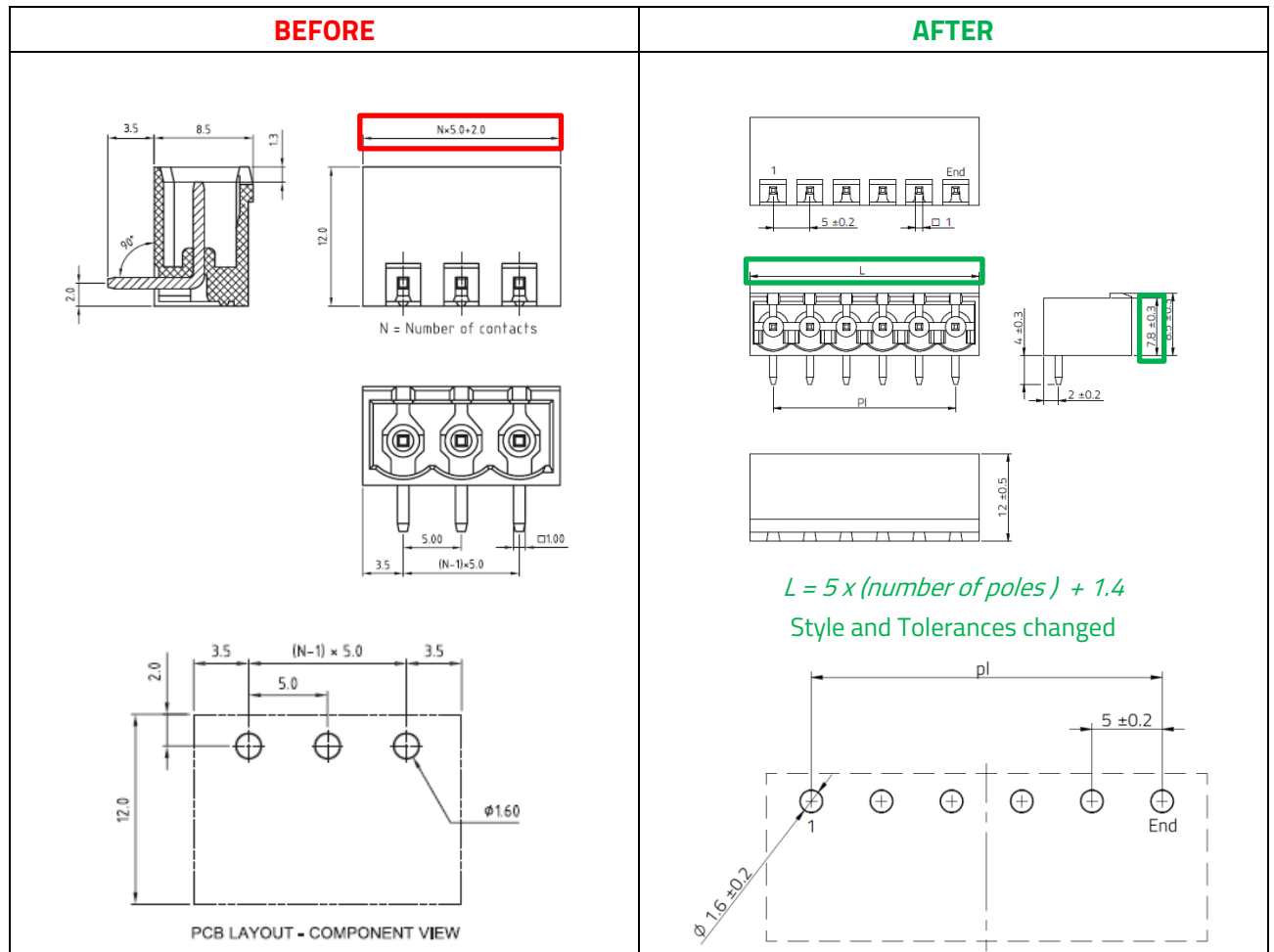
**AFTER**



Style and Tolerances changed

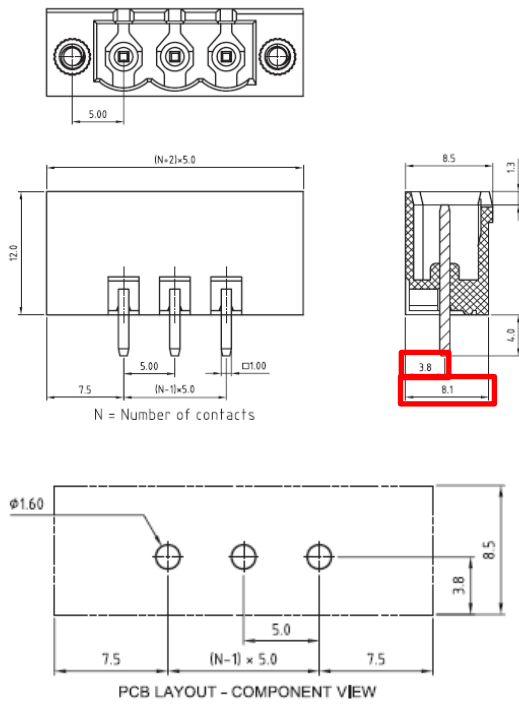


d. 6913137100xx

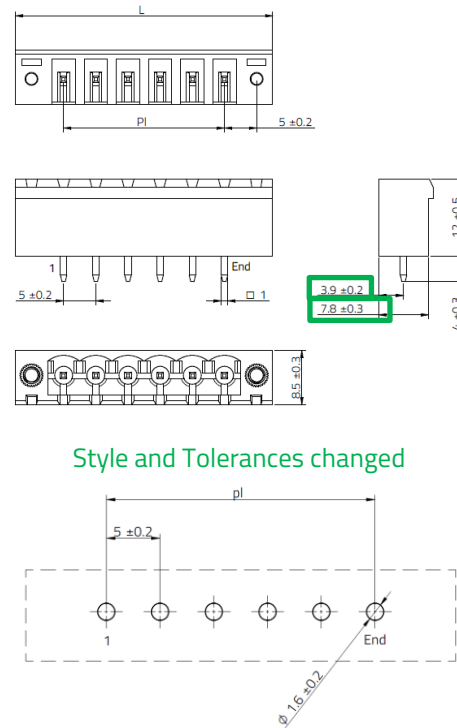


e. 6913187000xx

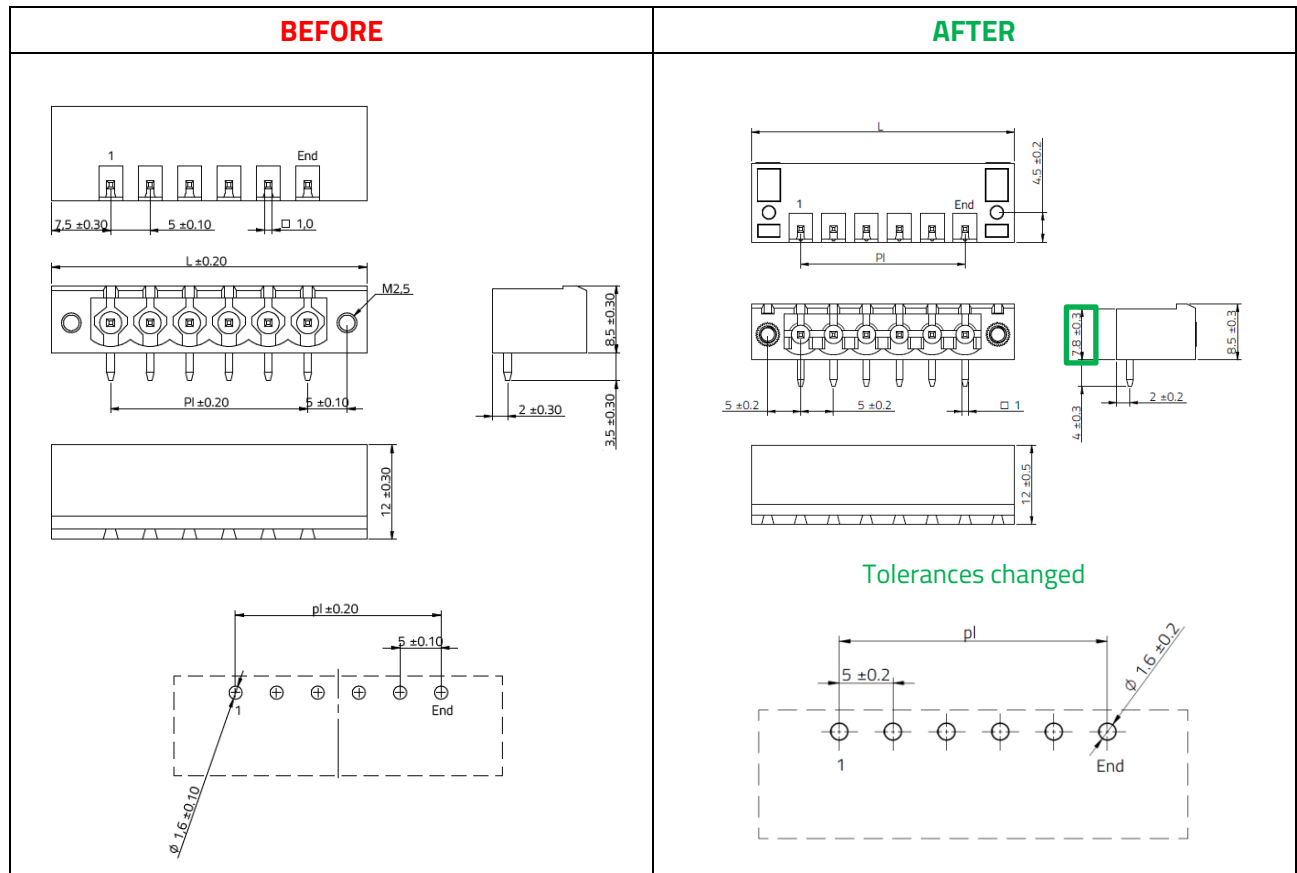
**BEFORE**



**AFTER**



f. 6913177100xx



**RELIABILITY / QUALIFICATION OF CHANGE:**

Product approval is according to the specification criteria and is internally released by the Product Management Department.

Please find the updated reliability reports attached.