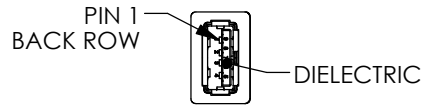
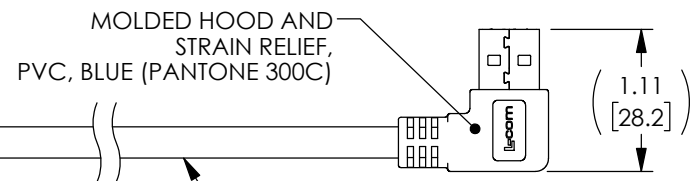
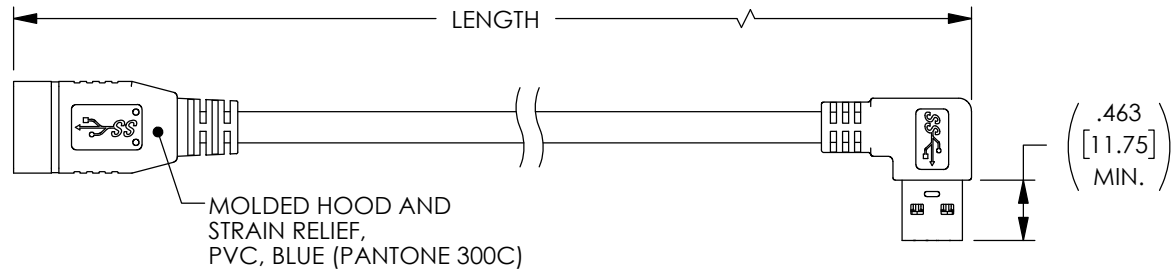


THE INFORMATION CONTAINED IN THIS DRAWING IS THE SOLE PROPERTY OF L-COM, INC. ANY REPRODUCTION IN PART OR WHOLE WITHOUT THE WRITTEN PERMISSION OF L-COM, INC. IS PROHIBITED.

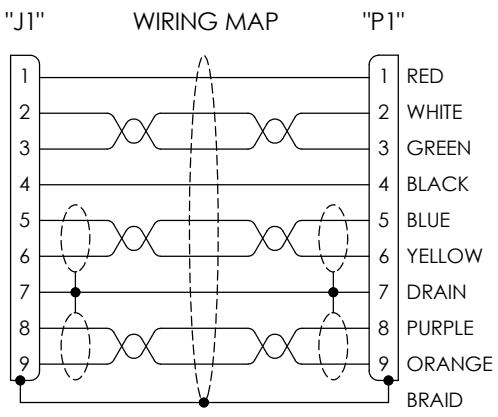
REVISIONS			
REV	DESCRIPTION	DATE	APPROVED
A	REV A DRAWING RELEASED	08/13/2018	SLJ



"J1"  
USB 3.0 SERIES "A" JACK  
CONTACTS 30μ GOLD



UL STYLE 2725,  
(2) TWISTED PAIR, 26AWG WITH  
ALUM/POLY FOIL SHIELD AND DRAIN WIRE,  
(1) UNSHIELDED TWISTED PAIR, 28AWG,  
(2) CONDUCTORS, 22AWG,  
OVERALL ALUMINUM/MYLAR AND BRAIDED SHIELD,  
JACKET: PVC, BLUE (PANTONE 300C)  
(NOM DIA. .244" [6.2])



PART NUMBER	LENGTH METERS [FEET]
U3A00067-2M	2.0 [6.56]
U3A00067-3M	3.0 [9.84]

NOTES:

1. CABLE ASSEMBLY SHALL HAVE 360° SHIELD TERMINATION.
2. CABLE ASSEMBLY MUST MEET USB 3.0 REQUIREMENTS.
3. CABLE ASSEMBLY SHALL BE TESTED FOR CONTINUITY.
4. CABLE ASSEMBLY SHALL BE INDIVIDUALLY PACKAGED IN ACCORDANCE WITH L-COM SPECIFICATION PS-0031.

**REGULATORY COMPLIANCE:**  
CE2011/65/EU(RoHS DIRECTIVE)

UNLESS OTHERWISE SPECIFIED, DIMENSIONS ARE IN INCHES [mm] OVERALL CABLE LENGTH TOLERANCE: ≤12 [305] = +1 [25] / -0 >12 [305] ≤60 [1524] = +2 [51] / -0 >60 [1524] ≤120 [3048] = +4 [102] / -0 >120 [3048] ≤300 [7620] = +6 [152] / -0 >300 [7620] = +5% / -0% ALL OTHER DIMENSIONAL TOLERANCES: .X = ±.2 [5.08] .XX = ±.02 [5.1] .XXX = ±.005 [1.3]	APPROVALS	DATE		50 HIGH STREET NORTH ANDOVER, MA 01845
	DRAWN BY CN_Seven_Li	07/20/2017		CATEGORY
PROJECTION 	CONFIGURATION DETAILS OF UNDIMENSIONED FEATURES MAY VARY	COLOR VARIATIONS MAY OCCUR	PRODUCT DESCRIPTION	CA, USB3.0 A-F/90RT A-M 26/22AWG
SIZE <b>A</b>	FSCM NO. <b>43321</b>	DWG. NO. <b>U3A00067</b>	REV. <b>A</b>	SCALE: NONE   CAD FILE: U3A00067.SLDDRW   SHEET 1 OF 1