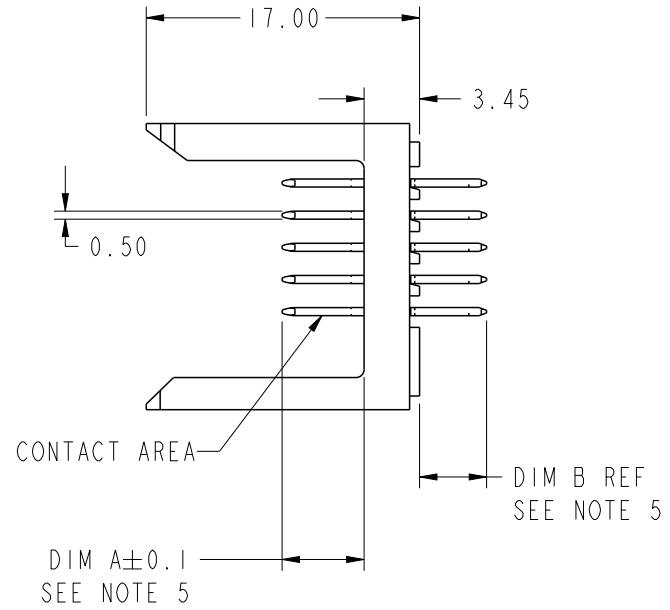
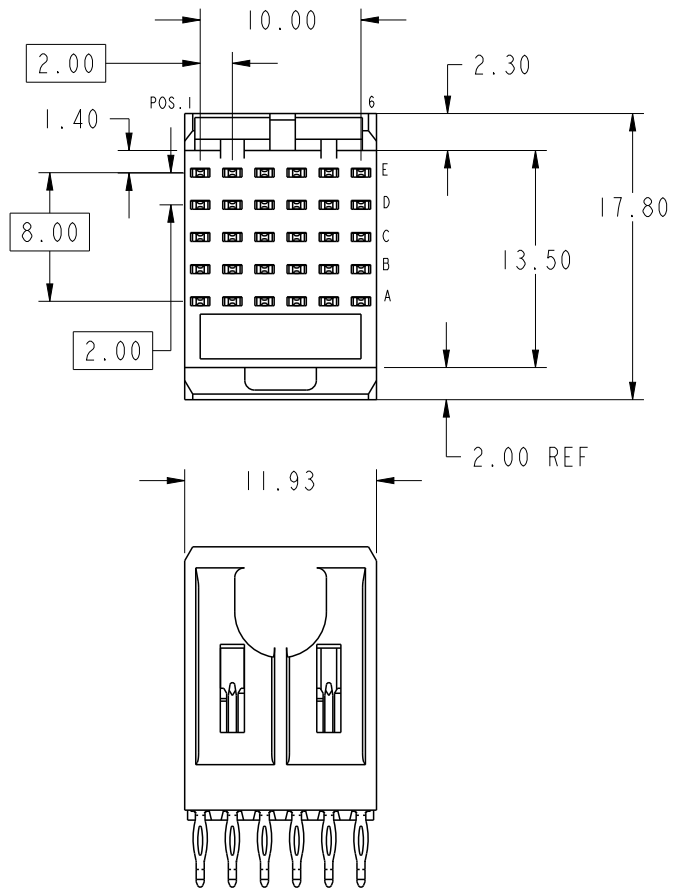
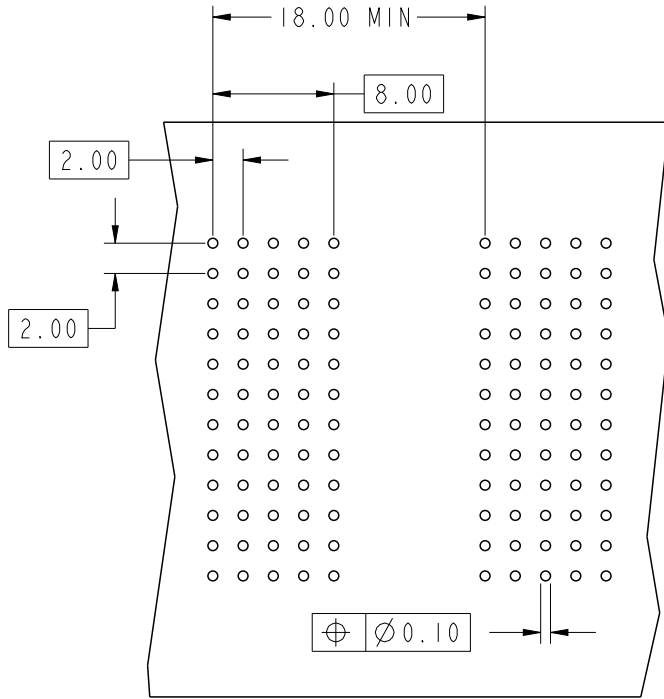


PRODUCT NUMBER

89006-XYLFF



spec ref *		dr Terran Huang 2010/07/09		projection 	mm 	size A4	scale 2:1
tolerance std ISO 406 ISO 1101		eng Narayanan, Aru 2020/11/11				ecn no ELX-I-38926-1	
TOLERANCES UNLESS OTHERWISE SPECIFIED		chr -				rel level Released	
surface 3.200 ✓		appr Kuriakose, San 2020/11/12		product family METRAL		rev	
ISO 1302		www.fci.com		title METRAL SIGNAL HEADER		89006	
angular 0° ±2°		cat. no. -		I MOD, 5 ROW PRESS-FIT		BP	
Product - Customer Drw				sheet 1 of 10			



REQUIRED PC BOARD LAYOUT
COMPONENT SIDE
SEE PRINT 58351 FOR
ADDITIONAL PCB INFORMATION

KEY		
CODE	DIMENSIONS	
	DIM "A" MATE	DIM "B" TAIL
1	5.00	4.30
2	5.75	4.30
3	6.50	4.30
4	7.25	4.30
5	5.00	13.60
6	5.75	13.60
7	6.50	13.60
8	7.25	13.60
9	5.00	17.00
10	5.75	17.00
11	6.50	17.00
12	7.25	17.00
13	8.25	4.30
14	8.25	13.60
15	8.25	17.00
16	7.00	4.30
17	7.00	13.60
18	7.00	17.00
19	8.00	4.30
20	8.00	13.60
21	8.00	17.00
59	5.00	11.80

spec ref	*	dr	Terran Huang	2010/07/09	projection	mm	size	A4	scale	2:1	
tolerance std	TOLERANCES UNLESS OTHERWISE SPECIFIED	eng	Narayanan, Aru	2020/11/11			←→	ecn no	ELX-I-38926-1		
ISO 406 ISO 1101		chr	-	-				product family	METRAL	rel level	Released
surface	3.200	appr	Kuriakose, San	2020/11/12	product family		METRAL	rel level	Released		
ISO 1302	angular	0°	±2°	www.fci.com	cat. no.	-	Product - Customer Drw	sheet 2 of 10	rev	BP	
	linear	0.X	±0.3	Amphenol FCi	title	METRAL SIGNAL HEADER		dwg no	89006		
		0.XX	±0.13			1 MOD, 5 ROW PRESS-FIT					
		0.XXX	±0.050								

A

B

C

D

METRAL P/N	ROW	CONTACT CODE MOD. I					
		1	2	3	4	5	6
89006-X10LF	E	1	1	1	1	1	1
	D	1	1	1	1	1	1
	C	1	1	1	1	1	1
	B	1	1	1	1	1	1
	A	1	1	1	1	1	1
89006-X14LF	E	4	4	4	4	4	4
	D	3	3	3	3	3	3
	C	4	4	4	4	4	4
	B	4	4	4	4	4	4
	A	4	4	4	4	4	4
89006-X19LF	E	4	4	4	4	4	4
	D	4	4	4	4	4	4
	C	4	4	4	4	4	4
	B	4	4	4	4	4	4
	A	4	4	4	4	4	4
89006-X23LF	E	8	8	8	8	8	8
	D	20	20	20	20	20	20
	C	8	8	8	8	8	8
	B	8	8	8	8	8	8
	A	8	8	8	8	8	8
89006-X27LF	E	6	6	6	6	6	6
	D	6	6	6	6	6	6
	C	6	6	6	6	6	6
	B	6	6	6	6	6	6
	A	20	20	20	20	20	20
89006-X32LF	E	12	12	12	12	12	12
	D	11	11	11	11	11	11
	C	11	11	11	11	11	11
	B	9	9	9	9	9	9
	A	9	9	9	9	9	9
89006-X11LF	E	3	3	3	3	3	3
	D	3	3	3	3	3	3
	C	3	3	3	3	3	3
	B	3	3	3	3	3	3
	A	3	3	3	3	3	3
89006-X15LF	E	1	1	1	1	1	1
	D	1	1	1	1	1	1
	C	1	1	1	1	1	1
	B	1	1	1	1	1	1
	A	3	3	3	3	3	3
89006-X20LF	E	5	5	5	5	5	5
	D	5	5	5	5	5	5
	C	5	5	5	5	5	5
	B	5	5	5	5	5	5
	A	5	5	5	5	5	5
89006-X24LF	E	8	8	8	8	8	8
	D	7	7	7	7	7	7
	C	8	8	8	8	8	8
	B	8	8	8	8	8	8
	A	8	8	8	8	8	8
89006-X29LF	E	8	8	8	8	8	8
	D	8	8	8	8	8	8
	C	8	8	8	8	8	8
	B	8	8	8	8	8	8
	A	8	8	8	8	8	8
89006-X33LF	E	12	12	12	12	12	12
	D	21	21	21	21	21	21
	C	12	12	12	12	12	12
	B	12	12	12	12	12	12
	A	12	12	12	12	12	12
89006-X12LF	E	4	4	4	4	4	4
	D	3	3	3	3	3	3
	C	3	3	3	3	3	3
	B	1	1	1	1	1	1
	A	1	1	1	1	1	1
89006-X16LF	E	2	2	2	2	2	2
	D	2	2	2	2	2	2
	C	2	2	2	2	2	2
	B	2	2	2	2	2	2
	A	2	2	2	2	2	2
89006-X21LF	E	7	7	7	7	7	7
	D	7	7	7	7	7	7
	C	7	7	7	7	7	7
	B	7	7	7	7	7	7
	A	7	7	7	7	7	7
89006-X25LF	E	5	5	5	5	5	5
	D	5	5	5	5	5	5
	C	5	5	5	5	5	5
	B	5	5	5	5	5	5
	A	7	7	7	7	7	7
89006-X30LF	E	9	9	9	9	9	9
	D	9	9	9	9	9	9
	C	9	9	9	9	9	9
	B	9	9	9	9	9	9
	A	9	9	9	9	9	9
89006-X34LF	E	12	12	12	12	12	12
	D	11	11	11	11	11	11
	C	12	12	12	12	12	12
	B	12	12	12	12	12	12
	A	12	12	12	12	12	12
89006-X13LF	E	4	4	4	4	4	4
	D	19	19	19	19	19	19
	C	4	4	4	4	4	4
	B	4	4	4	4	4	4
	A	4	4	4	4	4	4
89006-X17LF	E	2	2	2	2	2	2
	D	2	2	2	2	2	2
	C	2	2	2	2	2	2
	B	2	2	2	2	2	2
	A	19	19	19	19	19	19
89006-X22LF	E	8	8	8	8	8	8
	D	7	7	7	7	7	7
	C	7	7	7	7	7	7
	B	5	5	5	5	5	5
	A	5	5	5	5	5	5
89006-X26LF	E	6	6	6	6	6	6
	D	6	6	6	6	6	6
	C	6	6	6	6	6	6
	B	6	6	6	6	6	6
	A	6	6	6	6	6	6
89006-X31LF	E	11	11	11	11	11	11
	D	11	11	11	11	11	11
	C	11	11	11	11	11	11
	B	11	11	11	11	11	11
	A	11	11	11	11	11	11
89006-X35LF	E	9	9	9	9	9	9
	D	9	9	9	9	9	9
	C	9	9	9	9	9	9
	B	9	9	9	9	9	9
	A	11	11	11	11	11	11

spec ref	*	dr	Terran Huang	2010/07/09	projection	mm	size	A4	scale	1:1
tolerance std	TOLERANCES UNLESS OTHERWISE SPECIFIED	eng	Narayanan, Aru	2020/11/11			ecn no	ELX-I-38926-1		
ISO 406		chr	-	-						
ISO 1101		appr	Kuriakose, San	2020/11/12	product family	METRAL	rel level	Released		
surface	3.200	Amphenol FCI	METRAL SIGNAL HEADER			dwg no	89006			rev
	linear		0.X	±0.3	1 MOD, 5 ROW PRESS-FIT					
	angular		0°	±2°	Product - Customer Drw					
ISO 1302		www.fci.com	cat. no.	-	sheet 3 of 10			BP		

A

B

C

D

METRAL P/N	ROW	CONTACT CODE MOD. I					
		1	2	3	4	5	6
89006-X36LF	E	10	10	10	10	10	10
	D	10	10	10	10	10	10
	C	10	10	10	10	10	10
	B	10	10	10	10	10	10
	A	10	10	10	10	10	10

METRAL P/N	ROW	CONTACT CODE MOD. I					
		1	2	3	4	5	6
89006-X41LF	E	2	2	2	2	2	2
	D	1	1	1	1	1	1
	C	2	2	2	2	2	2
	B	2	2	2	2	2	2
	A	3	3	3	3	3	3

METRAL P/N	ROW	CONTACT CODE MOD. I					
		1	2	3	4	5	6
89006-X45LF	E	1	1	1	1	1	1
	D	19	19	19	19	19	19
	C	1	1	1	1	1	1
	B	19	19	19	19	19	19
	A	1	1	1	1	1	1

METRAL P/N	ROW	CONTACT CODE MOD. I					
		1	2	3	4	5	6
89006-X49LF	E	4	4	4	4	4	4
	D	3	3	3	3	3	3
	C	3	3	3	3	3	3
	B	3	3	3	3	3	3
	A	19	19	19	19	19	19

METRAL P/N	ROW	CONTACT CODE MOD. I					
		1	2	3	4	5	6
89006-X53LF	E	6	6	6	6	6	6
	D	6	6	6	6	6	6
	C	6	6	6	6	6	6
	B	6	6	6	6	6	6
	A	8	8	8	8	8	8

METRAL P/N	ROW	CONTACT CODE MOD. I					
		1	2	3	4	5	6
89006-X57LF	E	6	6	6	6	6	6
	D	7	7	7	7	7	7
	C	6	6	6	6	6	6
	B	6	6	6	6	6	6
	A	7	7	7	7	7	7

METRAL P/N	ROW	CONTACT CODE MOD. I					
		1	2	3	4	5	6
89006-X37LF	E	10	10	10	10	10	10
	D	10	10	10	10	10	10
	C	10	10	10	10	10	10
	B	10	10	10	10	10	10
	A	21	21	21	21	21	21

METRAL P/N	ROW	CONTACT CODE MOD. I					
		1	2	3	4	5	6
89006-X42LF	E	2	2	2	2	2	2
	D	4	4	4	4	4	4
	C	4	4	4	4	4	4
	B	3	3	3	3	3	3
	A	4	4	4	4	4	4

METRAL P/N	ROW	CONTACT CODE MOD. I					
		1	2	3	4	5	6
89006-X46LF	E	2	2	2	2	2	2
	D	2	2	2	2	2	2
	C	4	4	4	4	4	4
	B	2	2	2	2	2	2
	A	2	2	2	2	2	2

METRAL P/N	ROW	CONTACT CODE MOD. I					
		1	2	3	4	5	6
89006-X50LF	E	6	6	6	6	6	6
	D	6	6	6	6	6	6
	C	6	6	6	6	6	6
	B	8	8	8	8	8	8
	A	6	6	6	6	6	6

METRAL P/N	ROW	CONTACT CODE MOD. I					
		1	2	3	4	5	6
89006-X54LF	E	5	5	5	5	5	5
	D	7	7	7	7	7	7
	C	8	8	8	8	8	8
	B	7	7	7	7	7	7
	A	5	5	5	5	5	5

METRAL P/N	ROW	CONTACT CODE MOD. I					
		1	2	3	4	5	6
89006-X58LF	E	20	20	20	20	20	20
	D	20	20	20	20	20	20
	C	20	20	20	20	20	20
	B	20	20	20	20	20	20
	A	20	20	20	20	20	20

METRAL P/N	ROW	CONTACT CODE MOD. I					
		1	2	3	4	5	6
89006-X39LF	E	12	12	12	12	12	12
	D	12	12	12	12	12	12
	C	12	12	12	12	12	12
	B	12	12	12	12	12	12
	A	12	12	12	12	12	12

METRAL P/N	ROW	CONTACT CODE MOD. I					
		1	2	3	4	5	6
89006-X43LF	E	2	2	2	2	2	2
	D	2	2	2	2	2	2
	C	2	2	2	2	2	2
	B	2	2	2	2	2	2
	A	4	4	4	4	4	4

METRAL P/N	ROW	CONTACT CODE MOD. I					
		1	2	3	4	5	6
89006-X47LF	E	2	2	2	2	2	2
	D	3	3	3	3	3	3
	C	2	2	2	2	2	2
	B	2	2	2	2	2	2
	A	3	3	3	3	3	3

METRAL P/N	ROW	CONTACT CODE MOD. I					
		1	2	3	4	5	6
89006-X51LF	E	6	6	6	6	6	6
	D	5	5	5	5	5	5
	C	6	6	6	6	6	6
	B	6	6	6	6	6	6
	A	7	7	7	7	7	7

METRAL P/N	ROW	CONTACT CODE MOD. I					
		1	2	3	4	5	6
89006-X55LF	E	5	5	5	5	5	5
	D	20	20	20	20	20	20
	C	5	5	5	5	5	5
	B	20	20	20	20	20	20
	A	5	5	5	5	5	5

METRAL P/N	ROW	CONTACT CODE MOD. I					
		1	2	3	4	5	6
89006-X59LF	E	8	8	8	8	8	8
	D	7	7	7	7	7	7
	C	7	7	7	7	7	7
	B	7	7	7	7	7	7
	A	20	20	20	20	20	20

METRAL P/N	ROW	CONTACT CODE MOD. I					
		1	2	3	4	5	6
89006-X40LF	E	2	2	2	2	2	2
	D	2	2	2	2	2	2
	C	2	2	2	2	2	2
	B	4	4	4	4	4	4
	A	2	2	2	2	2	2

METRAL P/N	ROW	CONTACT CODE MOD. I					
		1	2	3	4	5	6
89006-X44LF	E	1	1	1	1	1	1
	D	3	3	3	3	3	3
	C	4	4	4	4	4	4
	B	3	3	3	3	3	3
	A	1	1	1	1	1	1

METRAL P/N	ROW	CONTACT CODE MOD. I					
		1	2	3	4	5	6
89006-X48LF	E	19	19	19	19	19	19
	D	19	19	19	19	19	19
	C	19	19	19	19	19	19
	B	19	19	19	19	19	19
	A	19	19	19	19	19	19

METRAL P/N	ROW	CONTACT CODE MOD. I					
		1	2	3	4	5	6
89006-X52LF	E	6	6	6	6	6	6
	D	8	8	8	8	8	8
	C	8	8	8	8	8	8
	B	7	7	7	7	7	7
	A	8	8	8	8	8	8

METRAL P/N	ROW	CONTACT CODE MOD. I					
		1	2	3	4	5	6
89006-X56LF	E	6	6	6	6	6	6
	D	6	6	6	6	6	6
	C	8	8	8	8	8	8
	B	6	6	6	6	6	6
	A	6	6	6	6	6	6

METRAL P/N	ROW	CONTACT CODE MOD. I					
		1	2	3	4	5	6
89006-X60LF	E	10	10	10	10	10	10
	D	10	10	10	10	10	10
	C	10	10	10	10	10	10
	B	12	12	12	12	12	12
	A	10	10	10	10	10	10

spec ref	*	dr	Terran Huang	2010/07/09	projection	mm	size	A4	scale	1:1	
tolerance std	ISO 406 ISO 1101	eng	Narayanan, Aru	2020/11/11			ecn no		ELX-I-38926-1		
surface	3.200 ✓ ISO 1302	chr	-	-			product family		METRAL		rel level
	linear	appr	Kuriakose, San	2020/11/12	METRAL SIGNAL HEADER		dwg no		89006		
	angular				1 MOD, 5 ROW PRESS-FIT		rev		BP		
	0.X ±0.3	www.fci.com		cat. no.	Product - Customer Drw		sheet 4 of 10				
	0.XX ±0.13										
	0.XXX ±0.050										
	0° ±2°										

A

B

C

D

METRAL P/N	ROW	CONTACT CODE MOD. I						METRAL P/N	ROW	CONTACT CODE MOD. I						METRAL P/N	ROW	CONTACT CODE MOD. I						METRAL P/N	ROW	CONTACT CODE MOD. I						METRAL P/N	ROW	CONTACT CODE MOD. I													
		1	2	3	4	5	6			1	2	3	4	5	6			1	2	3	4	5	6			1	2	3	4	5	6			1	2	3	4	5	6	1	2	3	4	5	6		
89006-X61LF	E	10	10	10	10	10	10	89006-X65LF	E	9	9	9	9	9	9	89006-X69LF	E	12	12	12	12	12	12	89006-X73LF	E	4	4	4	4	4	4	89006-X77LF	E	3	3	3	3	3	3	89006-X81LF	E	7	7	7	7	7	7
	D	9	9	9	9	9	9		D	21	21	21	21	21	D		11	11	11	11	11	11	D		4	4	4	4	4	4	D		19	19	19	19	19	D	20		20	20	20	20			
	C	10	10	10	10	10	10		C	9	9	9	9	9	C		11	11	11	11	11	11	C		4	4	4	4	4	4	C		4	4	4	4	4	4	C		7	7	7	7	7	7	
	B	10	10	10	10	10	10		B	21	21	21	21	21	B		11	11	11	11	11	11	B		4	4	4	4	4	4	B		3	3	3	3	3	3	B		20	20	20	20	20	20	
	A	11	11	11	11	11	11		A	9	9	9	9	9	A		21	21	21	21	21	21	A		13	13	13	13	13	13	A		3	3	3	3	3	3	A		7	7	7	7	7	7	

spec ref	*	dr	Terran Huang	2010/07/09	projection		size	A4	scale	1:1		
tolerance std	TOLERANCES UNLESS OTHERWISE SPECIFIED	eng	Narayanan, Aru	2020/11/11		mm	ecn no	ELX-I-38926-1				
ISO 406		chr	-	-				rel level	Released			
ISO 1101		appr	Kuriakose, San	2020/11/12	product family	METRAL			rev			
surface	3.200 linear	Amphenol FCI			METRAL SIGNAL HEADER			89006			BP	
	0.X											±0.3
	0.XX											±0.13
	0.XXX	±.050	www.fci.com			cat. no.			-			
ISO 1302	angular	0°	±2°			Product - Customer Drw			sheet 5 of 10			

A

B

C

D

METRAL P/N	ROW	CONTACT CODE MOD. I					
		1	2	3	4	5	6
89006-X85LF	E	7	7	7	7	7	7
	D	7	7	7	7	7	7
	C	6	6	6	6	6	6
	B	7	7	7	7	7	7
	A	7	7	7	7	7	7

spec ref	*	dr	Terran Huang	2010/07/09	projection	mm	size	A4	scale	1:1
tolerance std	ISO 406 ISO 1101	eng	Narayanan, Aru	2020/11/11			ecn no	ELX-I-38926-1		
surface	3.200 ✓ ISO 1302	chr	-	-			rel level	Released		
	0.X ±0.3 0.XX ±0.13 0.XXX ±.050	appr	Kuriakose, San	2020/11/12	product family	METRAL			rev	BP
	angular 0° ±2°	Amphenol FCI		METRAL SIGNAL HEADER			dwg no	89006		
		www.fci.com	cat. no.		-	Product - Customer Drw	sheet 6 of 10			

A

B

C

D

METRAL P/N	ROW	CONTACT CODE MOD. I					
		1	2	3	4	5	6
89006-X109LF	E	59	59	59	59	59	59
	D	59	59	59	59	59	59
	C	59	59	59	59	59	59
	B	59	59	59	59	59	59
	A	77	77	77	77	77	77
89006-X113LF	E	66	66	66	66	66	65
	D	66	66	66	66	66	66
	C	66	66	66	66	66	66
	B	66	66	66	66	66	66
	A	66	66	66	66	66	66
89006-X117LF	E	66	66	66	66	66	66
	D	66	66	66	66	66	66
	C	66	66	66	66	66	66
	B	66	66	66	66	66	66
	A	66	66	66	66	66	66
89006-X121LF	E	86	66	66	66	66	66
	D	86	66	66	66	66	66
	C	56	66	66	66	66	66
	B	86	66	66	66	66	66
	A	86	66	66	66	66	66
89006-X125LF	E	66	66	66	66	66	66
	D	66	66	66	66	66	66
	C	20	20	20	20	20	20
	B	66	66	66	66	66	66
	A	66	66	66	66	66	66
89006-X129LF	E	22	22	22	22	44	44
	D	22	22	22	22	44	44
	C	22	22	22	22	44	42
	B	22	22	22	22	44	44
	A	22	22	22	22	22	21
89006-X110LF	E	32	22	22	22	22	22
	D	32	22	22	22	22	22
	C	32	22	22	22	22	22
	B	32	22	22	22	22	22
	A	32	22	22	22	22	22
89006-X114LF	E	42	23	32	42	42	42
	D	42	23	32	42	42	42
	C	42	23	32	42	42	42
	B	42	23	32	42	42	42
	A	42	23	32	42	42	42
89006-X118LF	E	86	66	66	66	66	66
	D	86	66	66	66	66	66
	C	86	66	66	66	66	66
	B	86	66	66	66	66	66
	A	86	66	66	66	66	66
89006-X122LF	E	33	32	22	22	22	22
	D	22	22	22	22	22	22
	C	22	22	22	22	22	22
	B	22	22	22	22	22	22
	A	22	22	22	22	22	22
89006-X126LF	E	22	24	42	22	22	22
	D	22	24	42	22	22	22
	C	22	24	42	22	22	22
	B	22	24	42	22	22	22
	A	22	24	42	22	22	22
89006-X130LF	E	22	22	22	22	22	22
	D	44	44	44	44	44	44
	C	44	44	44	44	44	44
	B	44	44	44	44	44	44
	A	22	22	22	22	22	22
89006-X111LF	E	22	22	22	22	23	23
	D	22	22	22	22	23	23
	C	22	22	22	22	23	23
	B	22	22	22	22	23	23
	A	22	22	22	22	23	23
89006-X115LF	E	22	22	12	22	22	22
	D	22	22	12	22	22	22
	C	22	22	12	22	22	22
	B	22	22	12	22	22	22
	A	12	22	12	22	22	22
89006-X119LF	E	22	22	22	22	22	22
	D	22	22	22	22	22	22
	C	12	22	22	22	22	22
	B	12	22	22	22	22	22
	A	12	22	22	22	22	22
89006-X123LF	E	22	22	22	22	22	22
	D	22	22	22	22	22	22
	C	19	19	19	19	19	19
	B	22	22	22	22	22	22
	A	22	22	22	22	22	22
89006-X127LF	E	22	42	22	22	22	22
	D	24	42	22	22	22	22
	C	24	42	22	22	22	22
	B	24	42	22	22	22	22
	A	22	42	22	22	22	22
89006-X131LF	E	86	66	86	66	66	66
	D	86	66	86	66	66	66
	C	88	88	88	56	66	66
	B	86	66	86	66	66	66
	A	86	66	86	66	66	66
89006-X112LF	E	76	66	66	66	66	66
	D	76	66	66	66	66	66
	C	76	66	66	66	66	66
	B	76	66	66	66	66	66
	A	76	66	66	66	66	66
89006-X116LF	E	56	66	66	66	66	66
	D	56	66	66	66	66	66
	C	56	66	66	66	66	66
	B	56	66	66	66	66	66
	A	56	66	66	66	66	66
89006-X120LF	E	22	22	22	22	42	42
	D	22	22	22	22	42	42
	C	22	22	22	22	42	42
	B	22	22	22	22	42	42
	A	22	22	22	22	42	42
89006-X124LF	E	22	22	12	22	22	22
	D	22	22	22	22	22	22
	C	22	22	22	22	22	22
	B	22	22	22	22	22	22
	A	22	22	22	22	22	22
89006-X128LF	E	22	22	42	22	22	22
	D	22	22	42	42	22	22
	C	22	22	42	42	22	22
	B	22	22	42	42	22	22
	A	22	22	42	42	22	22
89006-X132LF	E	86	76	66	66	66	66
	D	86	76	66	66	66	66
	C	56	66	86	66	66	66
	B	88	78	86	66	66	66
	A	88	78	86	66	66	66

spec ref	*	dr	Terran Huang	2010/07/09	projection	mm	size	A4	scale	1:1		
tolerance std	ISO 406 ISO 1101	eng	Narayanan, Aru	2020/11/11			ecn no				ELX-I-38926-1	
TOLERANCES UNLESS OTHERWISE SPECIFIED		chr	-	-			rel level				Released	
surface	3.200 ✓ ISO 1302	appr	Kuriakose, San	2020/11/12	product family			METRAL	rev		BP	
	0.X ±0.3 0.XX ±0.13 0.XXX ±.050	Amphenol FCI			part no			METRAL SIGNAL HEADER		dwg no		89006
	angular 0° ±2°	www.fci.com			cat. no.			-		Product - Customer Drw		sheet 7 of 10

A

B

C

D

METRAL P/N	ROW	CONTACT CODE MOD. I						METRAL P/N	ROW	CONTACT CODE MOD. I						METRAL P/N	ROW	CONTACT CODE MOD. I						METRAL P/N	ROW	CONTACT CODE MOD. I						METRAL P/N	ROW	CONTACT CODE MOD. I																										
		1	2	3	4	5	6			1	2	3	4	5	6			1	2	3	4	5	6			1	2	3	4	5	6			1	2	3	4	5	6	1	2	3	4	5	6															
89006-X133LF	E	2	2	2	2	2	89006-X137LF	E	2	2	2	3	3	2	89006-X141LF	E	1	1	1	1	3	3	89006-X145LF	E	5	5	1	1	7	5	89006-X149LF	E	2	2	2	2	2	1	89006-X153LF	E	2	2	2	2	2	2														
	D	2	2	2	2	2		D	2	2	2	3	3	2		D	1	1	1	1	3	3		D	5	5	1	1	7	5		D	2	2	2	2	2	2		D	2	2	2	2	2	2														
	C	2	2	2	2	2		C	2	2	2	3	3	2		C	3	3	3	3	3	3		C	5	5	1	1	7	7		C	2	2	2	2	2	2		C	2	2	2	2	2	2	C	2	2	2	2	2	2							
	B	2	2	2	2	2		B	2	2	2	3	3	2		B	1	1	1	1	3	1		B	5	5	1	1	7	5		B	2	2	2	2	2	2		B	2	2	2	2	2	2	B	2	2	2	2	2	2	B	2	2	2	2	2	2
	A	2	2	1	2	2		2	A	2	2	2	3	3		2	A	1	1	1	1	3		1	A	5	5	1	1	7		5	A	2	2	2	2	2		2	A	2	2	2	2	2	2	A	4	2	2	2	2	2						

spec ref	*	dr	Terran Huang	2010/07/09	projection	mm	size	A4	scale	1:1	
tolerance std	ISO 406 ISO 1101	eng	Narayanan, Aru	2020/11/11			ecn no	ELX-I-38926-1			
surface	3.200 ✓ ISO 1302	chr	-	-			product family	METRAL			rel level
	near	appr	Kuriakose, San	2020/11/12	METRAL SIGNAL HEADER			dwg no	89006		
	angular				1 MOD, 5 ROW PRESS-FIT			rev	BP		
					www.fci.com	cat. no.	-	Product - Customer Drw			sheet 8 of 10

METRAL P/N	ROW	CONTACT CODE MOD. I					
		1	2	3	4	5	6
89006-X157LF	E	2	2	2	2	2	19
	D	2	2	2	2	2	19
	C	2	2	2	2	2	19
	B	2	2	2	2	2	19
	A	2	2	1	2	2	19

METRAL P/N	ROW	CONTACT CODE MOD. I					
		1	2	3	4	5	6
89006-X158LF	E	19	2	19	2	19	19
	D	19	2	19	2	19	19
	C	19	2	19	2	19	19
	B	19	2	19	2	19	19
	A	19	2	19	2	19	19

METRAL P/N	ROW	CONTACT CODE MOD. I					
		1	2	3	4	5	6
89006-X159LF	E	2	2	2	2	4	19
	D	2	2	2	2	2	19
	C	2	2	2	2	2	19
	B	2	2	2	2	2	19
	A	2	2	1	2	2	19



spec ref *		dr	Terran Huang	2010/07/09	projection 	mm 	size	A4	scale	1:1	
tolerance std		eng	Narayanan, Aru	2020/11/11			ecn no	ELX-I-38926-1			
ISO 406 ISO 1101		chr	-	-			rel level	Released			
surface 3.200 linear		appr	Kuriakose, San	2020/11/12	product family		METRAL				
ISO 1302		Amphenol FCi		title		METRAL SIGNAL HEADER		dwg no	89006	rev	BP
		www.fci.com		1 MOD, 5 ROW PRESS-FIT		cat. no.		-		Product - Customer Drw	sheet 9 of 10

PRODUCT NUMBER

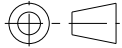
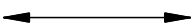
89006-XYLFF

NOTES:

1. MATERIAL : BODY : LCP YL94-V0
: CONTACT : COPPER ALLOY.
2. FOR PLATING PERFORMANCE REFER DRAWING # 10159408
3. ALL PRODUCTS WITH PART NUMBERS SHOWN IN SUBSEQUENT TABLES WILL BE PACKAGED IN TUBES. IF TRAY PACKAGING IS REQUIRED, A SUFFIX "P" WILL BE ADDED TO THE END OF THE PART NUMBER. EXAMPLE: XXXXX-XXXXP
4. PRODUCT SPECIFICATION GS-12-180
APPLICATION SPECIFICATION BUS-20-073
5. AFTER INSERTION INTO CIRCUIT BOARD WITH QUALIFIED TOOL.
6. THE PRODUCTS WHERE THE PART NUMBER ENDS IN LF MEET THE EUROPEAN UNION DIRECTIVES AND OTHER COUNTRY REGULATIONS AS DESCRIBED IN GS-47-0004.

ALL PRODUCTS WILL WITHSTAND EXPOSURE TO 260°C FOR 60 SECONDS IN A CONVECTION, INFRA-RED OR VAPOR PHASE REFLOW OVEN. Au CONTACT SURFACE OF THE CONTACTS SHALL BE EXPOSED TO A MAXIMUM 140°C FOR NO LONGER THAN 15 SECONDS IN A WAVE SOLDER APPLICATION.

7. A  SYMBOL WILL BE NEXT TO ANY DIMENSION, VIEW, OR NOTE WHICH HAS BEEN MODIFIED WITH THE CURRENT DRAWING REVISION.

spec ref *		dr	Terran Huang	2010/07/09	projection 	mm 	size	A4	scale	1:1					
tolerance std		eng	Narayanan, Aru	2020/11/11			ecn no	ELX-I-38926-1							
ISO 406 ISO 1101		chr	-	-			rel level	Released							
surface 3.200		TOLERANCES UNLESS OTHERWISE SPECIFIED	Amphenol FCi	title	METRAL SIGNAL HEADER	dwg no	89006	rev	BP	cat. no.	-	Product - Customer Drw	sheet 10 of 10		
ISO 1302	linear													0.X	±0.3
	angular													0°	±2°