



Main

| | |
|---------------------------------|--------------------------------------|
| Range of product | Harmony Relay |
| Product or component type | Solid state relay |
| Provided accessory | Thermal pad |
| Device short name | SSP1 |
| Mounting support | Panel |
| Number of phases | 1 phase |
| Contacts type and configuration | 1 NO |
| Line Rated Current | 75 A |
| Solid state output type | Zero voltage switching SCR output |

Complementary

| | |
|--|---|
| [Uc] control circuit voltage | 4...32 V DC |
| Minimum switching voltage | 4 V DC turn-on |
| Maximum switching voltage | 1 V DC turn-off |
| Response time | 0.5 cycle turn-on) 0.5 cycle turn-off) |
| Input current | 7...12 mA |
| Output voltage | 48...660 V AC |
| Load current | 0.15...75 A |
| Transient overvoltage | 1200 V |
| Surge current | 1000 A 16.6 ms |
| Maximum I ² t for fusing | 4150 A ² .s 8.33 ms 60 Hz 4555 A ² .s 10 ms 50 Hz |
| Co-ordination type | Type 1 - 50 A miniature circuit breaker (MCB) B Type 2 - 40 A miniature circuit breaker (MCB) B |
| Maximum leakage current | 1 mA off-state |
| Maximum voltage drop | <1.15 V on-state |
| DV/dt | 500 V/μs off-state at maximum voltage |
| Power factor | 0.5 with maximum load) |
| Motor controller rating | 1.5 Hp 120 V AC 3 Hp 240 V AC 7.5 hp 480 V AC |
| Insulation resistance | 1000 MOhm 500 V DC |
| Maximum capacitance | 8 pF input/output |
| Dielectric strength | 4 KV AC input/output 4 kV AC input or output to case |
| [Uimp] rated impulse withstand voltage | 6 KV output to case 6 kV input to output |
| Tightening torque | 1.5...1.7 N.m input 2...2.2 N.m output 17.7...19.47 lb.in output 13.27...15.04 lb.in input 0.5...0.6 N.m auxillary terminal 4.4...5.3 lb.in auxillary terminal |

| | |
|-------------------------------------|--|
| Connections - terminals | Screw terminals 0.2...3.3 mm ² , AWG 24...AWG 12) with cable end input Screw terminals 0.5...5.26 mm ² , AWG 20...AWG 10) with cable end output Screw terminals 0.2...3.3 mm ² , AWG 24...AWG 12) without cable end input Screw terminals 0.5...8.26 mm ² , AWG 20...AWG 8) without cable end output Forked type tag connectors 9.2 x 4 mm input Ring lugs 9.2 x 4 mm input Forked type tag connectors 11.7 x 4.5 mm output Ring lugs 11.7 x 4.5 mm output |
| Auxiliary/Alarm connection terminal | Screw-type connector, 0.5...1.5 mm ² AWG 20...AWG 16) slotted Philips |
| Thermal resistance | 0.3 °C/W junction to case |
| LED indicator | LED, steady, green ON status control input/test button actuated LED, steady, amber ON status load LED, flashing, amber control input to energise load LED, steady, red open-circuit control input LED, flashing, red load cut-off/short-circuit |
| Maximum alarm output current | 30 mA 32 V DC |
| Minimum load current | 150 mA |
| IP degree of protection | IP20 |
| Electromagnetic compatibility | Electrostatic discharge 6 kV criteria A contact discharge IEC 61000-4-2 Electrostatic discharge 8 kV criteria A air discharge IEC 61000-4-2 Radiated radio-frequency electromagnetic field immunity test criteria A output ports IEC 61000-4-3 Radiated radio-frequency electromagnetic field immunity test criteria B alarm port IEC 61000-4-3 Electrical fast transient/burst immunity test 1 kV, 5/100 kHz criteria B output ports IEC 61000-4-4 Surge immunity test 1 kV criteria A output ports line to line IEC 61000-4-5 Surge immunity test 2 kV criteria A output ports line to earth IEC 61000-4-5 |
| Safety reliability data | B10d = 1731395 MTTFd = 1875.9 years |
| Net Weight | 3.43 oz (97.1 g) |
| Device presentation | Complete product |

Environment

| | |
|---------------------------------------|--|
| Ambient air temperature for operation | -40...176 °F (-40...80 °C) |
| Ambient air temperature for storage | -40...257 °F (-40...125 °C) |
| Pollution degree | 2 |
| Overvoltage category | III |
| Product certifications | CSA EAC UL RoHS CE |
| Marking | CSA UL EAC CE |
| Standards | UL 508 EN/IEC 60950-1 EN/IEC 62314 CSA C22.2 No 14-13 |

Ordering and shipping details

| | |
|-----------------------|-----------------------------------|
| Category | 22375 - INTERFACE MODULE(ABA,R,S) |
| Discount Schedule | CP2 |
| GTIN | 03606485442259 |
| Nbr. of units in pkg. | 1 |
| Package weight(Lbs) | 1 lb(US) (0.45 kg) |
| Returnability | No |

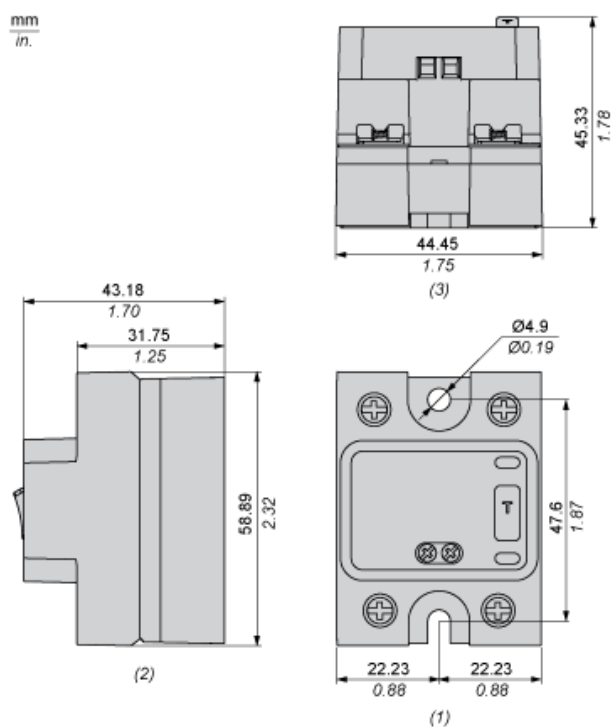
Packing Units

| | |
|------------------------------|------------------------|
| Unit Type of Package 1 | PCE |
| Package 1 Height | 1.77 in (4.5 cm) |
| Package 1 width | 1.81 in (4.6 cm) |
| Package 1 Length | 2.32 in (5.9 cm) |
| Unit Type of Package 2 | S01 |
| Number of Units in Package 2 | 28 |
| Package 2 Weight | 8.43 lb(US) (3.825 kg) |
| Package 2 Height | 5.91 in (15 cm) |
| Package 2 width | 5.91 in (15 cm) |
| Package 2 Length | 15.75 in (40 cm) |

Offer Sustainability

| | |
|----------------------------|---|
| Sustainable offer status | Green Premium product |
| California proposition 65 | WARNING: This product can expose you to chemicals including: Lead and lead compounds, which is known to the State of California to cause cancer and birth defects or other reproductive harm. For more information go to www.P65Warnings.ca.gov |
| REACH Regulation | REACH Declaration |
| EU RoHS Directive | Pro-active compliance (Product out of EU RoHS legal scope) EU RoHS Declaration |
| Mercury free | Yes |
| RoHS exemption information | Yes |
| China RoHS Regulation | China RoHS Declaration |
| Environmental Disclosure | Product Environmental Profile |
| Circularity Profile | End Of Life Information |

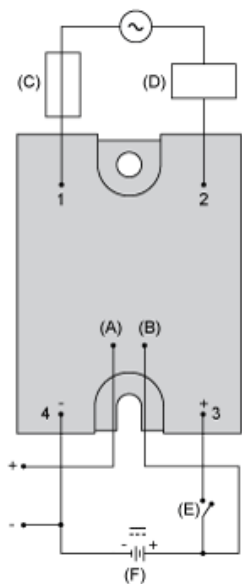
Dimensions



- (1) Front view
- (2) Side view
- (3) Bottom view

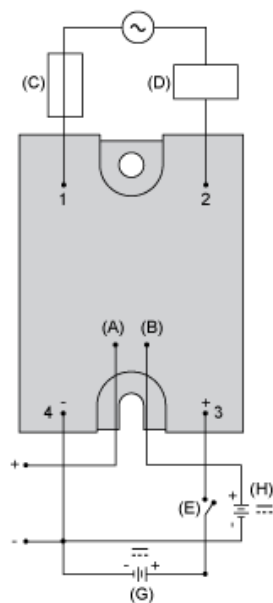
Wiring Diagram

Single Supply Connection



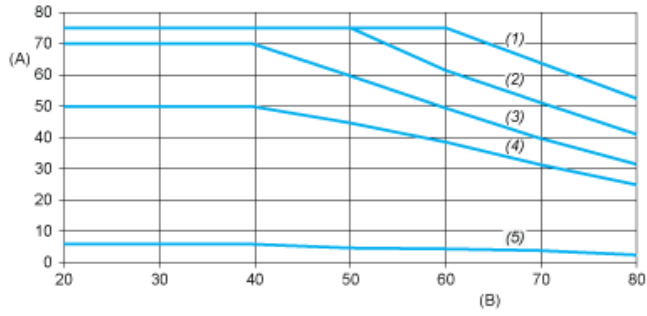
- (F) Control/Auxiliary supply (4...32 V DC)
- (A) Alarm output terminal (4...32 V DC)
- (B) Auxiliary supply terminal
- (C) Fuse or circuit-breaker
- (D) Load
- (E) Switch to energize load

Dual Supply Connection



- (G) Control supply (4...32 V DC)
- (H) Auxiliary supply (4...32 V DC)
- (A) Alarm output terminal (4...32 V DC)
- (B) Auxiliary supply terminal
- (C) Fuse or circuit-breaker
- (D) Load
- (E) Switch to energize load

Derating Curves



- A : Load Current (Arms)
B : Ambient Temperature (°C)
(1) For Heatsink SSRHP02
(2) For Heatsink SSRHP05
(3) For Heatsink SSRHP07
(4) For Heatsink SSRHD10
(5) No Heatsink