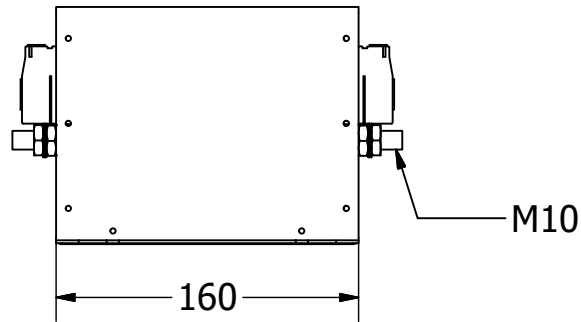
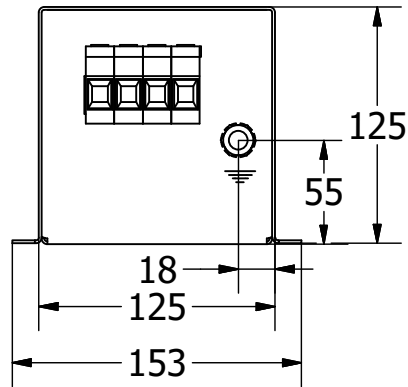
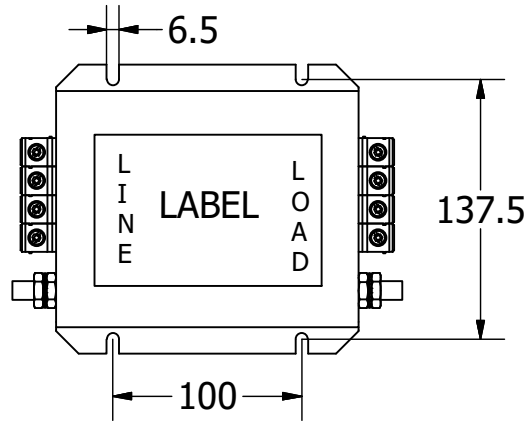
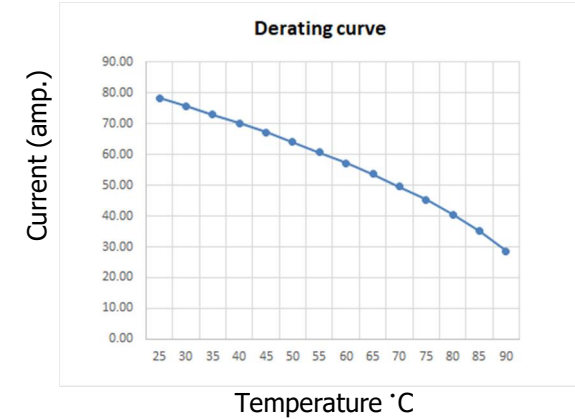


## Mechanical Details



## NOTES: UNLESS OTHERWISE SPECIFIED

1	TOLERANCE TO BE $\pm 1.0$ mm.
2	ALL DIMENSIONS ARE IN MM
3	



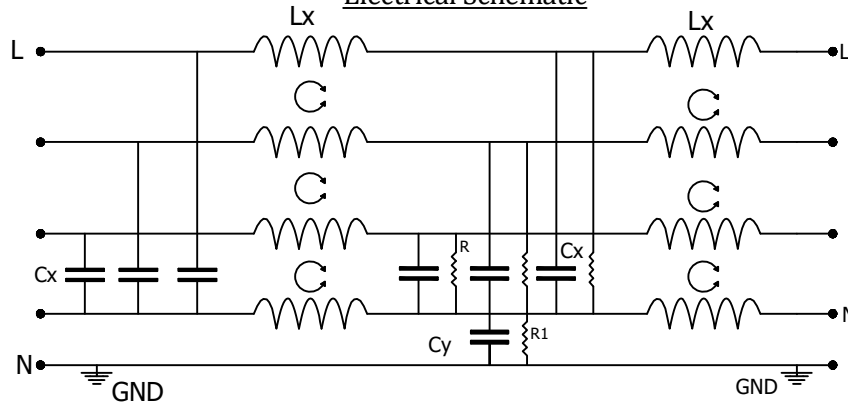
## PRODUCT LABEL



## SPECIFICATION

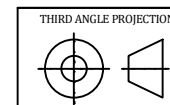
- 1) RATED VOLTAGE (MAX):  
64 AMP, 480/520 VAC 50-60HZ;
- 2) Hi-pot RATING (ONE MINUTE):  
LINE TO GROUND: 2750 VDC  
LINE TO LINE: 1300 VDC
- 3) MAXIMUM LEAKAGE LINE TO GROUND:  
10.7mA @520 VAC 60 Hz;
- 4) CLIMATE CLASS: 25/100/21  
TEMPERATURE RANGE: -25°C to +100°C  
OVERLOAD CURRENT: 1.5x Rated ct. for 1 min.

## Electrical Schematic



## 50 ohm - 50 ohm Typical Insertion Loss

FREQUENCY MHZ	0.01	0.1	0.5	1.0	2.0	5.0	10
COMMON DB	8	40	88	69	68	58	43
DIFFERENTIAL DB	15	28	75	73	71	51	30



A	ISSUE	ECN	SUJIT	AJAY	AUG. 2020
REV.	DESCRIPTION		DWN	APVD.	APVD. DATE
		ARROW POWER COMPONENT A-40, Wazirpur Industrial Area New Delhi, 110052 www.emcemv.com			
DRAWN BY	VERIFIED BY	APPROVED BY	CHECKED DATE		
SUJIT	ABHISHEK	AJAY	26-AUG-2020		
DESC. SINGLE PHASE SINGLE STAGE FILTER					PAGE 1 Of 1
SERIES EN328		PART NO. EN328H-64-T			