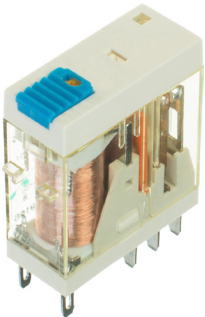


RoHS
Compliant



Features

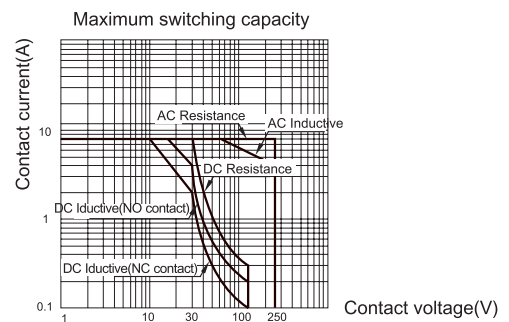
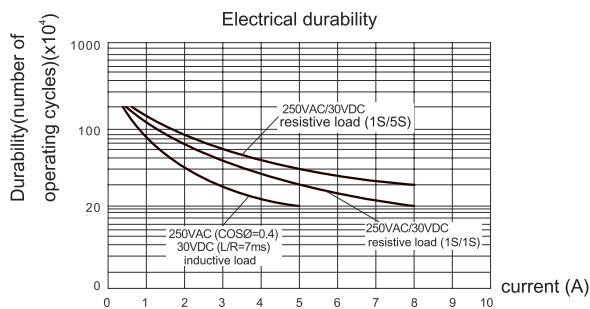
- Slim and compact size
- 2 pole 8A
- With non-polarity LED integrated in relay
- With lockable test bottom and inspection window
- Identification of coils through test button colour (AC Red/DC Blue)

Characteristics			
Contact	Configuration		2C
	Load	Resistive	8A / 250V AC, 30V DC
		Motor Load	1/6HP, 240V AC
	Max. Switching Capacity (resistive)		2000VA, 240W
	Min. Switching Capacity		170mW (17V/10mA)
	Initial Contact Resistance		≤50mΩ
	Material		Ag alloy
	Electrical Durability (High temp., frequency 1s on, 1s off)		≥20 × 10 ⁴ Cycles (1800 Ops/h)
	Electrical Durability (Normal Temp., frequency 1s on, 5s off)		≥30 × 10 ⁴ Cycles (600 Ops/h)
	Mechanical Durability		≥2000 × 10 ⁴ Cycles (18000 ops/h)
Pick-up Voltage (23°C) (Rated Voltage)		DC: ≤75%, AC: ≤80% 50/60Hz	
Drop-out Voltage (23°C) (Rated Voltage)		DC: ≥10%, AC: ≥30% 50/60Hz	
Maximum Voltage (23°C) (Rated Voltage)		110%	
Insulation Resistance		≥1000MΩ (500V DC)	
Coil Operating Power	DC(W)	approx. 0.53	
	AC(VA)	approx. 1 (60Hz)	
Operate Time (at nominal voltage)		≤20 ms	
Release Time (at nominal voltage)		≤10 ms	
Initial Breakdown Voltage	Between Open Contacts	1000V AC/1min (leakage current 1mA)	
	Between Poles	3000V AC/1min (leakage current 1mA)	
	Between Contacts and Coil	5000V AC/1min (leakage current 1mA)	
Insulation Characteristics IEC 60664 UL840	Rated Voltage	250V AC	
	Pollution Level	3	
	Overvoltage Level	III	
Impulse withstand voltage (waveform: 1.2/50μs)		4000V (Altitude 2000m)	
Protection Level		IP20	
Coil Voltage Code		110	

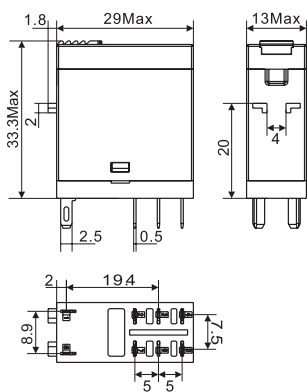
Storage Temperature/Humidity		55°C to +85°C / 5%~68% RH (18 months)
Working Temperature/Humidity		-40°C to +55°C / 5%~85% RH (No Condensation)
*Coil Specifications (23°C)	Nominal Voltage V DC	110
	Coil Resistance Ω	22800
	Nominal Voltage V AC	115
	Coil Resistance Ω	6300
Air Pressure		86 to 106KPa
Shock Resistance		10G (half-sine shock pulse: 11ms)
Vibration Resistance		10 to 55Hz double-amplitude: 1mm
Mounting		Plug-in
Unit weight		Approx. 18g

*Coil Resistance: Under Coil Voltage 110V are measured with tolerance of ±10%Ω, above 110V with tolerance of ±15%Ω.

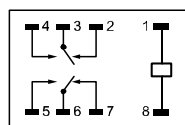
Contact Specification



Diagram



Wire Diagram



Part Number Table

Description	Part Number
Relay, 8A / 110V DC, Plug-in with LED+Test Button+Diode	MP005253

Dimensions : Millimetres

Important Notice : This data sheet and its contents (the "Information") belong to the members of the AVNET group of companies (the "Group") or are licensed to it. No licence is granted for the use of it other than for information purposes in connection with the products to which it relates. No licence of any intellectual property rights is granted. The Information is subject to change without notice and replaces all data sheets previously supplied. The Information supplied is believed to be accurate but the Group assumes no responsibility for its accuracy or completeness, any error in or omission from it or for any use made of it. Users of this data sheet should check for themselves the Information and the suitability of the products for their purpose and not make any assumptions based on information included or omitted. Liability for loss or damage resulting from any reliance on the Information or use of it (including liability resulting from negligence or where the Group was aware of the possibility of such loss or damage arising) is excluded. This will not operate to limit or restrict the Group's liability for death or personal injury resulting from its negligence. Multicomp Pro is the registered trademark of Premier Farnell Limited 2019.