

Handle coupler for residual current miniature circuit breaker D=70 mm for mounting additional components (1 set=5 units in poly bag)



Model	
product brand name	SETRON
product designation	Handle coupler
design of the product	For RCCB D=70 mm for fitting additional components (1 set=5 units in poly bag)
design of the locking device against switching off	No
design of the locking device against restart	No
product feature sealable	No

Mechanical Design	
depth	70 mm
Net Weight	5.3 g

Approvals Certificates	
Environment	General Product Approval

[Environmental Confirmations](#)

[Environmental Confirmations](#)

[Miscellaneous](#)



[Confirmation](#)



General Product Approval	other
--------------------------	-------



[Confirmation](#)



### Further information

Information on the packaging

<https://support.industry.siemens.com/cs/ww/en/view/109813875>

Information for data generation and storage

<https://support.industry.siemens.com/cs/ww/en/view/109995012>

Information- and Downloadcenter (Catalogs, Brochures,...)

<https://www.siemens.com/lowvoltage/catalogs>

Industry Mall (Online ordering system)

<https://mall.industry.siemens.com/mall/en/en/Catalog/product?mlfb=5ST3805-1>

Service&Support (Manuals, Certificates, Characteristics, FAQs,...)

<https://support.industry.siemens.com/cs/ww/en/ps/5ST3805-1>

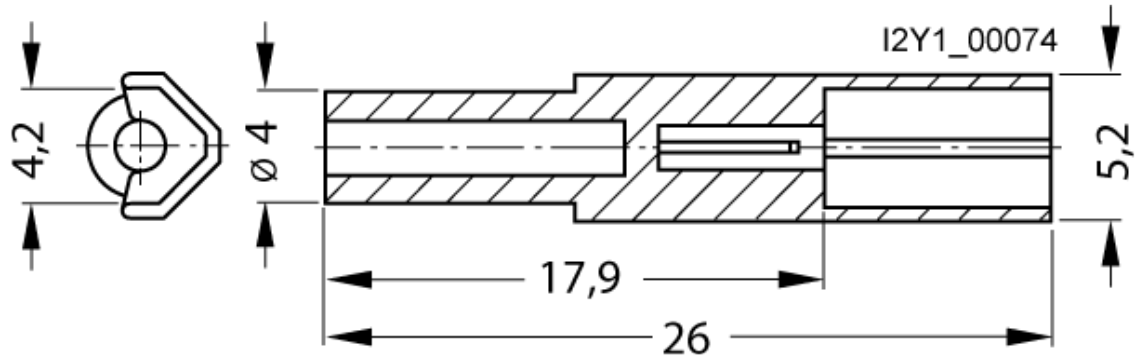
Image database (product images, 2D dimension drawings, 3D models, device circuit diagrams, ...)

[https://www.automation.siemens.com/bilddb/cax\\_en.aspx?mlfb=5ST3805-1](https://www.automation.siemens.com/bilddb/cax_en.aspx?mlfb=5ST3805-1)

CAX-Online-Generator

<https://www.siemens.com/cax>

Tender specifications



last modified:

4/11/2025 

