



handle locking devices for miniature circuit breaker for 5SY (not for 5SY17...) 5SP, 5TE8, 5SJ4...-HG..

Model	
product brand name	SENTRON
product designation	Locking device
design of the product	for handle for miniature circuit breaker for 5SY (without 5SY17), 5SP, 5TE8, 5SJ4...- HG..
design of the locking device against switching off	Yes
design of the locking device against restart	Yes
product feature sealable	Yes
Mechanical Design	
Net Weight	11 g
Approvals Certificates	
Environment	General Product Approval

[Environmental Con-
firmations](#)

[Environmental Con-
firmations](#)

[Miscellaneous](#)

[Confirmation](#)



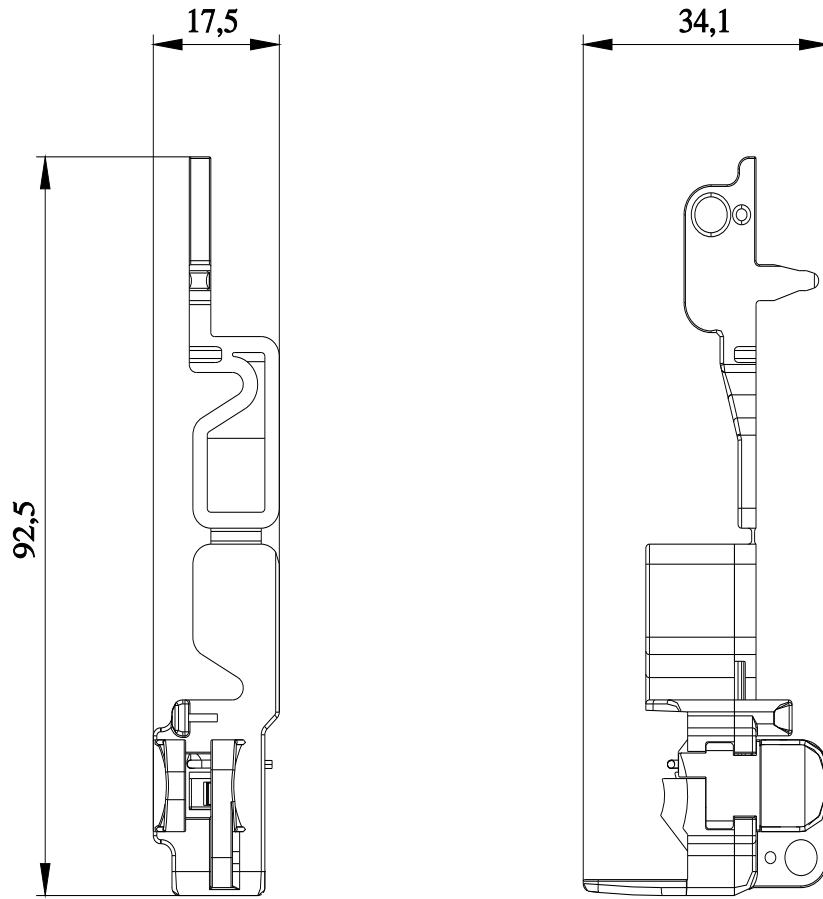
other



[Confirmation](#)

Further information

- Information on the packaging
<https://support.industry.siemens.com/cs/ww/en/view/109813875>
- Information for data generation and storage
<https://support.industry.siemens.com/cs/ww/en/view/109995012>
- Information- and Downloadcenter (Catalogs, Brochures,...)
<https://www.siemens.com/lowvoltage/catalogs>
- Industry Mall (Online ordering system)
<https://mall.industry.siemens.com/mall/en/en/Catalog/product?mlfb=5ST3801>
- Service&Support (Manuals, Certificates, Characteristics, FAQs,...)
<https://support.industry.siemens.com/cs/ww/en/ps/5ST3801>
- Image database (product images, 2D dimension drawings, 3D models, device circuit diagrams, ...)
https://www.automation.siemens.com/bilddb/cax_en.aspx?mlfb=5ST3801
- CAx-Online-Generator
<https://www.siemens.com/cax>
- Tender specifications
<https://www.siemens.com/specifications>
- Characteristic curves



last modified:

5/26/2025 

