

terminal cover 1-pole for miniature circuit breakers,



Model	
product brand name	SENTRON
product designation	Terminal cover 1-pole for MCB
Mechanical Design	
width	17 mm
Net Weight	2.4 g

Approvals Certificates	
Environment	General Product Approval

[Environmental Con-
firmations](#)

[Environmental Con-
firmations](#)



General Product Approval

[Miscellaneous](#)



[Confirmation](#)



EMV	Test Certificates	Maritime application
-----	-------------------	----------------------



[Miscellaneous](#)

[Special Test Certifi-
cate](#)

[Type Test Certifi-
cates/Test Report](#)



Maritime application	other
----------------------	-------



[CCS \(China Classifica-
tion Society\)](#)

[Miscellaneous](#)



other

[Confirmation](#)

Further information

Information on the packaging

<https://support.industry.siemens.com/cs/ww/en/view/109813875>

Information for data generation and storage

<https://support.industry.siemens.com/cs/ww/en/view/109995012>

Information- and Downloadcenter (Catalogs, Brochures,...)

<https://www.siemens.com/lowvoltage/catalogs>

Industry Mall (Online ordering system)

<https://mall.industry.siemens.com/mall/en/en/Catalog/product?mlfb=5ST3800>

Service&Support (Manuals, Certificates, Characteristics, FAQs,...)

<https://support.industry.siemens.com/cs/ww/en/ps/5ST3800>

Image database (product images, 2D dimension drawings, 3D models, device circuit diagrams, ...)

https://www.automation.siemens.com/bilddb/cax_en.aspx?mlfb=5ST3800

CAX-Online-Generator

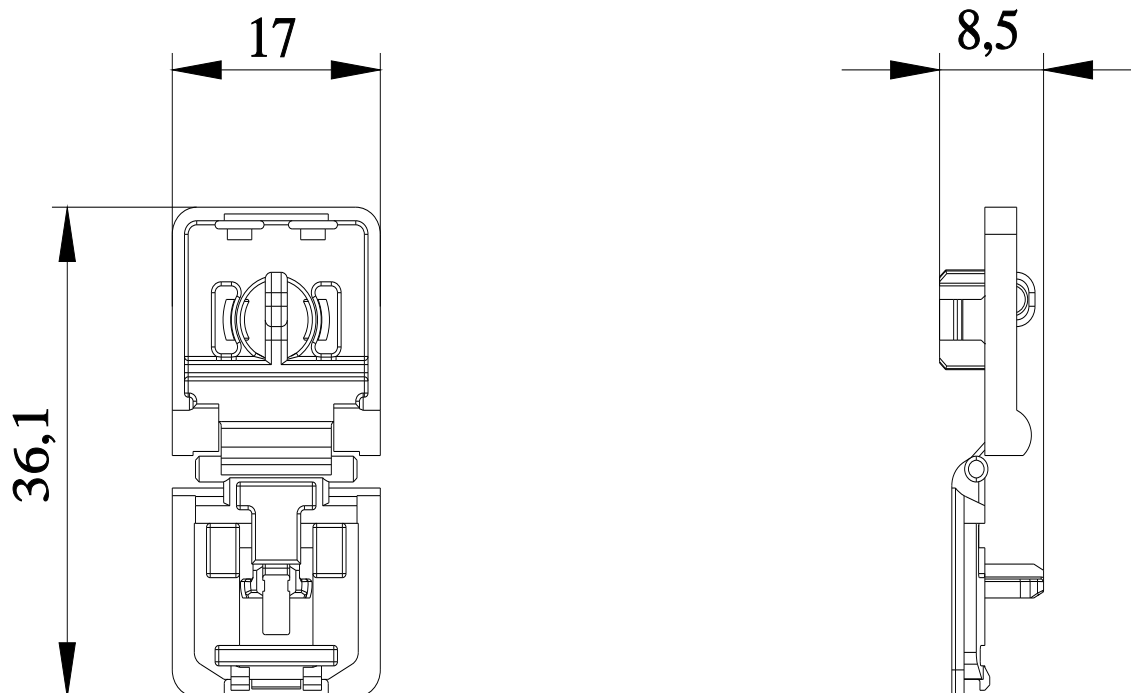
<https://www.siemens.com/cax>

Tender specifications

<https://www.siemens.com/specifications>

Characteristic curves

[https://curves.simaris.siemens.com/curves/<mmp_prod_noCOMP="HAUPT"></mmp_prod_no>](https://curves.simaris.siemens.com/curves/<mmp_prod_noCOMP=)



last modified:

4/11/2025 

