

fanning strip 2-pole for RT push-in terminal sockets



product brand name	SIRIUS
product type designation	LZS
General technical data	
display version LED	No
reference code according to IEC 81346-2	U
Substance Prohibitation (Date)	05/01/2012
Net Weight	0.919 g
Mechanical data	
product component plug-in socket	No
Auxiliary circuit	
number of NC contacts for auxiliary contacts	0
number of NO contacts for auxiliary contacts	0
number of CO contacts for auxiliary contacts	0
Connections/ Terminals	
product function removable terminal	No
Installation/ mounting/ dimensions	
mounting position	any
height	5.25 mm
width	15.5 mm
depth	21 mm
Ambient conditions	
ambient temperature	
• during operation	-40 ... +70 °C
• during storage	-20 ... +70 °C
• during transport	-20 ... +70 °C

Approvals Certificates			
Environment	General Product Approval	Test Certificates	other

[Environmental Confirmations](#)



[Type Test Certificates/Test Report](#)

[Confirmation](#)

other

[Confirmation](#)



Further information

Information on the packaging

<https://support.industry.siemens.com/cs/ww/en/view/109813875>

Information for data generation and storage

<https://support.industry.siemens.com/cs/ww/en/view/109995012>

Information- and Downloadcenter (Catalogs, Brochures,...)

<https://www.siemens.com/ic10>

Industry Mall (Online ordering system)

<https://mall.industry.siemens.com/mall/en/en/Catalog/product?mlfb=LZS:RT170P1>

Cax online generator

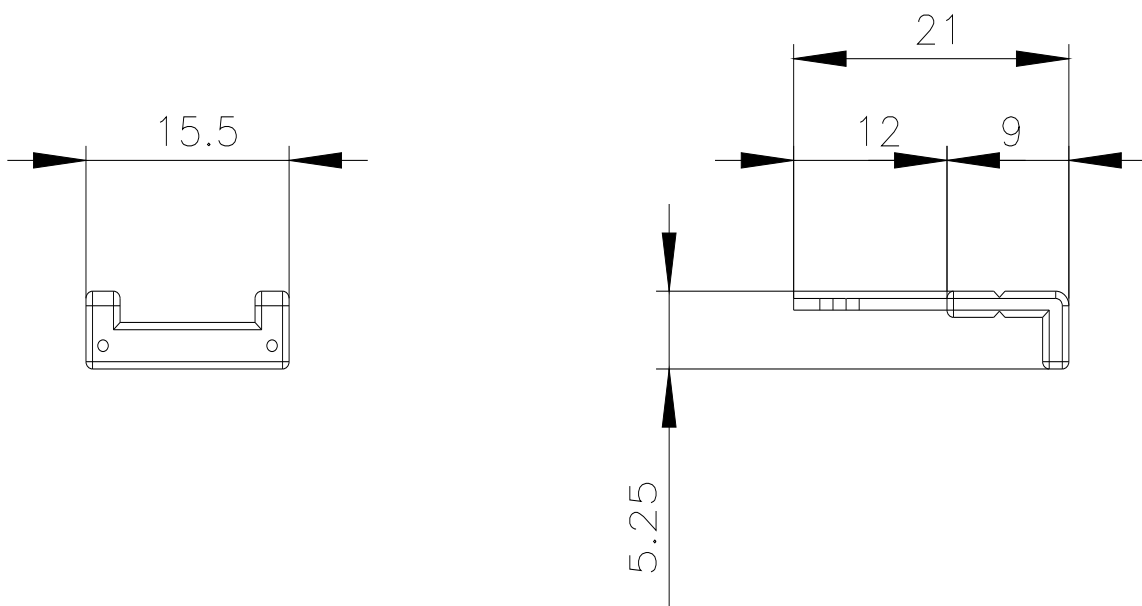
<https://support.automation.siemens.com/WW/CAXorder/default.aspx?lang=en&mlfb=LZS:RT170P1>

Service&Support (Manuals, Certificates, Characteristics, FAQs,...)

<https://support.industry.siemens.com/cs/ww/en/ps/LZS:RT170P1>

Image database (product images, 2D dimension drawings, 3D models, device circuit diagrams, EPLAN macros, ...)

https://www.automation.siemens.com/bilddb/cax_de.aspx?mlfb=LZS:RT170P1&lang=en



last modified:

10/22/2025 