



Fixing bracket

product brand name	SIRIUS	
product type designation	LZS	
General technical data		
display version LED	No	
reference code according to IEC 81346-2	U	
Substance Prohibitance (Date)	05/01/2012	
Net Weight	0.001 kg	
Mechanical data		
product component plug-in socket	No	
Auxiliary circuit		
number of NC contacts for auxiliary contacts	0	
number of NO contacts for auxiliary contacts	0	
number of CO contacts for auxiliary contacts	0	
Connections/ Terminals		
product function removable terminal	No	
Installation/ mounting/ dimensions		
mounting position	any	
height	23.7 mm	
width	36 mm	
depth	66.5 mm	
Ambient conditions		
ambient temperature		
• during storage	-25 ... +70 °C	
• during transport	-25 ... +70 °C	
Approvals Certificates		
Environment	General Product Approval	other

[Environmental Con-
firmations](#)



[Confirmation](#)

[Confirmation](#)



Further information

Information on the packaging
<https://support.industry.siemens.com/cs/ww/en/view/109813875>
 Information for data generation and storage
<https://support.industry.siemens.com/cs/ww/en/view/109995012>
 Information- and Downloadcenter (Catalogs, Brochures,...)
<https://www.siemens.com/ic10>
 Industry Mall (Online ordering system)

<https://mall.industry.siemens.com/mall/en/en/Catalog/product?mlfb=LZS:MT28800>

Cax online generator

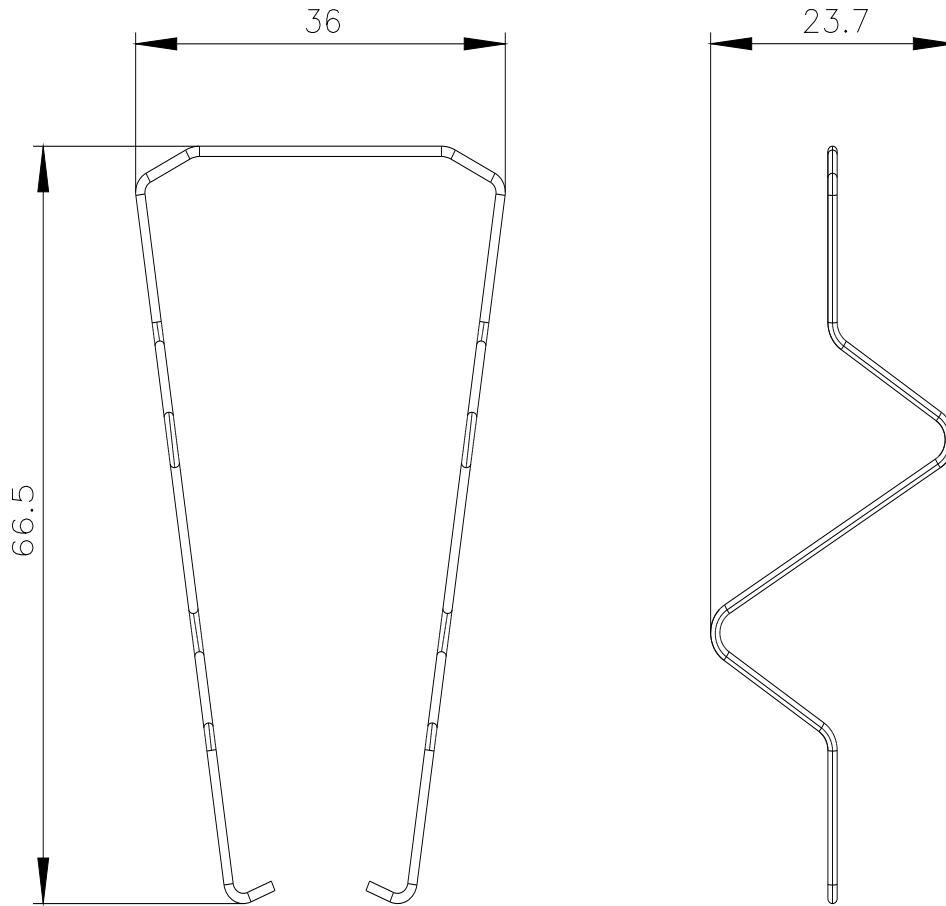
<https://support.automation.siemens.com/WW/CAXorder/default.aspx?lang=en&mlfb=LZS:MT28800>

Service&Support (Manuals, Certificates, Characteristics, FAQs,...)

<https://support.industry.siemens.com/cs/ww/en/ps/LZS:MT28800>

Image database (product images, 2D dimension drawings, 3D models, device circuit diagrams, EPLAN macros, ...)

https://www.automation.siemens.com/bilddb/cax_de.aspx?mlfb=LZS:MT28800&lang=en



last modified:

10/22/2025 