

Coupling tolerance compensation Size 12x 12, für 3KD

Model	
product brand name	SETRON
product designation	mounting tolerance compensation
size of cross-section of the shaft of door-coupling rotary operating mechanism	12x12 mm
suitability for use	for door mounted rotary operator 3KD/3KF/3KC0 size 5
Product details	
product description	size 12x 12
product component	
• extension shaft	No
Accessories	
accessories	Mounting tolerance compensation
Mechanical Design	
height	90 mm
width	90 mm
depth	90 mm
Net Weight	339 g
Approvals Certificates	
Environment	General Product Approval

[Environmental Conformations](#)



[Confirmation](#)



General Product Approval

Test Certificates

Maritime application

other



[Type Test Certificates/Test Report](#)



[Confirmation](#)

[Miscellaneous](#)



Further information

- Information on the packaging
<https://support.industry.siemens.com/cs/ww/en/view/109813875>
- Information for data generation and storage
<https://support.industry.siemens.com/cs/ww/en/view/109995012>
- Information- and Downloadcenter (Catalogs, Brochures,...)
<https://www.siemens.com/lowvoltage/catalogs>
- Industry Mall (Online ordering system)

<https://mall.industry.siemens.com/mall/en/en/Catalog/product?mlfb=8UD1900-4GA00>

Service&Support (Manuals, Certificates, Characteristics, FAQs,...)

<https://support.industry.siemens.com/cs/ww/en/ps/8UD1900-4GA00>

Image database (product images, 2D dimension drawings, 3D models, device circuit diagrams, ...)

https://www.automation.siemens.com/bilddb/cax_en.aspx?mlfb=8UD1900-4GA00

CAX-Online-Generator

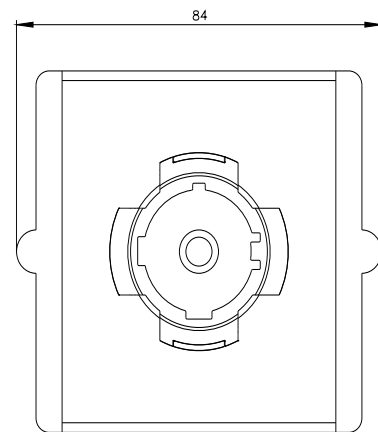
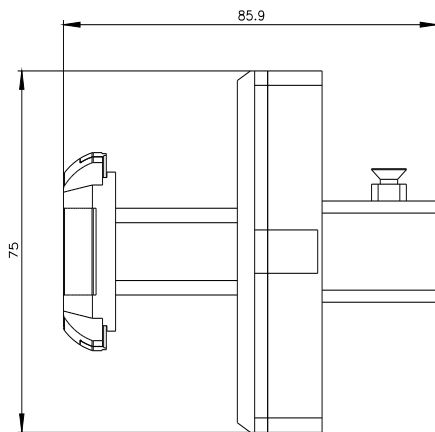
<https://www.siemens.com/cax>

Tender specifications

<https://www.siemens.com/specifications>

Characteristic curves

[https://curves.simaris.siemens.com/curves/<mmp_prod_noCOMP="HAUPT"></mmp_prod_no>](https://curves.simaris.siemens.com/curves/<mmp_prod_noCOMP=)



last modified:

4/4/2025 

