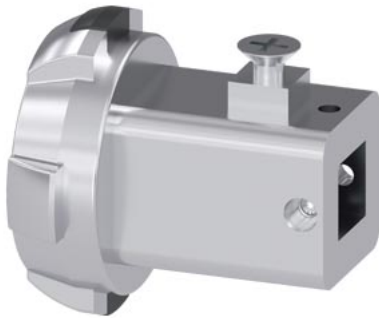


Door-coupling Size 10x 10, for 3KD



Model	
product brand name	SETRON
product designation	door coupling
design of the product	size 10x 10
size of cross-section of the shaft of door-coupling rotary operating mechanism	10x10 mm
suitability for use	for door mounted rotary operators 3KD size 5
Product details	
product component	
• extension shaft	No
Accessories	
accessories	Door coupling
Mechanical Design	
Net Weight	93 g
Approvals Certificates	
Environment	General Product Approval

[Environmental Conformations](#)



[Confirmation](#)



General Product Approval	Test Certificates	Maritime application	other
--------------------------	-------------------	----------------------	-------



[Type Test Certificates/Test Report](#)



[Confirmation](#)



[Miscellaneous](#)

Further information

- Information on the packaging <https://support.industry.siemens.com/cs/ww/en/view/109813875>
- Information for data generation and storage <https://support.industry.siemens.com/cs/ww/en/view/109995012>
- Information- and Downloadcenter (Catalogs, Brochures,...) <https://www.siemens.com/lowvoltage/catalogs>
- Industry Mall (Online ordering system) <https://mall.industry.siemens.com/mall/en/en/Catalog/product?mlfb=8UD1900-3HA00>
- Service&Support (Manuals, Certificates, Characteristics, FAQs,...) <https://support.industry.siemens.com/cs/ww/en/ps/8UD1900-3HA00>
- Image database (product images, 2D dimension drawings, 3D models, device circuit diagrams, ...)

https://www.automation.siemens.com/bilddb/cax_en.aspx?mlfb=8UD1900-3HA00

CAX-Online-Generator

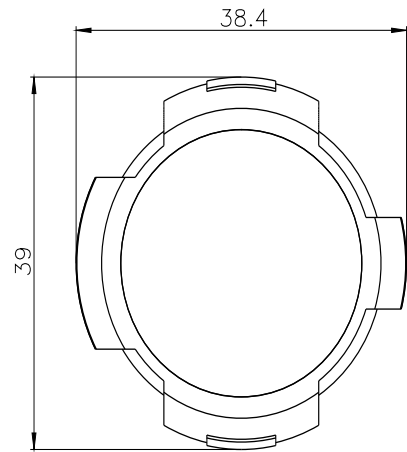
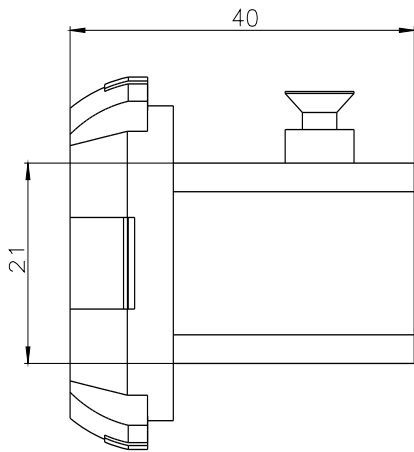
<https://www.siemens.com/cax>

Tender specifications

<https://www.siemens.com/specifications>

Characteristic curves

https://curves.simaris.siemens.com/curves/<mmp_prod_noCOMP='HAUPT'></mmp_prod_no>



last modified:

4/4/2025 