

handle with masking plate standard size 100x 100, for shaft 10x 10, test-0-I, handle size 140mm accessory for 3KD size 4 3KF size 4

Model	
product brand name	SETRON
product designation	handle with masking plate
design of the product	standard
design of handle	Gray
design of the door lock system	Door interlocking
size of cross-section of the shaft of door-coupling rotary operating mechanism	10x10 mm
size format of the masking frame of door-coupling rotary operating mechanism	100x 100 mm
length of handle	140 mm
protection class IP	IP65
suitability for use	for 3KD size 4, 3KF size 4

Product details	
product description	without lighting
product feature interlock	Yes
product component	
• extension shaft	No
• handle for emergency-OFF function	No
product feature lockable	Yes

Accessories	
accessories	Handle with masking frame
display version for switch position indicator	test-0-I

Mechanical Design	
height	198 mm
width	195 mm
depth	105 mm
Net Weight	660 g

Approvals Certificates	
Environment	General Product Approval

[Environmental Conformations](#)



[Confirmation](#)



Maritime application	other
----------------------	-------



[Confirmation](#)

[Miscellaneous](#)



Further information

Information on the packaging

<https://support.industry.siemens.com/cs/ww/en/view/109813875>

Information for data generation and storage

<https://support.industry.siemens.com/cs/ww/en/view/109995012>

Information- and Downloadcenter (Catalogs, Brochures,...)

<https://www.siemens.com/lowvoltage/catalogs>

Industry Mall (Online ordering system)

<https://mall.industry.siemens.com/mall/en/en/Catalog/product?mlfb=8UD1851-3AF01>

Service&Support (Manuals, Certificates, Characteristics, FAQs,...)

<https://support.industry.siemens.com/cs/ww/en/ps/8UD1851-3AF01>

Image database (product images, 2D dimension drawings, 3D models, device circuit diagrams, ...)

https://www.automation.siemens.com/bilddb/cax_en.aspx?mlfb=8UD1851-3AF01

CAx-Online-Generator

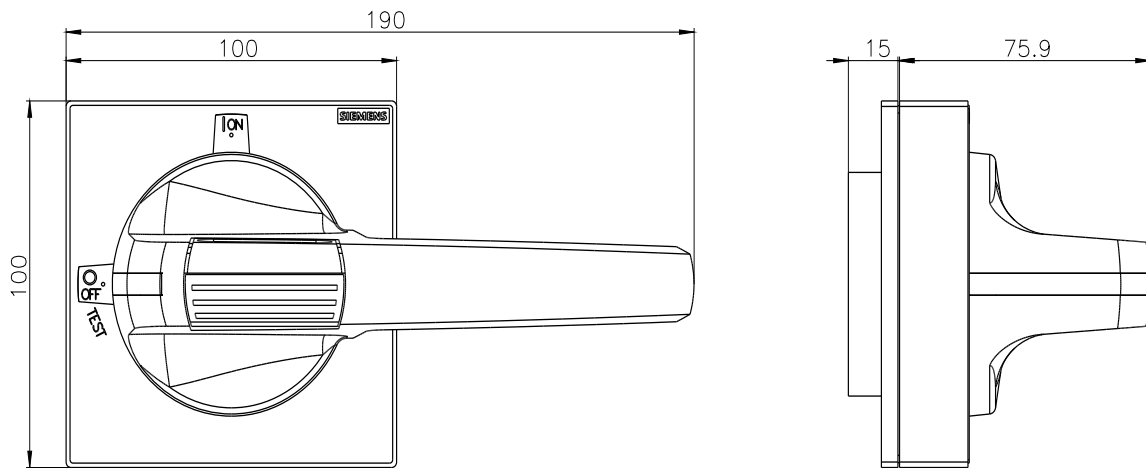
<https://www.siemens.com/cax>

Tender specifications

<https://www.siemens.com/specifications>

Characteristic curves

[https://curves.simaris.siemens.com/curves/<mmp_prod_noCOMP="HAUPT"></mmp_prod_no>](https://curves.simaris.siemens.com/curves/<mmp_prod_noCOMP=)



last modified:

4/4/2025 