

handle with masking plate EMERGENCY-STOP size 100x 100, for shaft 10x 10, I-0-II, handle size 140mm accessory for 3KC0 size 4



Model	
product brand name	SETRON
product designation	handle with masking plate
design of the product	EMERGENCY OFF
design of handle	Red-yellow
design of the door lock system	Door interlocking
size of cross-section of the shaft of door-coupling rotary operating mechanism	10x10 mm
size format of the masking frame of door-coupling rotary operating mechanism	100x 100 mm
length of handle	140 mm
protection class IP	IP65
suitability for use	for 3KD size 4, 3KF size 4

Product details	
product description	without lighting
product feature interlock	Yes
product component	
• extension shaft	No
• handle for emergency-OFF function	Yes
product feature lockable	Yes

Accessories	
accessories	Handle with masking frame
display version for switch position indicator	I-0-II

Mechanical Design	
height	198 mm
width	195 mm
depth	105 mm
Net Weight	511 g

Approvals Certificates		
Environment	General Product Approval	Maritime application

[Environmental Confirmations](#)



[Confirmation](#)



other



Further information

Information on the packaging

<https://support.industry.siemens.com/cs/ww/en/view/109813875>

Information for data generation and storage

<https://support.industry.siemens.com/cs/ww/en/view/109995012>

Information- and Downloadcenter (Catalogs, Brochures,...)

<https://www.siemens.com/lowvoltage/catalogs>

Industry Mall (Online ordering system)

<https://mall.industry.siemens.com/mall/en/en/Catalog/product?mlfb=8UD1851-3AE05>

Service&Support (Manuals, Certificates, Characteristics, FAQs,...)

<https://support.industry.siemens.com/cs/ww/en/ps/8UD1851-3AE05>

Image database (product images, 2D dimension drawings, 3D models, device circuit diagrams, ...)

https://www.automation.siemens.com/bilddb/cax_en.aspx?mlfb=8UD1851-3AE05

CAx-Online-Generator

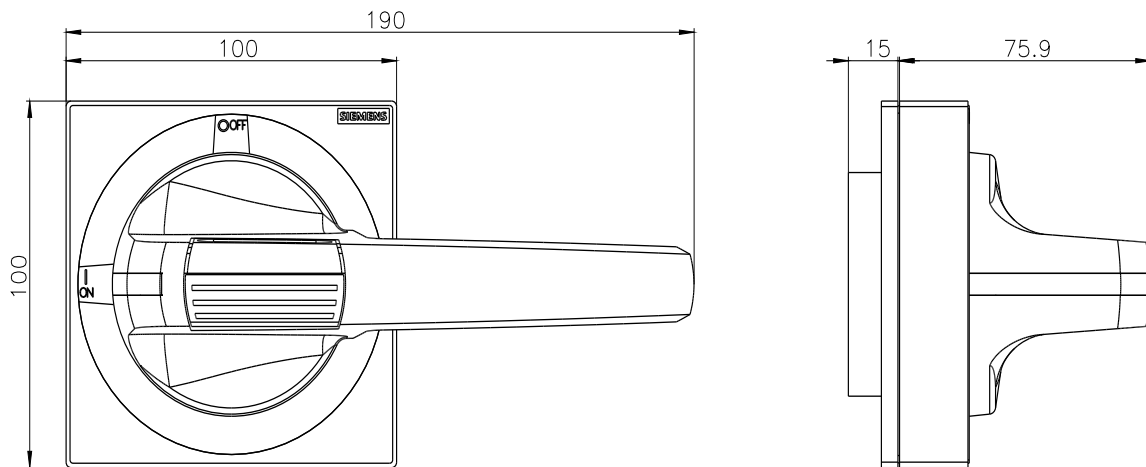
<https://www.siemens.com/cax>

Tender specifications

<https://www.siemens.com/specifications>

Characteristic curves

[https://curves.simaris.siemens.com/curves/<mmp_prod_noCOMP="HAUPT"></mmp_prod_no>](https://curves.simaris.siemens.com/curves/<mmp_prod_noCOMP=)



last modified:

4/4/2025

