






handle with masking plate EMERGENCY-STOP illuminated size 100x 100, for shaft 8x 8, test-0-I, handle size 100mm accessory for 3KD size 3 3KF size 2 and 3



Model	
product brand name	SETRON
product designation	handle with masking plate
design of the product	EMERGENCY OFF
design of handle	Red-yellow
design of the door lock system	Door interlocking
size of cross-section of the shaft of door-coupling rotary operating mechanism	8x8 mm
size format of the masking frame of door-coupling rotary operating mechanism	100x 100 mm
length of handle	100 mm
protection class IP	IP65
suitability for use	for 3KD size 3, 3KF size 2 and 3
Product details	
product description	with illumination
product feature interlock	Yes
product component	
• extension shaft	No
• handle for emergency-OFF function	Yes
product feature lockable	Yes
Accessories	
accessories	Handle with masking frame
display version for switch position indicator	test-0-I
Mechanical Design	
height	198 mm
width	195 mm
depth	105 mm
Net Weight	0.645 kg
Approvals Certificates	
Environment	General Product Approval
<a href="#">Environmental Confirmations</a>	    
Maritime application	other

#### Further information

**Information on the packaging**

<https://support.industry.siemens.com/cs/ww/en/view/109813875>

**Information for data generation and storage**

<https://support.industry.siemens.com/cs/ww/en/view/109995012>

**Information- and Downloadcenter (Catalogs, Brochures,...)**

<https://www.siemens.com/lowvoltage/catalogs>

**Industry Mall (Online ordering system)**

<https://mall.industry.siemens.com/mall/en/en/Catalog/product?mlfb=8UD1841-2CF05>

**Service&Support (Manuals, Certificates, Characteristics, FAQs,...)**

<https://support.industry.siemens.com/cs/ww/en/ps/8UD1841-2CF05>

**Image database (product images, 2D dimension drawings, 3D models, device circuit diagrams, ...)**

[https://www.automation.siemens.com/bilddb/cax\\_en.aspx?mlfb=8UD1841-2CF05](https://www.automation.siemens.com/bilddb/cax_en.aspx?mlfb=8UD1841-2CF05)

**CAX-Online-Generator**

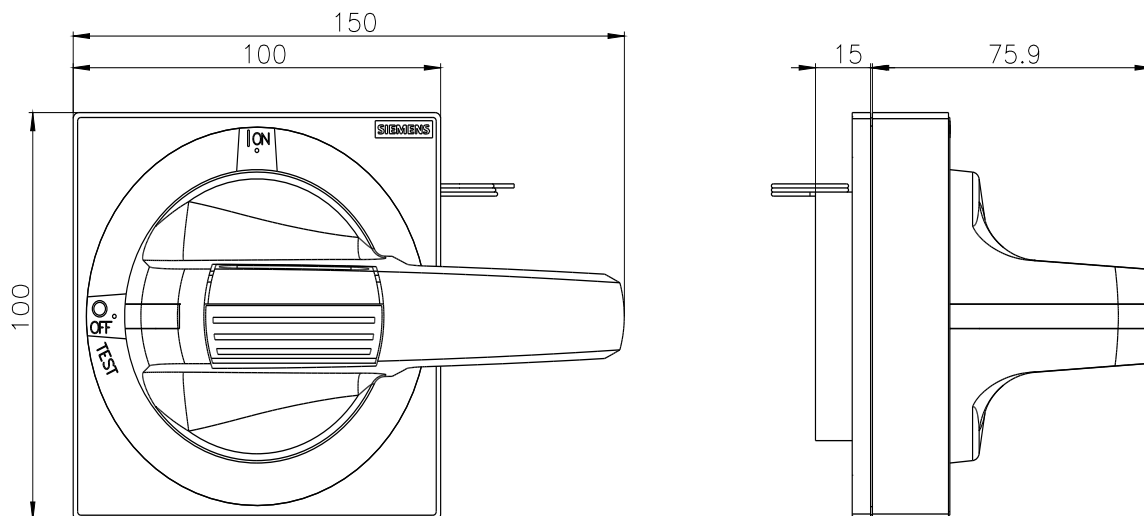
<https://www.siemens.com/cax>

**Tender specifications**

<https://www.siemens.com/specifications>

**Characteristic curves**

[https://curves.simaris.siemens.com/curves/<mmp\\_prod\\_noCOMP="HAUPT"></mmp\\_prod\\_no>](https://curves.simaris.siemens.com/curves/<mmp_prod_noCOMP=)



last modified:

4/4/2025

