



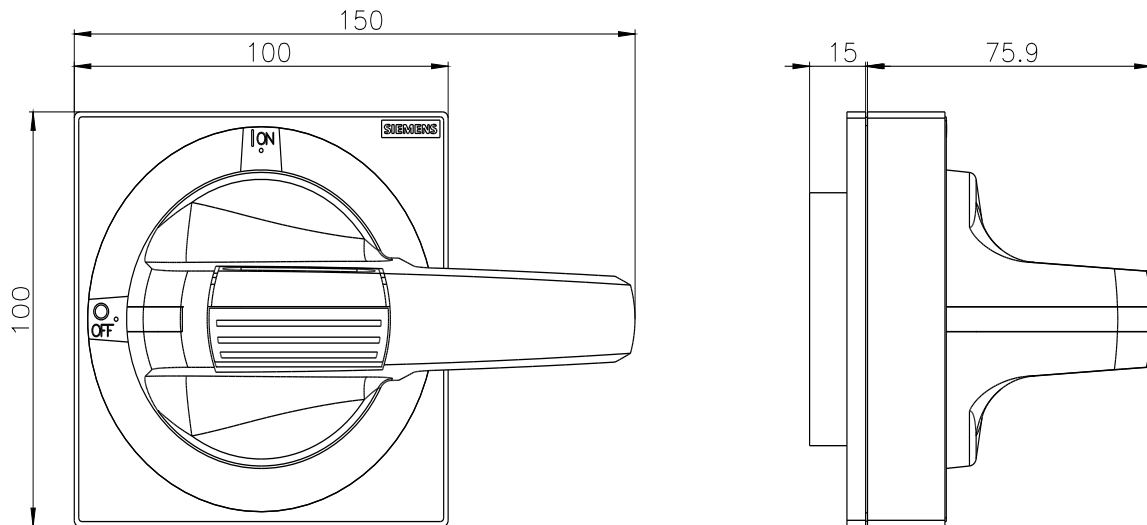


handle with masking plate EMERGENCY-STOP size 100 x 100, for shaft 8 x 8, 0-I, handle size 100mm accessory for 3KD size 3 3KF size 2 and 3



Model			
product brand name	SETRON		
product designation	handle with masking plate		
design of the product	EMERGENCY OFF		
design of handle	Red-yellow		
design of the door lock system	Door interlocking		
size of cross-section of the shaft of door-coupling rotary operating mechanism	8x8 mm		
size format of the masking frame of door-coupling rotary operating mechanism	100x 100 mm		
length of handle	100 mm		
protection class IP	IP65		
suitability for use	for 3KD size 3, 3KF size 2 and 3		
Product details			
product description	without lighting		
product feature interlock	Yes		
product component			
• extension shaft	No		
• handle for emergency-OFF function	Yes		
product feature lockable	Yes		
Accessories			
accessories	Handle with masking frame		
display version for switch position indicator	0-I		
Mechanical Design			
height	198 mm		
width	195 mm		
depth	105 mm		
Net Weight	661 g		
Approvals Certificates			
Environment	General Product Approval		
Environmental Confirmations    Confirmation 			
General Product Approval	Test Certificates	Maritime application	other

Further information**Information on the packaging**<https://support.industry.siemens.com/cs/ww/en/view/109813875>**Information for data generation and storage**<https://support.industry.siemens.com/cs/ww/en/view/109995012>**Information- and Downloadcenter (Catalogs, Brochures,...)**<https://www.siemens.com/lowvoltage/catalogs>**Industry Mall (Online ordering system)**<https://mall.industry.siemens.com/mall/en/en/Catalog/product?mlfb=8UD1841-2AD05>**Service&Support (Manuals, Certificates, Characteristics, FAQs,...)**<https://support.industry.siemens.com/cs/ww/en/ps/8UD1841-2AD05>**Image database (product images, 2D dimension drawings, 3D models, device circuit diagrams, ...)**https://www.automation.siemens.com/bilddb/cax_en.aspx?mlfb=8UD1841-2AD05**CAx-Online-Generator**<https://www.siemens.com/cax>**Tender specifications**<https://www.siemens.com/specifications>**Characteristic curves**[https://curves.simaris.siemens.com/curves/<mmp_prod_noCOMP="HAUPT"></mmp_prod_no>](https://curves.simaris.siemens.com/curves/<mmp_prod_noCOMP=)

last modified:

4/4/2025

