

Handle with masking frame standard with tolerance compensation Accessory for:
3VA1/2 1000



Model	
product brand name	SETRON
product designation	handle with masking plate
design of the product	standard with tolerance compensation
size of cross-section of the shaft of door-coupling rotary operating mechanism	12x12 mm
size format of the masking frame of door-coupling rotary operating mechanism	100x 100 mm
length of handle	140 mm
suitability for use	for 3VA1/2 1000

Product details	
product description	without lighting

Mechanical Design	
Net Weight	967 g

Approvals Certificates	
Environment	General Product Approval

[Environmental Confirmations](#)



[Confirmation](#)



Test Certificates		
Maritime application	other	

[Type Test Certificates/Test Report](#)



[Confirmation](#)



[Miscellaneous](#)

Further information	
---------------------	--

- Information on the packaging
<https://support.industry.siemens.com/cs/ww/en/view/109813875>
- Information for data generation and storage
<https://support.industry.siemens.com/cs/ww/en/view/109995012>
- Information- and Downloadcenter (Catalogs, Brochures,...)
<https://www.siemens.com/lowvoltage/catalogs>
- Industry Mall (Online ordering system)
<https://mall.industry.siemens.com/mall/en/en/Catalog/product?mlfb=8UD1741-0AB21>
- Service&Support (Manuals, Certificates, Characteristics, FAQs,...)
<https://support.industry.siemens.com/cs/ww/en/ps/8UD1741-0AB21>
- Image database (product images, 2D dimension drawings, 3D models, device circuit diagrams, ...)
https://www.automation.siemens.com/bilddb/cax_en.aspx?mlfb=8UD1741-0AB21

CAX-Online-Generator

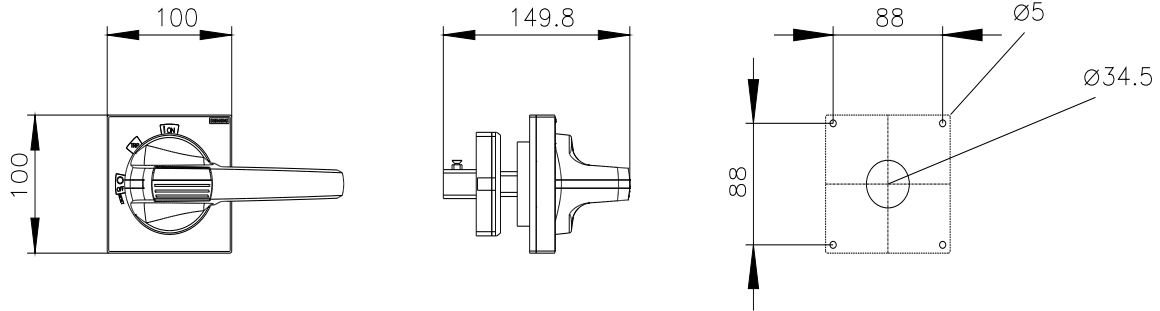
<https://www.siemens.com/cax>

Tender specifications

<https://www.siemens.com/specifications>

Characteristic curves

https://curves.simaris.siemens.com/curves/<mmp_prod_noCOMP='HAUPT'></mmp_prod_no>



last modified:

5/24/2025 

