

Handle with masking frame Emergency stop without tolerance compensation  
Accessory for: 3VA1/2 1000



Model	
product brand name	SETRON
product designation	handle with masking plate
design of the product	EMERGENCY OFF without tolerance compensation
size of cross-section of the shaft of door-coupling rotary operating mechanism	12x12 mm
size format of the masking frame of door-coupling rotary operating mechanism	100x 100 mm
length of handle	140 mm
suitability for use	for 3VA1/2 1000
Product details	
product description	without lighting
Mechanical Design	
Net Weight	741 g
Approvals Certificates	
Environment	General Product Approval

[Environmental Confirmations](#)



[Confirmation](#)



Test Certificates	Maritime application	other
<a href="#">Type Test Certificates/Test Report</a>		

[Type Test Certificates/Test Report](#)



[Miscellaneous](#)

[Confirmation](#)

### Further information

#### Information on the packaging

<https://support.industry.siemens.com/cs/ww/en/view/109813875>

#### Information for data generation and storage

<https://support.industry.siemens.com/cs/ww/en/view/109995012>

#### Information- and Downloadcenter (Catalogs, Brochures,...)

<https://www.siemens.com/lowvoltage/catalogs>

#### Industry Mall (Online ordering system)

<https://mall.industry.siemens.com/mall/en/en/Catalog/product?mlfb=8UD1741-0AB15>

#### Service&Support (Manuals, Certificates, Characteristics, FAQs,...)

<https://support.industry.siemens.com/cs/ww/en/ps/8UD1741-0AB15>

#### Image database (product images, 2D dimension drawings, 3D models, device circuit diagrams, ...)

[https://www.automation.siemens.com/bilddb/cax\\_en.aspx?mlfb=8UD1741-0AB15](https://www.automation.siemens.com/bilddb/cax_en.aspx?mlfb=8UD1741-0AB15)

CAX-Online-Generator

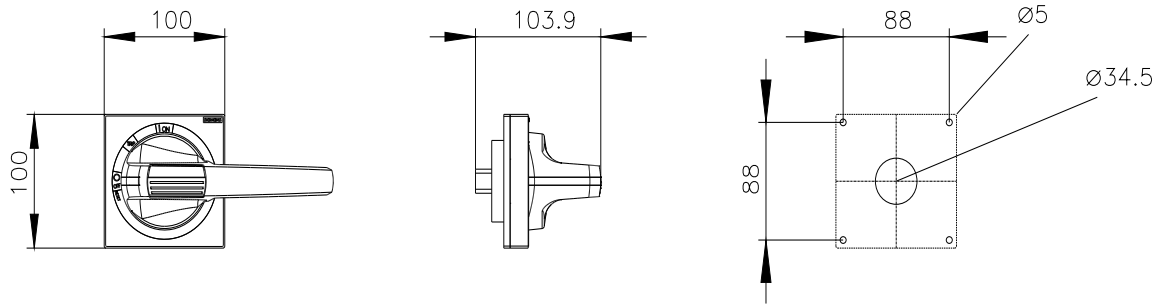
<https://www.siemens.com/cax>

Tender specifications

<https://www.siemens.com/specifications>

Characteristic curves

[https://curves.simarisiemens.com/curves/?mmp\\_prod\\_noCOMP='HAUPT'></mmp\\_prod\\_no>](https://curves.simarisiemens.com/curves/?mmp_prod_noCOMP='HAUPT'></mmp_prod_no>)



last modified:

5/24/2025 

