






Handle with masking frame Emergency switching-off Size 75x 75, for shaft 8x 8, Test-0-I, Handle size 55 mm

Model			
product brand name	SETRON		
product designation	handle with masking plate		
design of the product	EMERGENCY OFF		
design of handle	Red-yellow		
design of the door lock system	Door interlocking		
size of cross-section of the shaft of door-coupling rotary operating mechanism	8x8 mm		
size format of the masking frame of door-coupling rotary operating mechanism	75x 75 mm		
length of handle	55 mm		
protection class IP	IP65		
Product details			
product description	without lighting		
product feature interlock	Yes		
product component			
• extension shaft	No		
• handle for emergency-OFF function	Yes		
product feature lockable	Yes		
Accessories			
accessories	Handle with masking frame		
display version for switch position indicator	test-0-I		
Mechanical Design			
height	84 mm		
width	84 mm		
depth	80 mm		
Net Weight	174 g		
Approvals Certificates			
Environment	General Product Approval	Maritime application	other
<a href="#">Environmental Confirmations</a>		<a href="#">Confirmation</a>	
			<a href="#">Confirmation</a>
other			



Further information

Information on the packaging

<https://support.industry.siemens.com/cs/ww/en/view/109813875>

Information for data generation and storage

<https://support.industry.siemens.com/cs/ww/en/view/109995012>

Information- and Downloadcenter (Catalogs, Brochures,...)

<https://www.siemens.com/lowvoltage/catalogs>

Industry Mall (Online ordering system)

<https://mall.industry.siemens.com/mall/en/en/Catalog/product?mlfb=8UD1731-2AF05>

Service&Support (Manuals, Certificates, Characteristics, FAQs,...)

<https://support.industry.siemens.com/cs/ww/en/ps/8UD1731-2AF05>

Image database (product images, 2D dimension drawings, 3D models, device circuit diagrams, ...)

[https://www.automation.siemens.com/bilddb/cax\\_en.aspx?mlfb=8UD1731-2AF05](https://www.automation.siemens.com/bilddb/cax_en.aspx?mlfb=8UD1731-2AF05)

CAX-Online-Generator

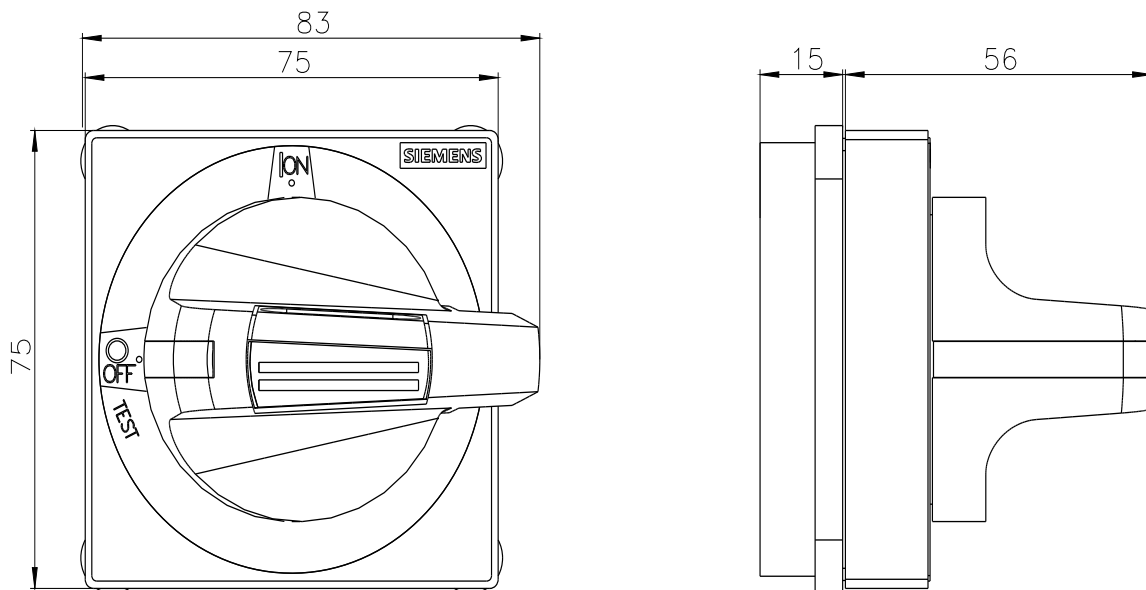
<https://www.siemens.com/cax>

Tender specifications

<https://www.siemens.com/specifications>

Characteristic curves

[https://curves.simaris.siemens.com/curves/<mmp\\_prod\\_noCOMP="HAUPT"></mmp\\_prod\\_no>](https://curves.simaris.siemens.com/curves/<mmp_prod_noCOMP=)



last modified:

4/4/2025