







Handle with masking frame Emergency switching-off Size 75x 75, for shaft 8x 8, I-0-II, Handle size 55 mm Accessory for 3KC0 size 1 and 2

Model		
product brand name	SETRON	
product designation	handle with masking plate	
design of the product	EMERGENCY OFF	
design of handle	Red-yellow	
design of the door lock system	Door interlocking	
size of cross-section of the shaft of door-coupling rotary operating mechanism	8x8 mm	
size format of the masking frame of door-coupling rotary operating mechanism	75x 75 mm	
length of handle	55 mm	
protection class IP	IP65	
suitability for use	for 3KC0 size 1 and 2	
Product details		
product description	without lighting	
product feature interlock	Yes	
product component		
• extension shaft	No	
• handle for emergency-OFF function	Yes	
product feature lockable	Yes	
Accessories		
accessories	Handle with masking frame	
display version for switch position indicator	I-0-II	
Mechanical Design		
height	84 mm	
width	84 mm	
depth	80 mm	
Net Weight	172 g	
Approvals Certificates		
Environment	General Product Approval	Maritime application
Environmental Confirmations	 Confirmation	  
other		



Further information

Information on the packaging

<https://support.industry.siemens.com/cs/ww/en/view/109813875>

Information for data generation and storage

<https://support.industry.siemens.com/cs/ww/en/view/109995012>

Information- and Downloadcenter (Catalogs, Brochures,...)

<https://www.siemens.com/lowvoltage/catalogs>

Industry Mall (Online ordering system)

<https://mall.industry.siemens.com/mall/en/en/Catalog/product?mlfb=8UD1731-2AE05>

Service&Support (Manuals, Certificates, Characteristics, FAQs,...)

<https://support.industry.siemens.com/cs/ww/en/ps/8UD1731-2AE05>

Image database (product images, 2D dimension drawings, 3D models, device circuit diagrams, ...)

https://www.automation.siemens.com/bilddb/cax_en.aspx?mlfb=8UD1731-2AE05

CAx-Online-Generator

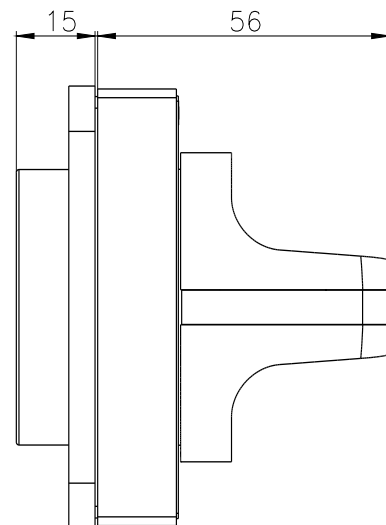
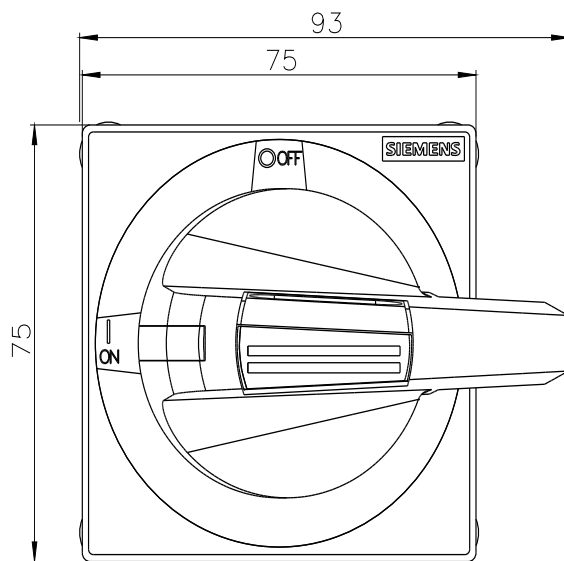
<https://www.siemens.com/cax>

Tender specifications

<https://www.siemens.com/specifications>

Characteristic curves

[https://curves.simaris.siemens.com/curves/<mmp_prod_noCOMP="HAUPT"></mmp_prod_no>](https://curves.simaris.siemens.com/curves/<mmp_prod_noCOMP=)



last modified:

4/4/2025

