



connection terminal 35 mm<sup>2</sup>, 480/277 V for infed MCB 5SJ4...-HG

Model	
product brand name	SENTRON
product designation	Connecting terminal
design of the product	35 mm <sup>2</sup> , 480/277 V for pin busbar UL 489, can be cut
Supply voltage	
operating voltage at AC rated value	1 000 V
Connections	
tightening torque	
• minimum	4 N·m
• maximum	5.5 N·m
type of connectable conductor cross-sections for copper conductor stranded	6 - 35 mm <sup>2</sup>
Mechanical Design	
height	31.1 mm
width	16.2 mm
depth	25.7 mm
length	84.7 mm
Net Weight	38 g
Approvals Certificates	
Environment	General Product Approval

[Environmental Conformations](#)

[Environmental Conformations](#)

[Miscellaneous](#)

[Confirmation](#)



General Product Approval	other
	<p><a href="#">Confirmation</a></p>

**Further information**

Information on the packaging  
<https://support.industry.siemens.com/cs/ww/en/view/109813875>  
 Information for data generation and storage  
<https://support.industry.siemens.com/cs/ww/en/view/109995012>  
 Information- and Downloadcenter (Catalogs, Brochures,...)  
<https://www.siemens.com/lowvoltage/catalogs>  
 Industry Mall (Online ordering system)

<https://mall.industry.siemens.com/mall/en/en/Catalog/product?mlfb=5ST3770-3HG>

Service&Support (Manuals, Certificates, Characteristics, FAQs,...)

<https://support.industry.siemens.com/cs/ww/en/ps/5ST3770-3HG>

Image database (product images, 2D dimension drawings, 3D models, device circuit diagrams, ...)

[https://www.automation.siemens.com/bilddb/cax\\_en.aspx?mlfb=5ST3770-3HG](https://www.automation.siemens.com/bilddb/cax_en.aspx?mlfb=5ST3770-3HG)

CAX-Online-Generator

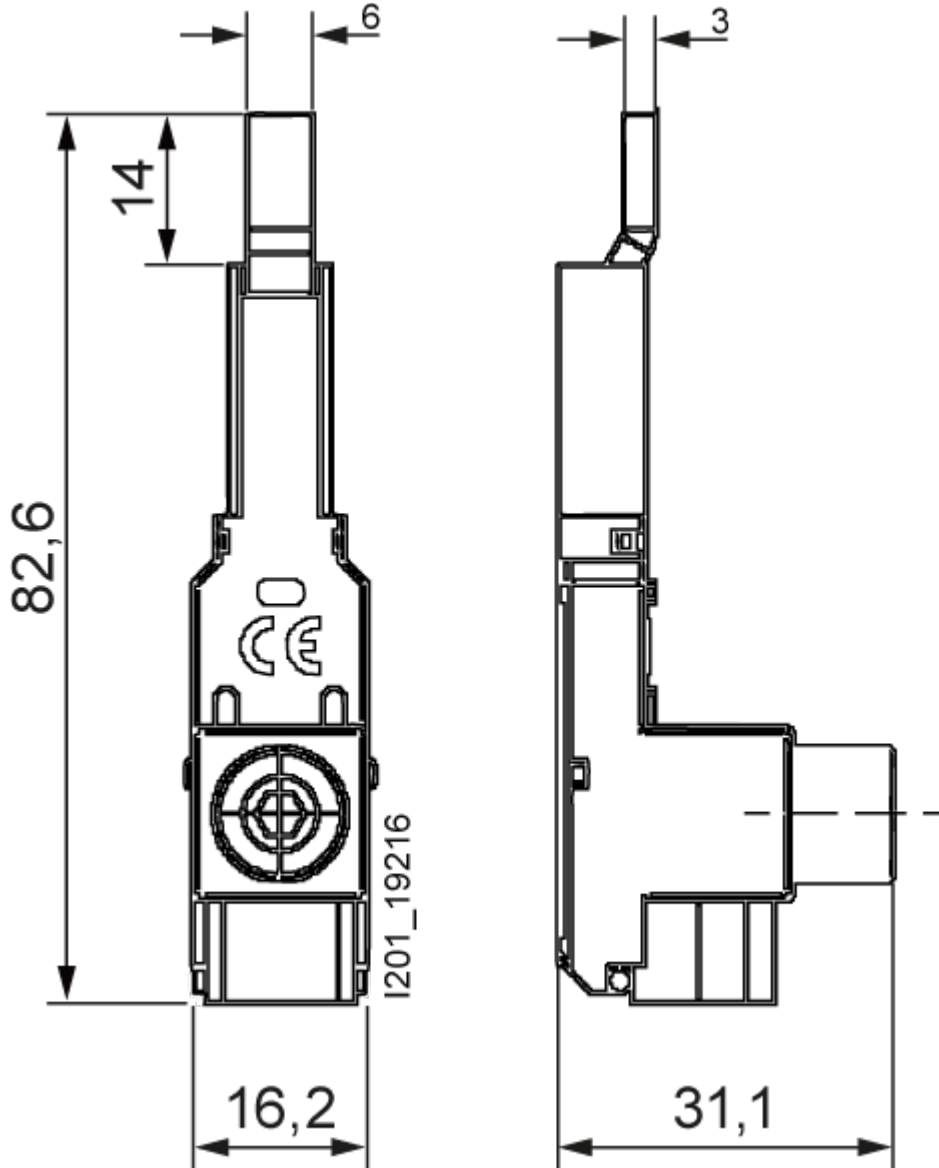
<https://www.siemens.com/cax>

Tender specifications

<https://www.siemens.com/specifications>

Characteristic curves

[https://curves.simaris.siemens.com/curves/<mmp\\_prod\\_noCOMP="HAUPT"></mmp\\_prod\\_no>](https://curves.simaris.siemens.com/curves/<mmp_prod_noCOMP=)



last modified:

4/4/2025

