

adapter and screw for compensation of the mounting depth for metal switches for twist lever adjustable length and rod lever 3SE51, for modification of 3SE21 (3SE21.0-.UW/VW/WW/U/V/W) to 3SE51



| General technical data | |
|--------------------------|---|
| product brand name | SIRIUS |
| product designation | Adapter for offsetting the overall depth for metal switches |
| Certificates/ approvals | |
| General Product Approval | other |



[Confirmation](#)

[Confirmation](#)



Environment

[Environmental Confirmations](#)

Further information

Information on the packaging

<https://support.industry.siemens.com/cs/ww/en/view/109813875>

Information for data generation and storage

<https://support.industry.siemens.com/cs/ww/en/view/109995012>

Information- and Downloadcenter (Catalogs, Brochures,...)

<https://www.siemens.com/ic10>

Industry Mall (Online ordering system)

<https://mall.industry.siemens.com/mall/en/en/Catalog/product?mlfb=3SX5100-3B>

Cax online generator

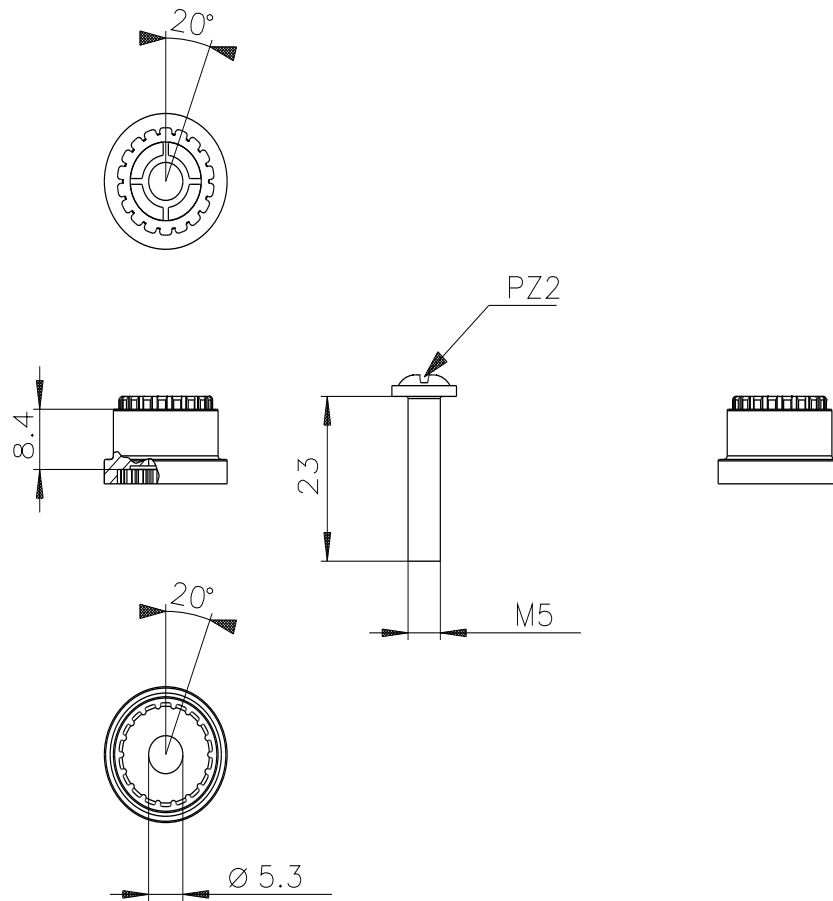
<https://support.automation.siemens.com/WW/CAXorder/default.aspx?lang=en&mlfb=3SX5100-3B>

Service&Support (Manuals, Certificates, Characteristics, FAQs,...)

<https://support.industry.siemens.com/cs/ww/en/ps/3SX5100-3B>

Image database (product images, 2D dimension drawings, 3D models, device circuit diagrams, EPLAN macros, ...)

https://www.automation.siemens.com/bilddb/cax_de.aspx?mlfb=3SX5100-3B&lang=en



last modified:

4/2/2025 